

**300**  
Digital Effects  
System

V 3.0  
Owner's  
Manual

**lexicon**

## Unpacking and Inspection

After unpacking the 300, save all packing materials in case you ever need to ship the unit. Thoroughly inspect the 300 and packing materials for signs of damage. Report any shipment damage to the carrier at once; report equipment malfunction to your dealer.

## Precautions

The Lexicon 300 is a rugged device with extensive electronic protection. However, you should observe the same reasonable precautions that apply to any piece of audio equipment.

- Always use the correct line voltage. Refer to Chapter 1 of this manual for power requirements.
- Don't install the 300 in an unventilated rack, or directly above heat-producing equipment such as power amplifiers. Maximum ambient operating temperature is 35°C (95°F).
- Never attach audio power amplifier outputs directly to any of the 300's connectors.
- Before turning the 300 on or off, mute your monitor speakers to avoid possible damage from transients.
- To prevent fire or shock hazard, do not expose the 300 to rain or moisture.

## Notice

This equipment generates and uses radio frequency energy and if not installed and used properly, that is, in strict accordance with the manufacturer's instructions, may cause interference to radio and television reception. It has been type tested and found to comply with the limits for a Class A computing device in accordance with the specifications in Subpart J of Part 15 of FCC Rules, which are designated to provide reasonable protection against such interference in a residential installation. However, there is no guarantee that interference will not occur in a particular installation. If this equipment does cause interference to radio or television reception, which can be determined by turning the equipment OFF and ON, the user is encouraged to try to correct the interference by one or more of the following measures:

- Reorient the receiving antenna
- Relocate the computer with respect to the receiver
- Move the computer away from the receiver
- Plug the computer into a different outlet so that the computer and receiver are on different branch circuits.

If necessary, the user should consult the dealer or an experienced radio/television technician for additional suggestions. The user may find the following booklet prepared by the Federal Communications Commission helpful:

"How to identify and Resolve Radio/TV Interference Problems."

This booklet is available from the U.S. Government Printing Office, Washington, DC 20402, Stock No. 004-000-00345-4.

Le présent appareil numérique n'émet pas de bruits radioélectriques dépassant les limites applicables aux appareils numériques de la class A prescrites dans le Règlement sur le brouillage radioélectrique édicté par le ministère des Communications du Canada.

This triangle, which appears on your component, alerts you to the presence of uninsulated, dangerous voltage inside the enclosure... voltage that may be sufficient to constitute a risk of shock.



This triangle, which appears on your component, alerts you to important operating and maintenance instructions in this accompanying literature.

Copyright ©1993  
All Rights Reserved.

Lexicon Part #070-09678

Lexicon Inc.  
3 Oak Park  
Bedford, MA 01730 USA  
Tel 781-280-0300  
Fax 781-280-0499

---

# Contents

## Introduction

### 1. Installing the 300

Mounting .....	1-2
Power Requirements .....	1-2
The Rear Panel .....	1-3
Connectors, Cables and Configurations .....	1-4
Connectors .....	1-4
Cables .....	1-5
Setting Analog Audio Levels .....	1-6
Configurations .....	1-7

### 2. System Overview

Terms used in this manual .....	2-2
The Front Panel .....	2-4
Overview of Front Panel Controls .....	2-5
Overview of the 300 Display .....	2-6
System Overview .....	2-7

### 3. System Operation

Getting Started .....	3-2
Selecting digital input and/or changing analog sampling rate .....	3-3
Single Setups .....	3-4
Dual Mono Setups .....	3-5
Cascade Setups .....	3-7
Setup Select Mode .....	3-9
The Setup Presets .....	3-9
Using the Soft Knob as a Parameter Controller .....	3-12
Setup Edit Mode .....	3-13
Single Setups .....	3-13
Dual Mono and Cascade Setups .....	3-15
Naming the Setup .....	3-17
Storing the Setup .....	3-17
Effect Edit Mode .....	3-18
Parameter Selection .....	3-18
Naming and Storing Effects .....	3-19
Mod Edit Mode .....	3-20
Soft Knob Patches .....	3-21
Control Mode .....	3-22
Time Code Event List .....	3-22
MIDI Mode and Map Table .....	3-23
Machine Configuration .....	3-24
Digital Interface and Sampling Rates .....	3-24
SCMS Mode .....	3-25
Emphasis .....	3-25
Bypass/Effect Load Mode .....	3-26
Copy Tools .....	3-26
Purge Tools .....	3-27

<b>Contents, cont'd.</b>	<b>4. The Algorithms and their Parameters</b>	
	Single Setup Algorithms .....	4-2
	Random Hall .....	4-2
	Random Ambience .....	4-8
	Rich Plate .....	4-11
	Stereo Pitch Shift .....	4-15
	Stereo Adjust .....	4-18
	"Split" Setup Algorithms .....	4-23
	Dual Delays .....	4-23
	Split Chamber .....	4-26
	Mono Pitch Shift .....	4-29
	Compressor .....	4-31
	PONS (Psychoacoustically Optimized Noise Shaping) .....	4-33
	Small Stereo Adjust .....	4-34
	<b>5. The Presets</b>	
	Single Setup (and Effect) Presets .....	5-2
	Split Setup Presets and Their Effects .....	5-6
	Split Setup Effect Descriptions .....	5-20
	Effect Preset Parameters .....	5-25
	Effect Presets Using the Random Hall Algorithm .....	5-25
	Effect Presets Using the Random Ambience Algorithm .....	5-27
	Effect Presets Using the Rich Plate Algorithm .....	5-28
	Effect Presets Using the Stereo Adjust Algorithm .....	5-29
	Effect Presets Using the Stereo Pitch Shift Algorithm .....	5-30
	Effect Presets Using the Dual Delays Algorithm .....	5-31
	Effect Presets Using the Split Chamber Algorithm .....	5-34
	Effect Presets Using the Mono Pitch Shift Algorithm .....	5-36
	Effect Presets Using the Compressor Algorithm .....	5-36
	Effect Presets Using the PONS Algorithm .....	5-36
	Effect Presets Using the Small Stereo Adjust Algorithm .....	5-36
	<b>6. Time Code Operation</b>	
	Using Time Code .....	6-2
	The Event List .....	6-3
	Using time code to initiate program changes .....	6-3
	Snapping events .....	6-4
	Editing the List .....	6-4
	Trimming Time Codes in the Event List .....	6-5
	Programming Parameter Glides .....	6-6
	Things to Consider about Glides .....	6-8
	Adding an event .....	6-9
	Deleting an event .....	6-9
	Dumping the List to MIDI storage devices .....	6-9
	Event List Log Sheet .....	6-10

<b>7. MIDI Operation</b>	
MIDI Connections .....	7-2
Setting MIDI Channels .....	7-3
Dynamic MIDI .....	7-4
Using MIDI Program Change Messages with the 300 .....	7-5
MIDI Table mode .....	7-5
Editing the MIDI Table .....	7-5
Real-time MIDI Effects Automation .....	7-6
Using Real-time SysEx and Non-registered Parameters .....	7-6
Using Dynamic MIDI® to transmit and receive MIDI	
Controller Information .....	7-7
Using SysEx and Dynamic MIDI® Patches .....	7-7
Controlling Multiple 300s .....	7-7
MIDI Dumps of Current Setup, Event List, MIDI Table, and	
All Registers .....	7-8
<b>8. Troubleshooting</b>	
Low Voltage .....	8-2
Overheating .....	8-2
Common MIDI Problems .....	8-2
Common Time Code Problems .....	8-3
Common Digital Interfacing Problems .....	8-3
<b>9. MIDI Implementation Chart</b>	
<b>10. Specifications</b>	



---

## Introduction

Congratulations on your purchase of the 300 Digital Effects System! The 300 not only contains the finest sounds, as you've come to expect from Lexicon, it incorporates new functions that satisfy the needs of today's audio production.

### **Analog and Digital Audio Interfacing**

For both analog and digital use the 300 takes full advantage of recent advances in converter technology and combines them with flexible digital interfacing.

The A/D and D/A converters use oversampling techniques to minimize low-level distortion and provide linear phase characteristics. 64x oversampling Delta/Sigma conversion is used in the A/Ds; 8x oversampling is used in the D/As. The result is sonic transparency without the artifacts normally encountered in conversion.

The digital I/O simplifies interfacing with both the AES/EBU professional and the EIAJ consumer format. XLR, RCA and Optical connectors are provided for both input and output. The digital inputs of the 300 will automatically accept and lock to any AES/EBU/SPDIF format; the 300's digital output format is user-selectable for feeding either professional or consumer equipment. This allows for format conversion as well as using the high quality A/D converters to feed digital recorders. Control of additional Channel Status information is provided as well.

### **Dual DSP Architecture**

The 300 utilizes two proprietary high performance DSP engines. The configuration of these engines can be determined by the end-user to suit a particular audio application. The Single Setup configuration unites both DSP engines. Two "split" configurations: Dual Mono and Cascade, allow each DSP engine to run a special program especially designed for "Split" applications. The Single algorithms include: Random Hall, Random Ambience, Rich Plate, Stereo Pitch Shift, and Stereo Adjust. The "split" algorithms include: Dual Delays, Chamber, Mono Pitch Shift, Compressor, a special mastering dither program called PONS (Psychoacoustically Optimized Noise Shaping), and a small version of Stereo Adjust.

### **Comprehensive Effects Automation**

The 300 makes effects automation available in three different ways. If you use time code, the 300's Event List and Time Code Reader add a new twist to effects processing. Each entry in the 50-item list contains a time code value and a 300 effect preset/register number, allowing incoming time code to trigger setup and effect changes, as well as setup and effect parameter glides. For changing effects in music or changing rooms and environments for film and video, the 300's time code capability opens new avenues to all time code users.

Dynamic MIDI® is included for real-time performance control and effects automation. All parameters in the 300 can be patched to most MIDI controllers, allowing full control from remote devices. For full MIDI automation all parameter changes can be recorded on any sequencer. For additional control, complete System Exclusive information is available.

### **Lexicon Sound**

Even with the best functions and features, the heart of any signal processor is its sound. The 300 contains the very best of the Lexicon Sound — with new refinements such as dynamic size parameters in the Reverb and Ambience algorithms. We have also included stereo and mono pitch shifting, delay effects, a mastering algorithm with precision level/balance controls and equalization. These sounds, combined with analog and digital audio I/O, time code based effect change, an internal LFO, and full MIDI automation result in a system that provides new creative options each time you use it.

We're confident you'll find that the 300's combination of state-of-the-art sound and extraordinary versatility is exactly what you're looking for — to make sure you don't miss out on anything, we'd like you to read this manual. It provides a thorough explanation of both front panel and MIDI operation, digital and analog interfacing, descriptions of the effects and presets, and complete MIDI Implementation data — all the information you need to access the full power of the 300.





# 1

---

## Installing the 300

**Mounting** Before rack-mounting the 300, you may want to remove the four rubber feet attached to the bottom of the 300 chassis. Gently pry off the black plastic buttons in the center of each foot, then remove the foot itself.

The 300 measures 19"W x 3.50"H x 13.9"D (483 x 90 x 353 mm). It uses two EIA-standard rack spaces and can be mounted on any level surface or in a standard 19 inch (483 mm) rack. Whatever mounting method you use, make sure that the 300 is securely screwed into the rack adapter. If the 300 is mounted in a rack or road case, support the rear of the chassis to prevent possible damage from mechanical shock and vibration.

**Power Requirements** The 300 is equipped with a 3-pin IEC power connector and detachable cord, providing chassis grounding to the AC mains line. Plug the female end of the power cord into the 300, and the male end into a wall outlet.

The 300 is internally wired to operate at 100, 120, 220 or 240 VAC. The operating voltage set at the factory is marked on a label attached to the rear panel. Check the label *before* applying power to the unit.

If the voltage must be changed, refer a qualified technician to the Voltage Changeover procedure in the 300 Service Manual.

## The Rear Panel

### Digital Inputs and Outputs

#### Inputs

Three connectors are provided for digital input:

**AES/EBU professional format (1):**

3-pin female XLR

**S/PDIF EIAJ CP-340 consumer format (2):**

unbalanced coaxial RCA

optical (fiber-optic)

One of these connectors may be selected for digital input.

#### Outputs

Output format can be AES/EBU or S/PDIF. Output always goes to all three digital outputs.

Digital interfaces conform to both the AES ANSI S4.40-1985 spec and the EBU doc tech 3250. Input/output impedance levels of the AES/EBU connectors comply with the CCITT V.11 EIA-422A specification.

### Analog Inputs and Outputs

3-pin XLR connectors, electronically balanced.

Either pin 2 or pin 3 can be used as high but, to maintain polarity when transferring data to the digital domain, pin 2 high convention is used by Lexicon.

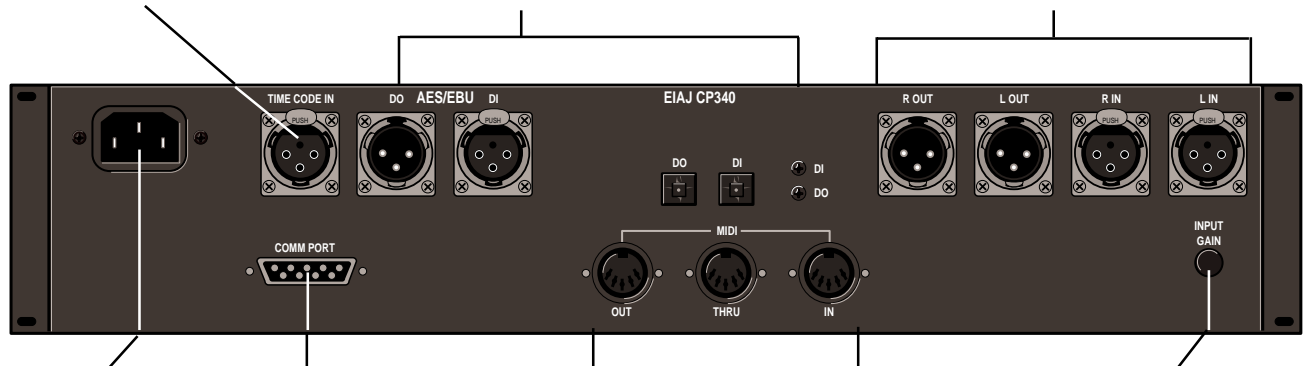
Pin 1 and either pin 2 or pin 3 of each output *must* be grounded for unbalanced operation.

Input impedance is 50k $\Omega$  unbalanced, and 100k $\Omega$  balanced. Inputs accept input levels from -14dBu to +20dBu.

Output impedance is 75 $\Omega$ , and levels up to +18dBu are possible.

#### Time Code In

3-pin female XLR connector for input of SMPTE (Drop or Non-drop), EBU, or FILM time code formats. (Electronically balanced, 100mV p-p minimum)



**AC Power**  
Standard 3-pin IEC power connector.

**Communications Port**  
DE9 connector, reserved for future enhancements.

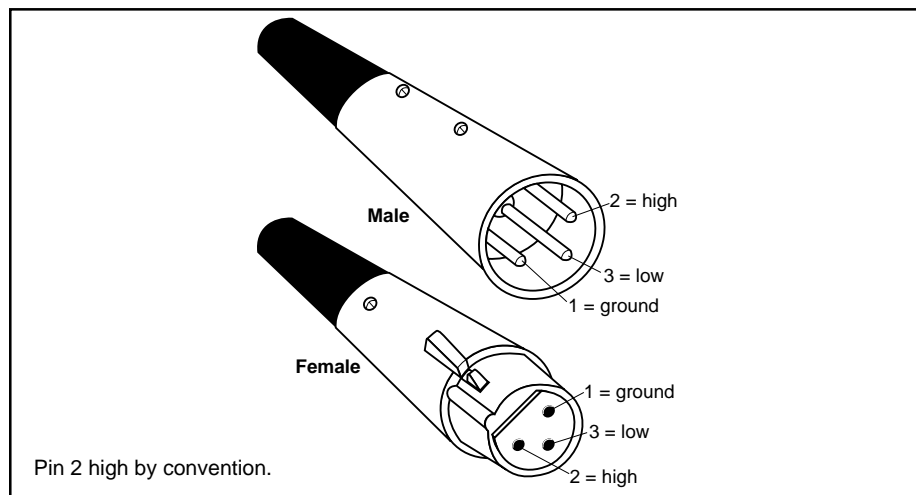
**MIDI Connectors**  
**Out:** Transmits MIDI data to other equipment.  
**Thru:** Passes any MIDI data received without change.  
**In:** Receives MIDI information from other MIDI equipment such as master keyboard controllers, MIDI foot controllers, sequencers and synthesizers.

**Input Gain**  
2-position (In/Out) switch for matching input gain to the source being used.  
In = +16dB; Out = 0dB.

# Connectors, Cables and Configurations

## Connectors

Signal	Mating Connector	Description
L and R Analog Audio Input	XLR A3M	Active balanced, pin 2 high +2dBu min; +20dBu max at 0dB setting
L and R Analog Audio Output	XLR A3F	Active balanced; pin 2 high -2dBu to +18dBu at full scale output
AES/EBU Digital Input	XLR A3M	Balanced RS-422 pin 2 high
AES/EBU Digital Output	XLR A3F	Balanced RS-422 pin 2 high
S/PDIF EIAJ CP340 Consumer Digital Input and Output	RCA	Unbalanced 75Ω
S/PDIF EIAJ CP340 Consumer Digital Audio Optical Input and Output		EIAJ Consumer Digital Audio format
Time Code Input	XLR A3M	Active balanced RS-422; pin 2 high, 100mV p-p minimum
MIDI In MIDI Out MIDI Thru	5-pin DIN	Standard MIDI Interface



## Cables

For best performance, maintain balanced connections, and use high-quality, low-capacitance, twisted-shielded pair cable.

### Analog Audio I/O and Time Code

When connecting to single-ended, unbalanced devices, connect the low side to signal ground at the unbalanced piece of equipment.

For mono connection, connect the left and right input channels in parallel.

Be careful to keep input and output to all channels wired consistently. Out-of-phase wiring can produce audible effects.

This interface requires balanced connections using high-quality, low-capacitance, controlled-impedance, data communication, twisted-shielded pair cable. **It will not work reliably if microphone cable is used.**

### AES/EBU Digital Audio I/O

This interface is unbalanced but, because it carries digital signals, it requires the use of 75Ω RG-59 coaxial cable.

### SPDIF (EIAJ CP340) Consumer Digital Audio I/O

Use commercially-available, consumer audio optical cable assemblies.

### SPDIF (EIAJ CP340) Consumer Digital Audio Optical I/O

Use standard 5-pin DIN MIDI cable assemblies, available from your local dealer.

### MIDI IN, OUT and THRU

Below are recommended manufacturer's part numbers for cable and cable assemblies. In some cases, two types are specified: one with an overall braid shield for heavy use, and one with a foil shield for permanent installation.

#### Analog Audio and Time Code

Belden 8412 (microphone cable with braided shield)

Belden 9461 (foil shield)

#### AES/EBU

Belden 9271 (foil shield)

Gotham GAC-2 AES-FRU

Maximum recommended length: 100 ft (30M)

#### S/SPDIF (EIAJ CP340) Consumer Digital Audio

Belden 9259 (22 AWG conductor, .242 O.D.)

Belden 8218 (27 AWG conductor, .150 O.D.)

Maximum recommended length: 32 ft (10M)

#### S/SPDIF (EIAJ CP340) Consumer Digital Audio Optical

Toshiba TOCP174y

Sony POC-15

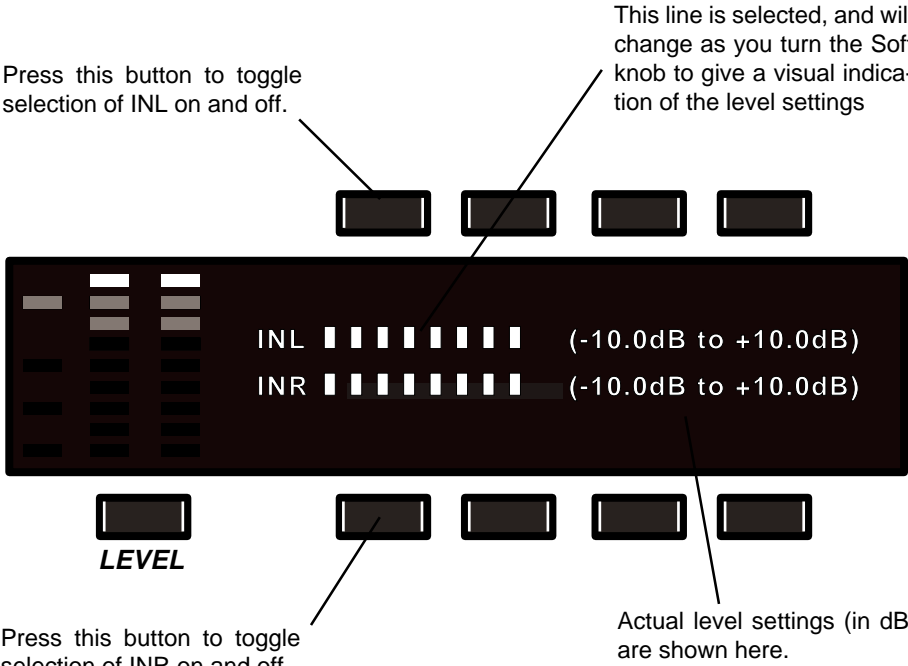
Maximum recommended length: 16 ft (5M)

## Setting Analog Audio Levels

When shipped, the 300 is set for the Analog I/O configuration. Once you have connected the analog inputs and outputs, you can set up the analog input and output levels. To do this, press the 300 front panel key marked LEVEL. The display will show:

Level Indicators	
Red	DSP Overload
Amber	-3
	-6
Green	-12
	-18
	-24
	-30
	-36
	-42

values are dB approximate



Press this button to toggle selection of INL on and off.

This line is selected, and will change as you turn the Soft knob to give a visual indication of the level settings

INL  (-10.0dB to +10.0dB)

INR  (-10.0dB to +10.0dB)

LEVEL

Press this button to toggle selection of INR on and off.

Actual level settings (in dB) are shown here.

The front panel PAGE UP and PAGE DOWN keys allow you to switch the display from input levels (IN L and R) to output levels (OUT L and R).

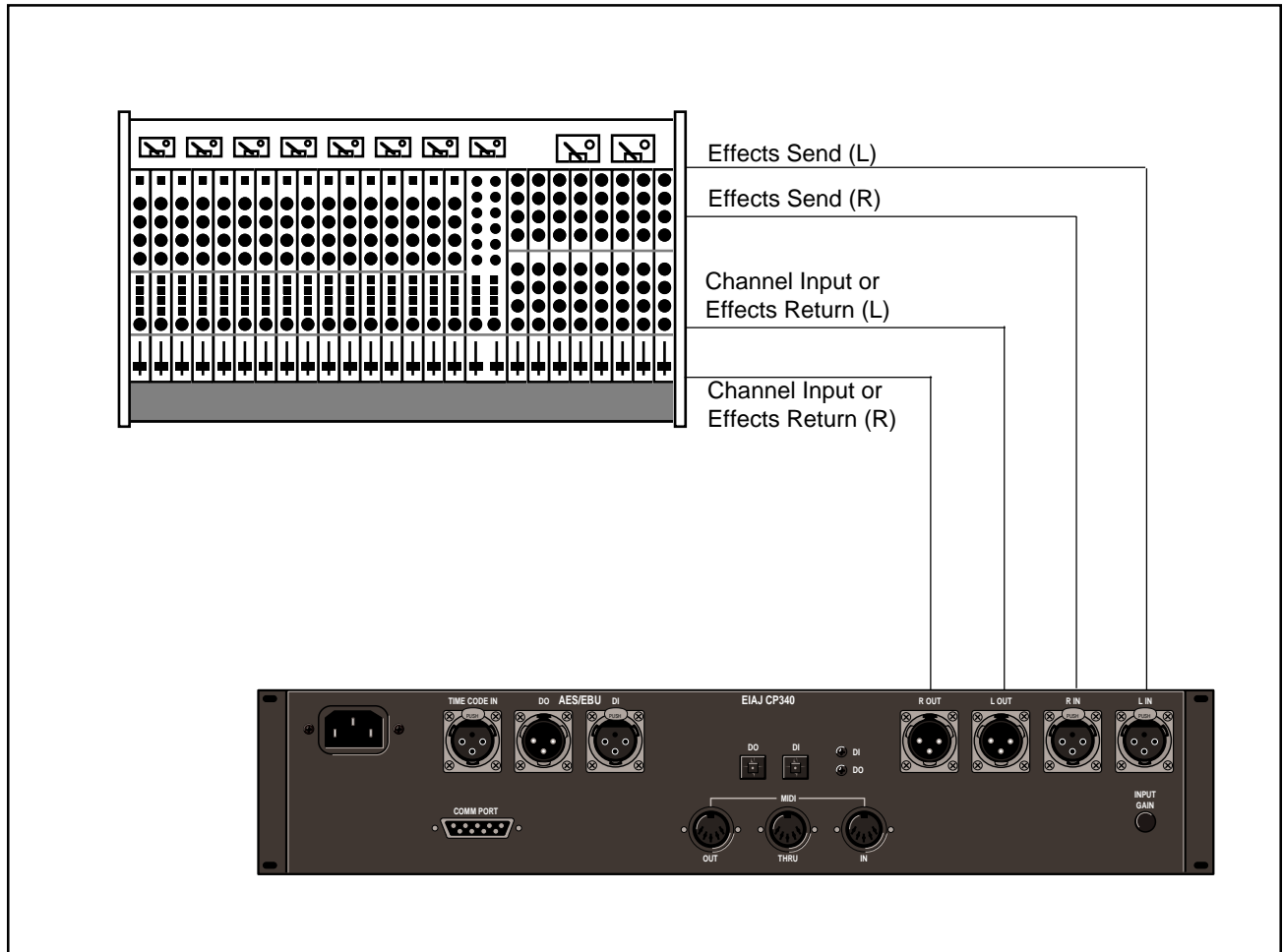
When a line is selected, the boxes on the display will be lengthened. (The illustration above shows the upper line selected.) If both lines on the display are selected, turning the Soft knob will alter both settings simultaneously. The buttons directly above and below the display act as toggle switches to individually select and un-select these lines.

If additional gain is needed, the rear panel INPUT GAIN switch allows you to set unity gain of the 300 to 0dB (switch OUT), or to +16dB (switch IN).

Feed a 1kHz tone (or a musical signal at the maximum peak level used in your system) to the 300. Use the front panel Soft knob to adjust the level so that the peak input level falls just short of lighting the red overload LED. To set the output level, press the front panel PAGE UP or PAGE DOWN key and use the Soft knob to set the output to provide appropriate levels for your console or system.

## Configurations

### Connection to a mixing console's effects sends



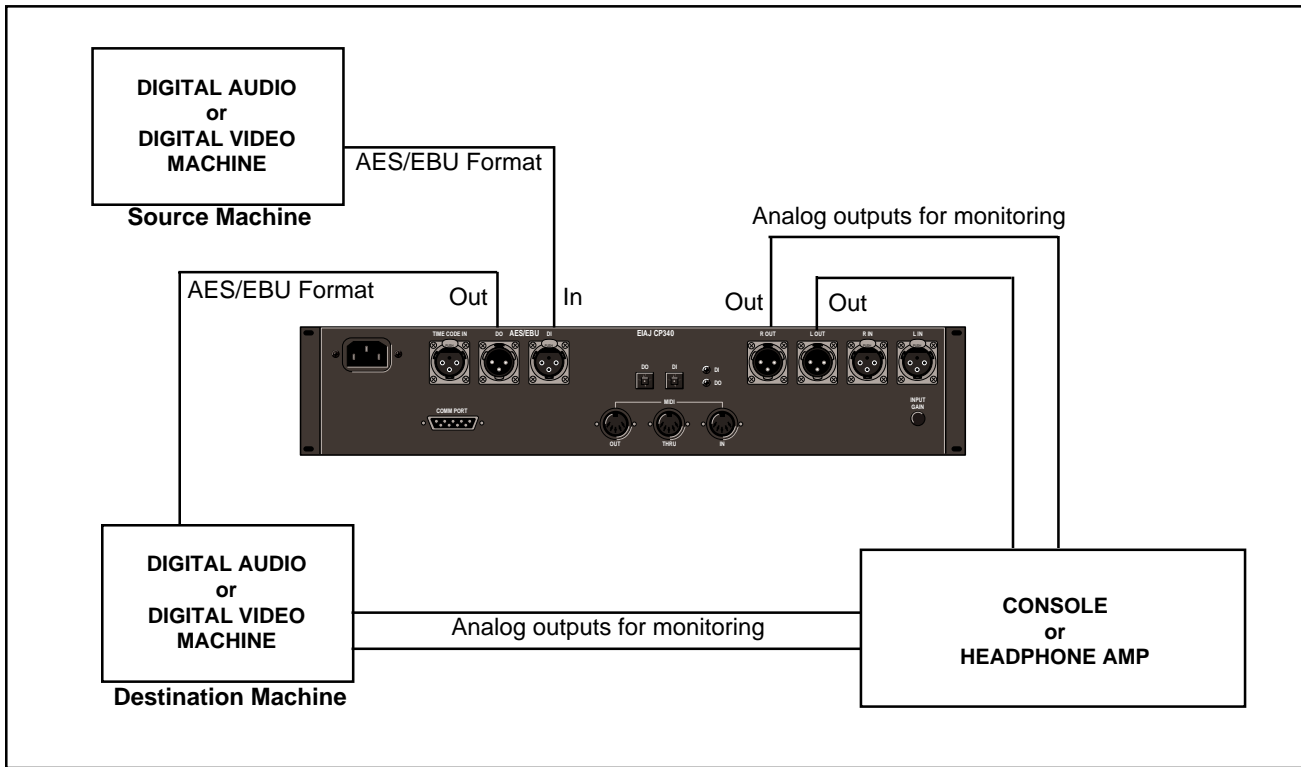
If you will be using a 300 as your primary effects unit, and your system includes a console with one or more auxiliary (effects) sends, connect the 300 as shown above. In most applications, it is preferable to connect the 300 outputs to two of the console's input channel strips, panned full left and right, rather than the effects returns. This allows the greatest flexibility in routing and equalization.

In this configuration the console controls are used to set the amount of effect heard—the 300's MIX control should be set for 100% wet. If you are using only one effects send, connect the left and right inputs of the 300 in parallel.

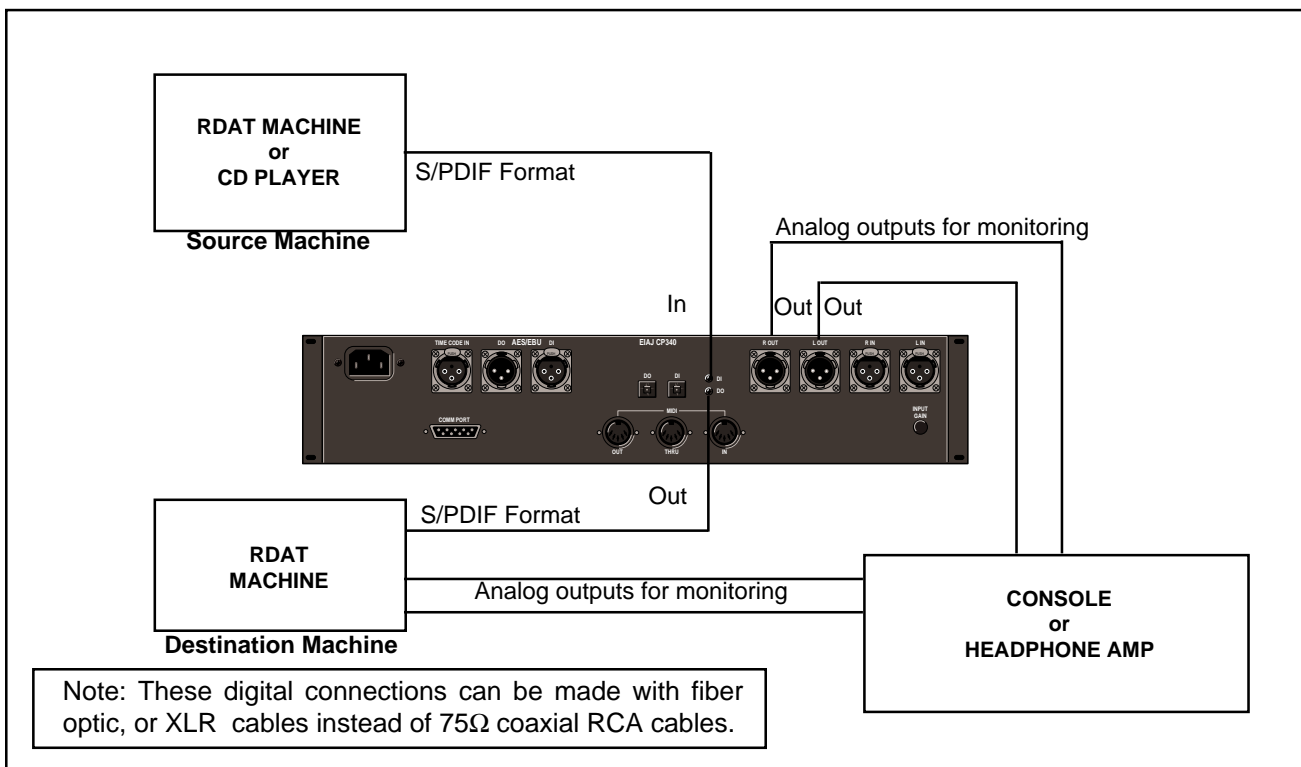
The following diagrams give a few examples of various possible configurations for interfacing to digital equipment.



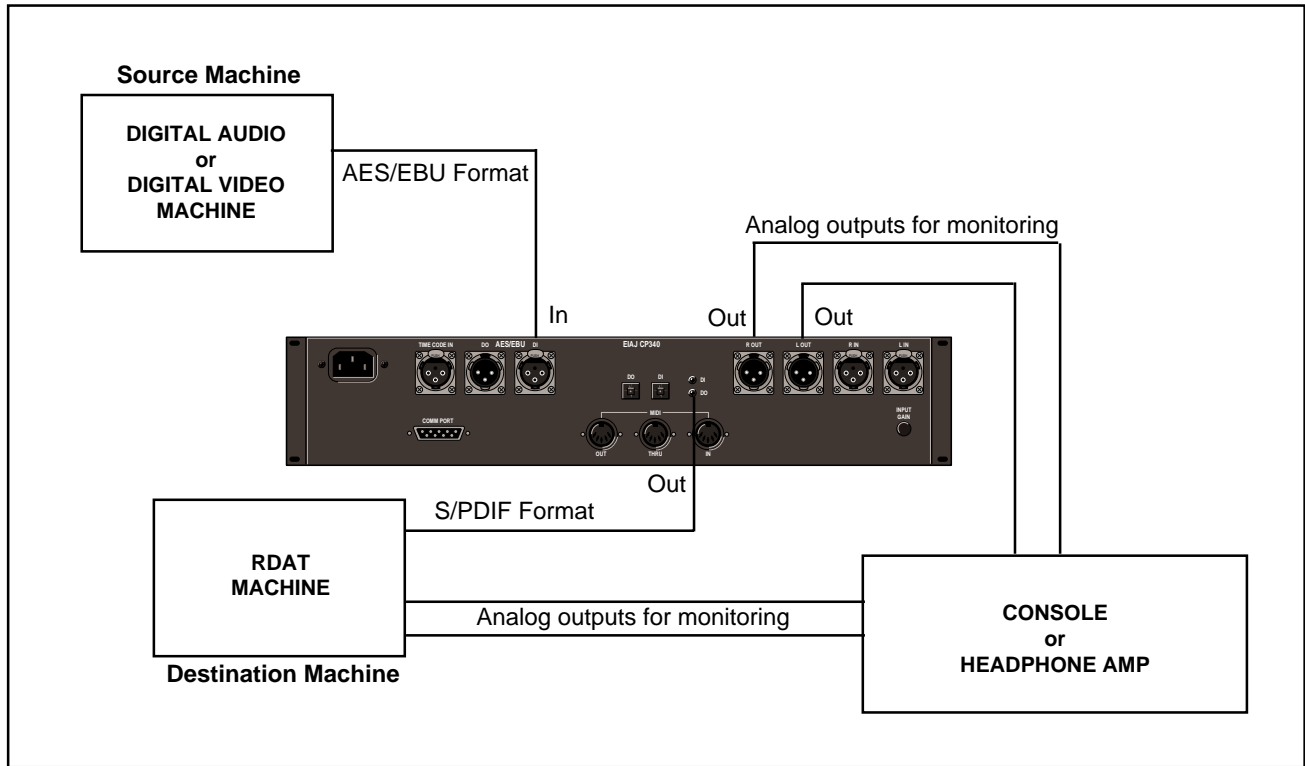
**AES/EBU to AES/EBU**



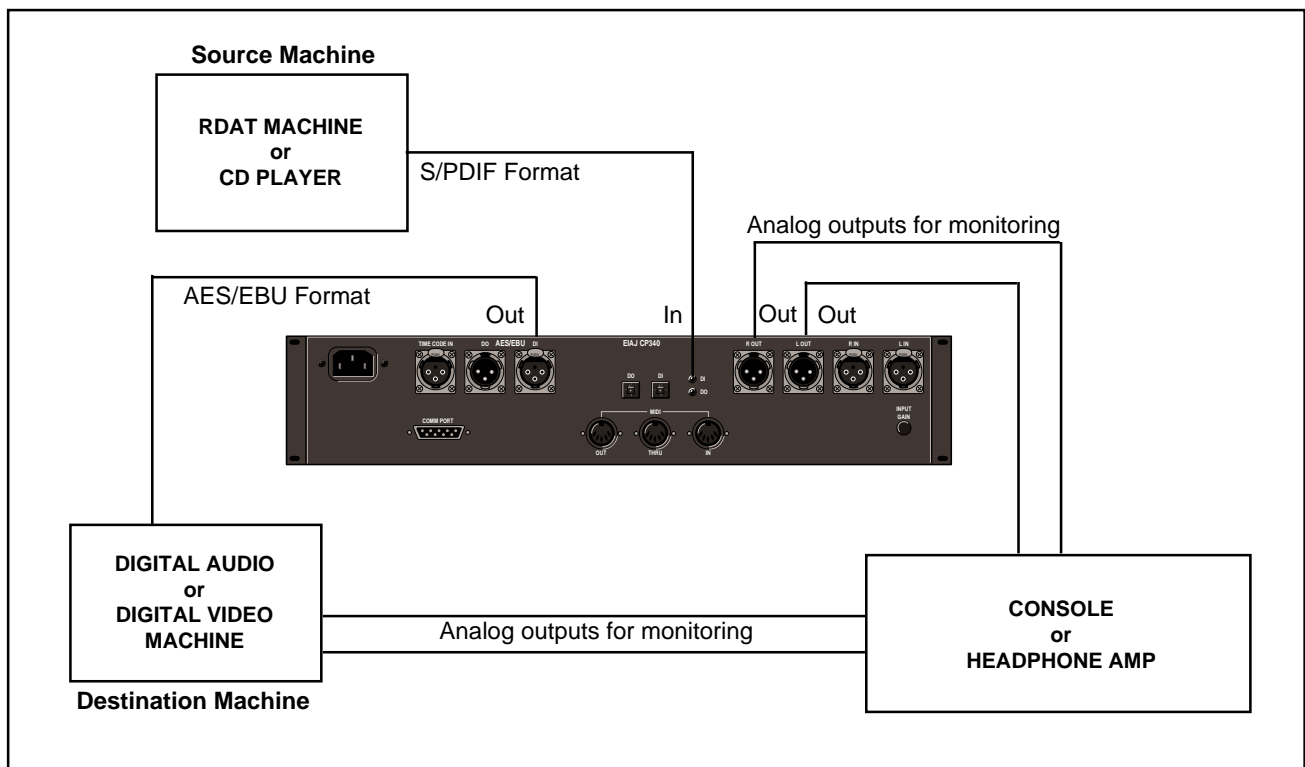
**S/PDIF to S/PDIF**



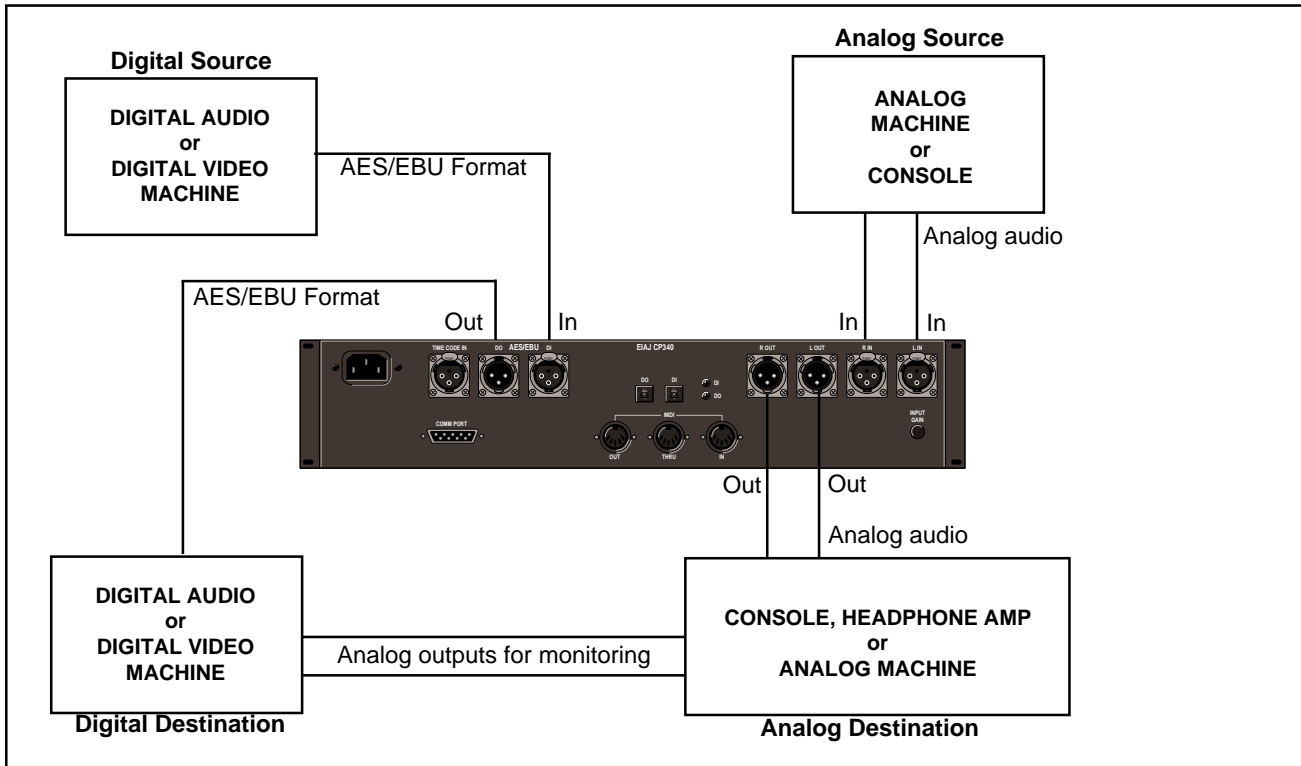
### AES/EBU to S/PDIF Conversion



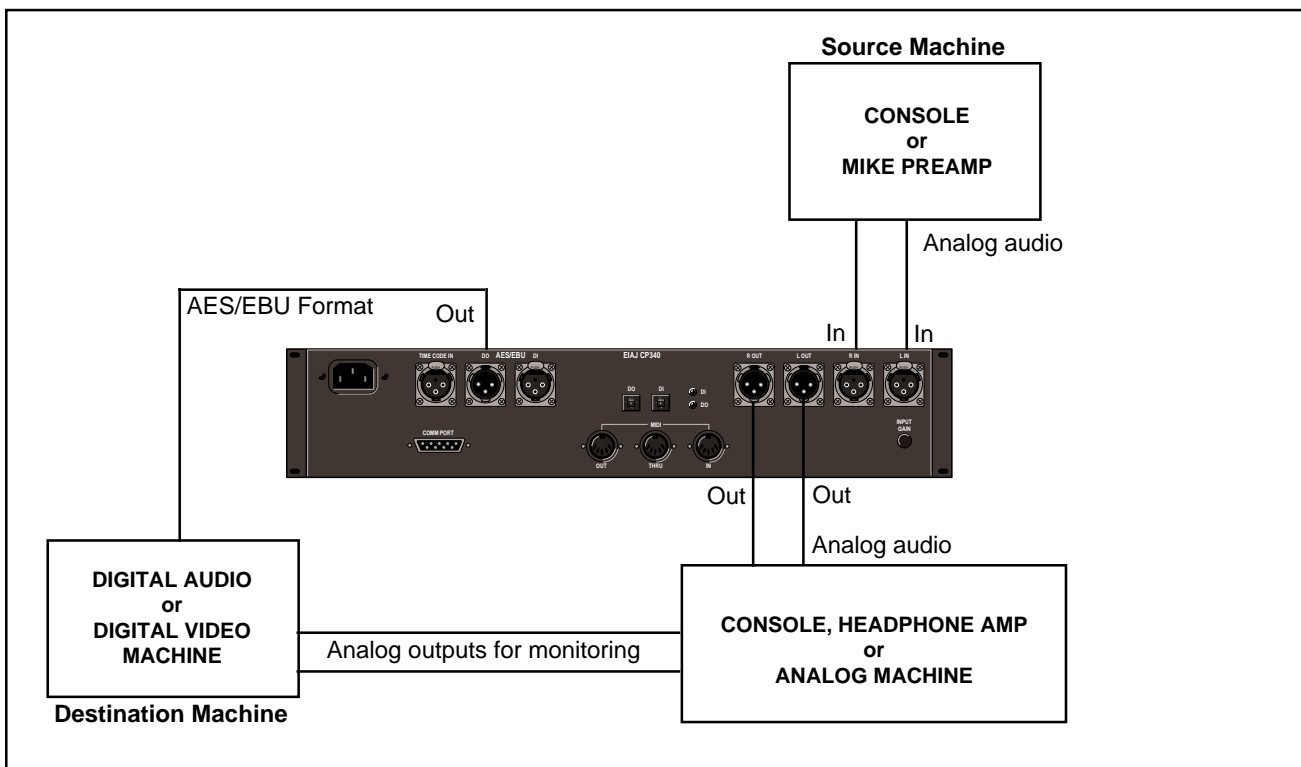
### S/PDIF to AES/EBU Conversion



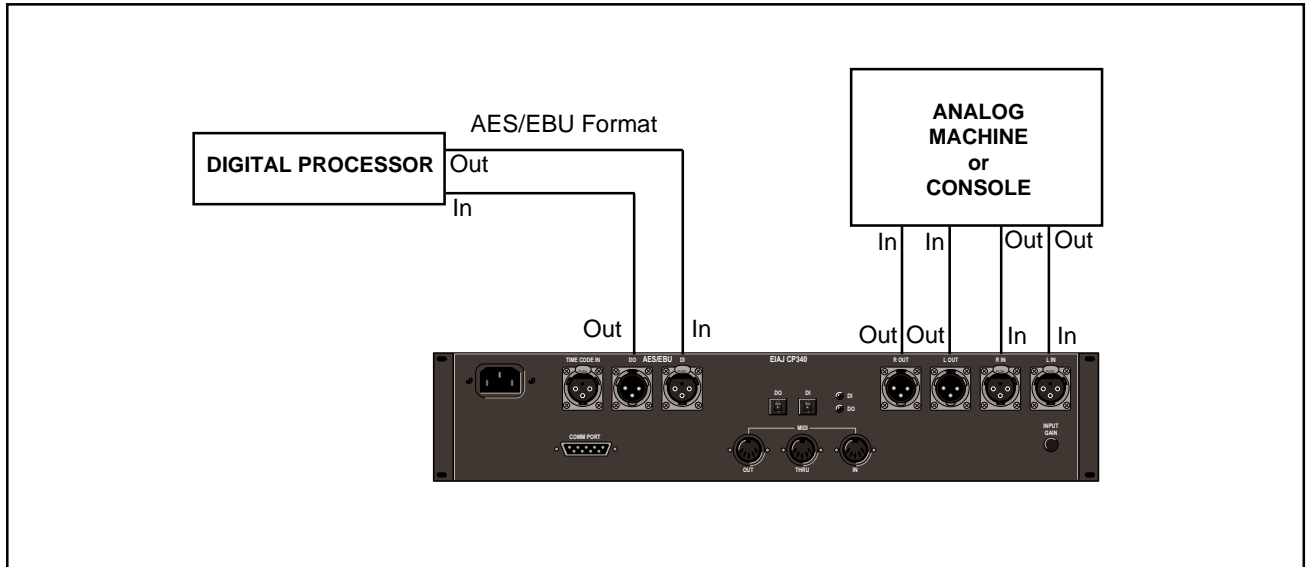
**ANALOG I/O and  
AES/EBU to AES/EBU**



**ANALOG I/O and  
AES/EBU Digital Output**



### ANALOG In with Digital Patch Point to ANALOG Out



# 2

---

## System Overview

## Terms used in this manual

In discussing 300 operation, the following terms are used.

### Algorithm

The 300 contains eleven *algorithms*. An algorithm is a set of instructions that tells the 300's audio processors how to process the input signal. One algorithm produces pitch shift effects, another produces reverberation, etc. Algorithms are stored inside the 300 on ROM (Read-only memory) chips.

### Configuration

The 300 can deliver two effects (one from each machine) simultaneously. The manner in which the two machines relate to each other is called the *configuration*. The machines can be used with independent inputs and outputs (Dual Mono configuration), they can share the same stereo input signal (Single configuration), or the outputs of one machine can be fed into the input of another (Cascade configuration).

### Effect

An *effect* consists of an algorithm, the parameter values which create a specific sound, four associated patches, and an identifying name.

### Machine

The 300 contains two processing modules, called *Machine A* and *Machine B*. Although both machines can run simultaneously, only one can be accessed from the front panel at any given time. A dedicated function key labeled MACH allows front panel selection of either Machine A or Machine B.

### Pages

Because effects (and other modes of operation) have more parameters than can be displayed at one time, parameters are grouped into several *pages*. You move between pages by pressing the dedicated function keys labeled PAGE UP and PAGE DOWN.

### Parameter

Each algorithm has a set of *parameters* (controls) that uniquely characterize it. The settings of the parameters can be changed to create radically different sounds from a single algorithm.

### Patch

A *patch* is a routing assignment that allows one of the 300's parameters to be driven by a source controller (LFO, footswitch, mod wheel, etc.)

### Register/Preset

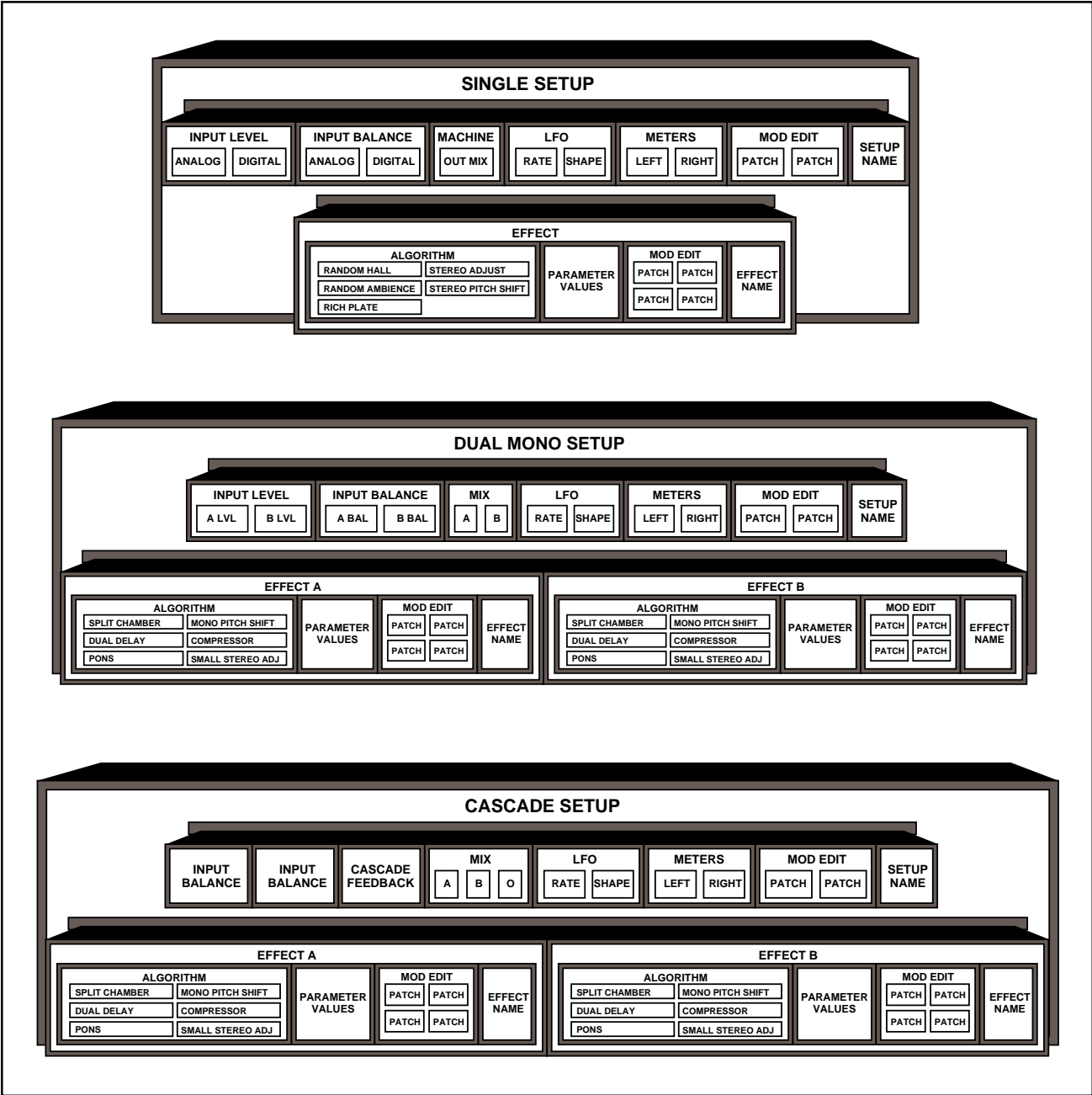
*Registers* are simply memory locations where you can store your own setups and effects. *Presets* are factory-installed setups and effects. The presets cannot be overwritten, but they can be modified and stored as custom setups in the registers. Registers and presets are differentiated on the 300 display by the initial R (Register) or P (Preset) before their number.

*Effect presets:* 100 effect presets are installed in the 300 to give you a wide variety of sounds to use as is, or to use as a starting point when creating your own sounds. (50 effect registers are provided for storage.)

*Setup presets:* 100 setup presets provide a convenient starting point for selection of effect combinations. (50 setup registers are provided for storage.)

**Setup**

A *setup* consists of a single effect or a pair of effects, the configuration associated with them, and an identifying name. The three basic setup configurations: Single, Dual Mono and Cascade, are shown below.



## The Front Panel

### MIDI and Sample Rate LEDs

The amber MIDI LED indicates activity over the designated MIDI channels. The sampling rate of the 300 is shown by the green LEDs.

### Level

Used to adjust Analog input and output levels (in conjunction with the Soft knob and the Page Up/Down keys). Levels are shown on the LED bar graphs directly above the LEVEL key. The lower 6 LEDs are green, followed by 2 amber, and one red - indicating overload.

### Page Up/Down

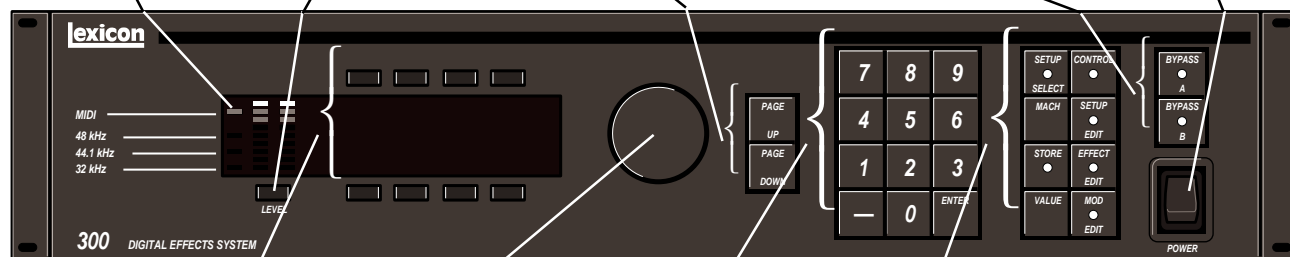
Allow access to display pages of adjustable parameters.

### Bypass

Enable digital bypass of Machine A or B to provide an unprocessed signal, or to mute the effect input.

### Power

Power on/off.



### Soft buttons

Each of these eight buttons is used to select the parameter displayed directly above or below. Once selected, parameters can be changed incrementally by additional button pushes, or they can be adjusted by the Soft knob.

### Soft knob

Used to adjust parameters displayed and selected with the Soft buttons.

### Numerical Keypad

Used for numeric entry of program numbers (as an alternative to Soft Knob selection) and for time code entries.

### Dedicated-function keys

**Setup Select:** Used to select and run setups.

**Mach:** In appropriate configurations, allows selection of either of the 300's two processing modules (Machine A and Machine B) for front panel control.

**Store:** Used to memorize effects and setups.

**Value:** Used to display parameter values for Soft button or Soft knob adjustment.

**Control:** Used to access system parameters.

**Setup Edit:** Used to create or modify the current setup.

**Effect Edit:** Used to adjust the parameters of effects.

**Mod Edit:** Used to create patches.



The 300 front panel has been designed for ease-of-use and intuitive access to all of the 300's functions.

## Overview of Front Panel Controls

In general the user will be operating in one of the following modes of operation, each of which is accessed from the dedicated keypad on the front panel. Each mode key has an LED which lights when the key is activated. The functions of the VALUE and STORE keys are discussed later in this section.

### SETUP SELECT

It is from Setup Select mode that setups are selected and loaded. Setups can be selected with the Soft knob, or by entering a setup number on the numeric keypad and then pressing ENTER.

### CONTROL

Control mode provides access to global system functions which include: Digital I/O Configuration, MIDI Channels, Modes, and Effect Change tables. Selecting Control mode does not interrupt the audio operation of the 300.

### MACH

This button allows you to toggle between the 300's two DSP engines. Each machine can process audio continuously and simultaneously. However, the front panel can only actively *control* one effect at a time. Each time you press MACH, the 300 switches control; the display indicates whether Machine A or B is being controlled.

### SETUP EDIT

This mode is used to modify the current setup. In this mode you can select the effect for the setup, and the name assigned to the setup

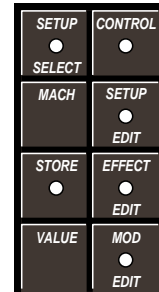
### EFFECT EDIT

In this mode you can modify the effect used in the current setup, and change the name of the effect. The available parameters for each effect are organized onto display pages. The algorithms and their parameters are discussed in detail in Chapter 4.

### MOD EDIT

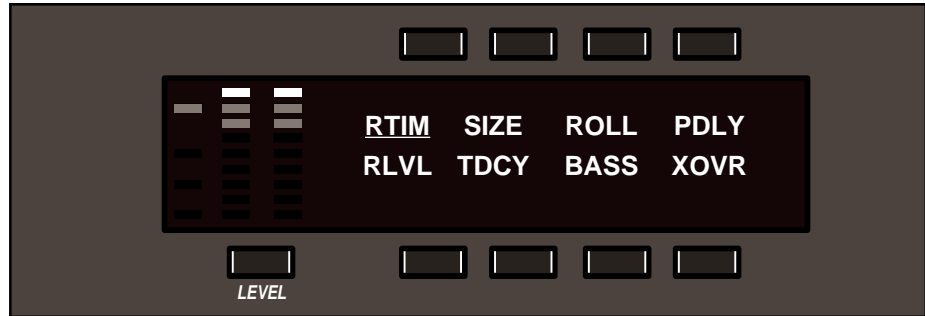
In Modulation Edit you can assign MIDI and Soft knob patches.

Switching between these various modes is as simple as pressing a button. The operation of the 300 in each of these modes is discussed in the following sections.

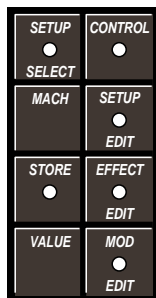


**Overview of the 300 Display**

Generally, the display will indicate a page of parameters, any of which can be selected by pressing the button directly above or below it. In the example below, the "RTIM" parameter has been selected and is highlighted by an underscore cursor on the display.



Once selected, parameters can be adjusted over their entire range with the Soft knob. The parameter and its current value will appear on the display as long as the Soft knob is being adjusted.



Pressing the front panel VALUE key will display all of the current parameter values for the selected page. In this example, pressing VALUE will cause the following display to appear:



Here again, turning the Soft knob will adjust the selected parameter over its entire range; the buttons will select other parameters for adjustment.

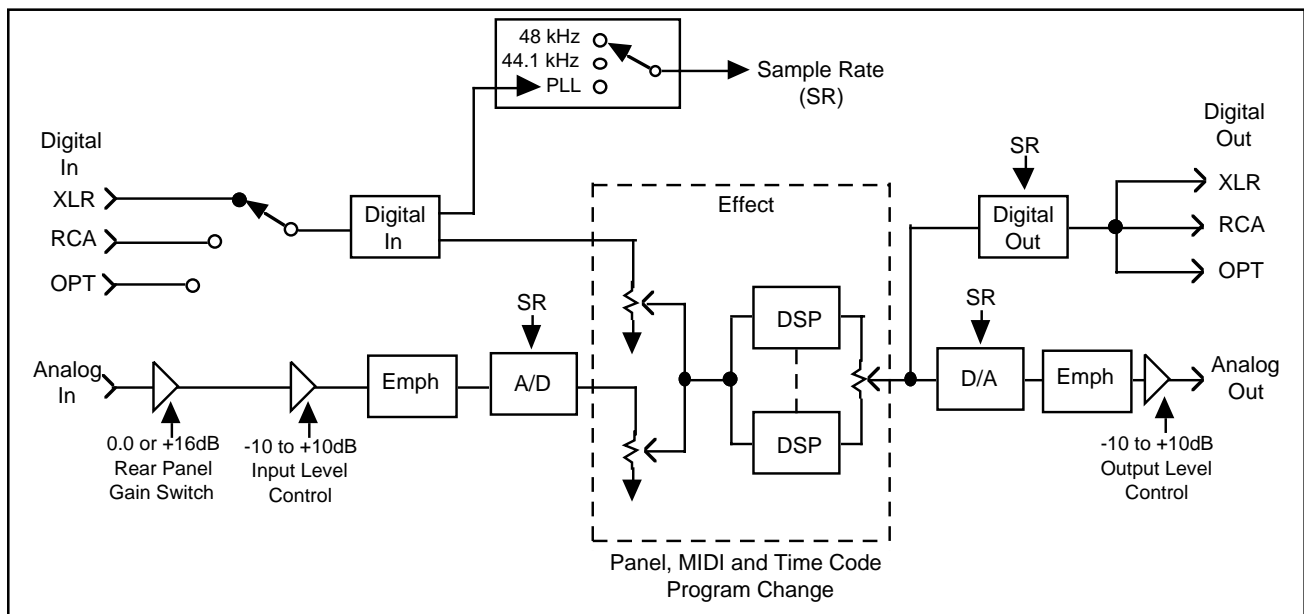


The PAGE UP and PAGE DOWN keys are used to access various pages of additional parameters (or parameter values) which can then be edited via the Soft knob.

## System Overview

The 300 presents you with an incredible number of choices — all of which can be made through the front and rear panel. Although you could certainly operate the 300 by setting each I/O configuration and effect parameter by hand each time you use it, you probably wouldn't enjoy it — so we've tried to organize the 300 so that its considerable flexibility doesn't become an obstacle. Before digging into the details of operation presented in this manual, you may find this brief overview useful.

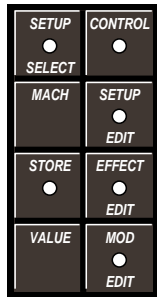
The block diagram shown below illustrates the basic flow of audio through the 300. Analog and/or digital audio enters on the left. Each is conditioned and translated as required and, in the case of digital audio, a sample clock is extracted. The resultant digital audio streams are sent to effect processing, then converted to appropriate analog and digital outputs (on the right).



As you can see from the figure, the 300 has a rich set of I/O capabilities, with many choices available to the user, including:

- Sample Rate
- Analog or Digital Input connector
- Digital and Analog Emphasis/De-emphasis
- Digital Output format (AES or SPDIF)
- Digital Copy (SCMS) and Emphasis bit manipulation
- Processor Configuration

The I/O organization is part of the 300's Control Mode. Other items which form part of the global operator of the box are: Time Code event list viewing and editing, MIDI Mapping Tables, Purge functions for User Registers, Copy Tools, and Bypass button functions.



By far the most important aspect of the 300 is the Setup and its association to the digital effect(s) that you want to use. The 300 has three types of Setups: Single, Dual Mono, and Cascade. Each is strikingly different and together they provide incredible audio possibilities.

Each Setup includes one or more effects along with other items such as machine input(s) and source balance(s), the relationship between wet (effect) and dry (input) mixing for each machine, meter functions, LFO rates and shapes, and a naming function. In addition, there are two(2) modulation patches which can link source controllers to two Setup parameters.

To simplify the choice among the many possible effect and system routings, the 300 is shipped with 100 Setup Presets. (The organization of the Setup Presets is shown to the left.) These factory presets cannot be overwritten, but can be modified and stored as User Setups in any of 50 Setup Registers.

#### Setup Presets

The Setup Presets are organized as follows:

- 101-150 = Single Setups
- 201-225 = Dual Mono Setups
- 301-325 = Cascade Setups

Single Set-Ups contain one effect running in a single unified machine (both DSP engines working as one).

Dual Mono and Cascade can be thought of as "split" configurations, and are capable of simultaneously running two different (or identical) effects.

Audio effects, of course, are what the 300 is all about, and a total of 100 Effect Presets are provided for loading into the three Setup types. Five algorithms can be loaded into Single Setups: Random Hall, Random Ambience, Rich Plate, Stereo Pitch Shift, and Stereo Adjust. Six different algorithms can be loaded into the "split" Setups (Dual Mono and Cascade): Dual Delays, Split Chamber, Mono Pitch Shift, Compressor, PONS, and Small Stereo Adjust. (The organization of the Effect Setups is also shown to the left.)

Each algorithm has its own control parameters. Random Hall, for example, has 28. The front panel EFFECT EDIT key and the Soft knob, allow effect parameters to be adjusted along a range of values, dramatically altering the audible effect of the algorithm. An effect can also activate as many as 4 patches, each linking a source controller to a parameter. This MOD EDIT function is intrinsically mapped as an extension of the EFFECT EDIT function. Saving either saves the other. (The Effect Presets cannot be overwritten, but can be modified and stored as custom Effects in any of 50 Effect Registers.)

#### Effect Presets

Effect Presets are organized as follows:

- 101-115 = Random Hall Presets
- 201-210 = Random Ambience
- 301-308 = Rich Plates
- 401-409 = Stereo Adjust
- 501-508 = Stereo Pitch Shift

These can only be loaded into Single Setups (101-150).

- 601-616 = Dual Delays
- 701-720 = Split Chambers
- 801-810 = Mono Pitch Shift
- 901-902 = Compressor
- 001 = the PONS Program for Mastering Applications
- 010 = Small Stereo Adjust

These can only be loaded into "Split" Setups (201-325).

In summary, the 300 is organized into setups and effects. Setups are collections of many decisions, including DSP routing, Input levels, Source, Balances, LFO Rate and Shape, and an Effect or Effects. These selections are grouped together, named and stored so they can be called up with a single user action. Each Effect included in a Setup contains an algorithm, a complete set of parameters, and 4 patches. As with Setups, Effects can be loaded, copied, edited, named, and stored, as well as dumped and recalled via MIDI.

The 300's Control Mode provides access to general global parameters and miscellaneous functions. Selecting Control mode does not interrupt the audio operation of the 300.

There are 9 Control mode pages:

1. Set-up Configuration and Input type select (Analog and/or Digital),
2. Analog sample rate select, Digital locked, Digital input connector type, Digital Input format display and Digital Output format selection.
3. SCMS Detect and select
4. Digital emphasis detect and select
5. Effect Load select(Bypass, Mute) and Bypass function (Input mute, Bypass
6. Copy Protect/Copy Tools for Setups, Effects, and MIDI Mod Edits
7. Purge (Delete) Tools for Time Code Event List, All Registers, All Effects, MIDI Map Table, and return to Factory Initialization.
8. Time Code Event List Management
9. MIDI Mode and MIDI Map Table

Note: The 300 Digital Effects System is shipped from the factory running in an Analog Input, 48kHz mode with Setup Preset S:P101 SINGLE running Effect Preset EA: P101 Large Hall.

If you are already familiar with the operation of the 300 and wish to change the Input to a Digital Type, simply enter Control mode and make your selections.

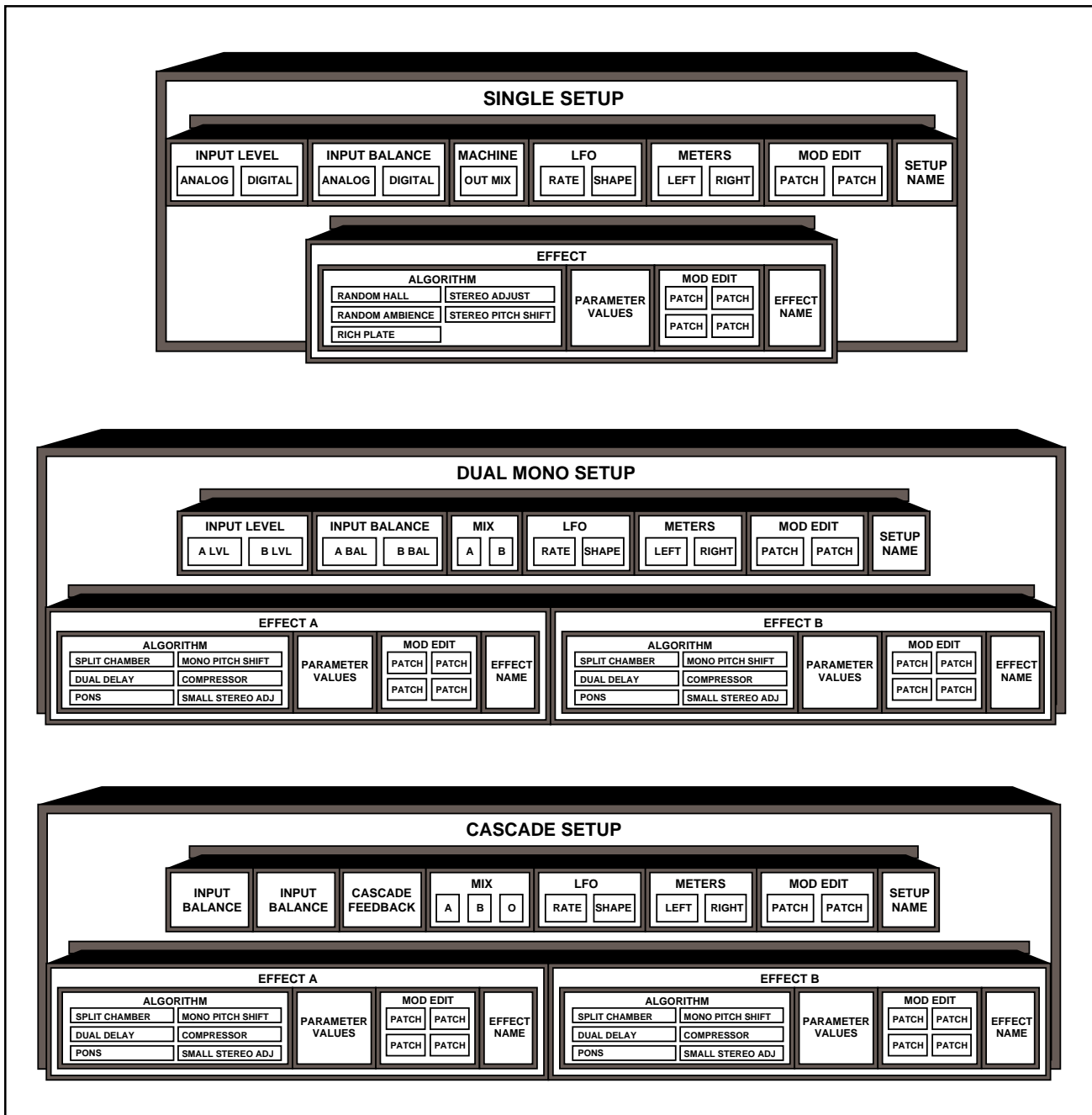
If you have no previous experience with the 300, we suggest you remain in the analog mode and read on...



## Getting Started

When shipped, the 300 V3.0 defaults to an Analog In, 48K sample rate state. It also loads Setup Preset 101 Large Hall, with the Random Hall Effect *Large Hall* (Effect Preset 101).

The various audio DSP routing configurations which can be utilized by the 300 are grouped into Setups. The three Setup types are: SINGLE, DUAL MONO, and CASCADE.

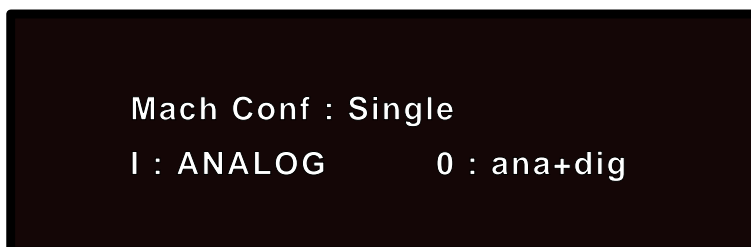


When the 300 is powered up, the SETUP SELECT button should be lit, indicating that the unit is in Setup Select mode. Turning the Soft knob will cue a new setup into the display window. Pressing ENTER will load the new Setup — and the Effect(s) associated with it.

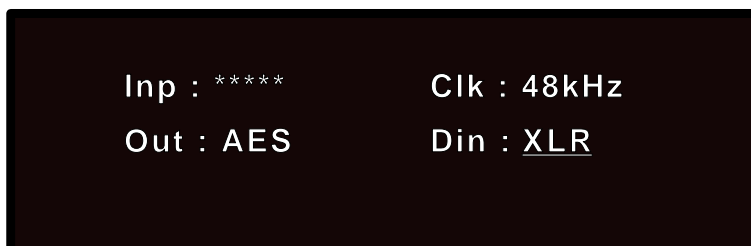
If you wish to change the Analog Sampling rate or to slave-lock the 300 to an external digital device or to external system word clock, you must go into the 300's Control mode. To do this, simply press the CONTROL button. Press PAGE DOWN twice to view Page Three, the Machine Configuration page.

### Selecting digital Input, and/or changing analog sampling rate

This page allows you to define Input type, with the currently selected type underscored. (When shipped, this will be the factory default Input type, ANALOG.)



Before turning the Soft knob to change the Input type, press PAGE DOWN to display the Digital Input and Sampling Rate page. This page allows you to select different types of Analog and Digital I/O parameters.



Inp: Indicates the Digital Format if properly locked. If \*\*\*\*\* appears, the 300 is not locked to an external digital sync.

Clk: Allows the engineer to select the Analog Sampling rate. Pushing either of the 2 buttons above this label first selects the parameter. You can then push the button again to toggle to 44kHz, or you can use the Soft knob.

Out: Allows you to select AES Professional or SPDIF(Sony/Phillips Digital InterFace) Consumer as output formats.

Din: Allows selection from among the three(3) different Digital Input Connectors: XLR, RCA, and OPTical.

If you wish to operate the 300 in the digital domain, push either of the 2 buttons under the Din label to select that parameter. (The selected parameter will be underscored.) Use the Soft knob or multiple button pushes to select the Digital Input connector which suits your studio rig.

Press PAGE UP to display the Input I/O selection screen. In the SINGLE mode there are three choices: ANALOG, DIGITAL, or ANAlog + DIGital. Use the Soft knob to select DIGITAL, then press PAGE DOWN to display the next screen.



If the system is properly locked, the Inp field should now be displaying either "AES" or "SPDIF". If the system is not properly locked to the incoming word clock, the following error message will be displayed:

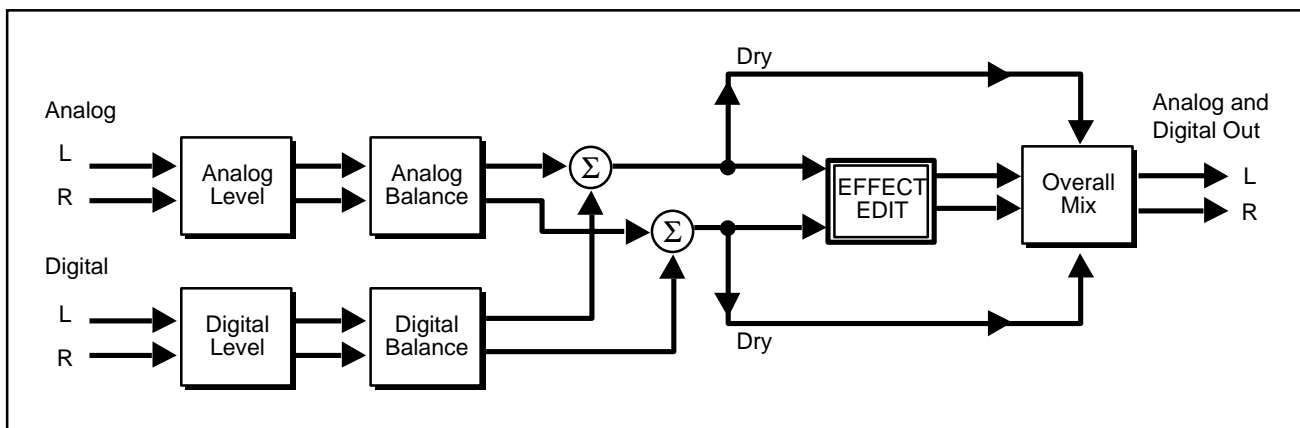
BAD/NO DIGITAL INPUT  
Check Din connector!

Go back and check all your cables.

Once you've configured the Analog or Digital audio type, return to the Setup Select mode by pressing SETUP SELECT.

## Single Setups

SINGLE Setups (101-150) configure both DSP engines with microcode which enables them to function as a unified engine. Both analog and digital inputs can be utilized simultaneously. Each type of input (A or D) has a source *Level* and *Balance* control. The Level control varies the input level to the DSP engine for each type of input; Analog or Digital. The Balance controls determine what ratio



of Left/Right balance feeds the DSP engine.

(Analog and digital input levels and balances are located on Page 2 of the SETUP EDIT mode. Press SETUP EDIT, then press PAGE DOWN once.)

### Example

All SINGLE Setups have Balance set to 50%. This means an equal proportion of Left and Right input signal is passed into the (Single) Effect.

1. Press the ABAL (Analog Balance).
2. Turn the Soft knob counterclockwise to let more of the Left input pass through.
3. Turn the knob clockwise to allow more of the Right channel to pass through.
4. Return the parameter to 50%, allowing proper stereo to pass to the DSP effect.

Before the signal passes into the loaded effect, a post input level and post balance is picked off and bypasses the effect. Lexicon calls this the *Dry* signal path. The Dry signal and the Wet DSP effect signal are summed and proportionally mixed by the control labeled OMIX (Overall Mix). This control is found on the next Page. (Press PAGE DOWN once.) The resulting mix is passed out both analog and digital.

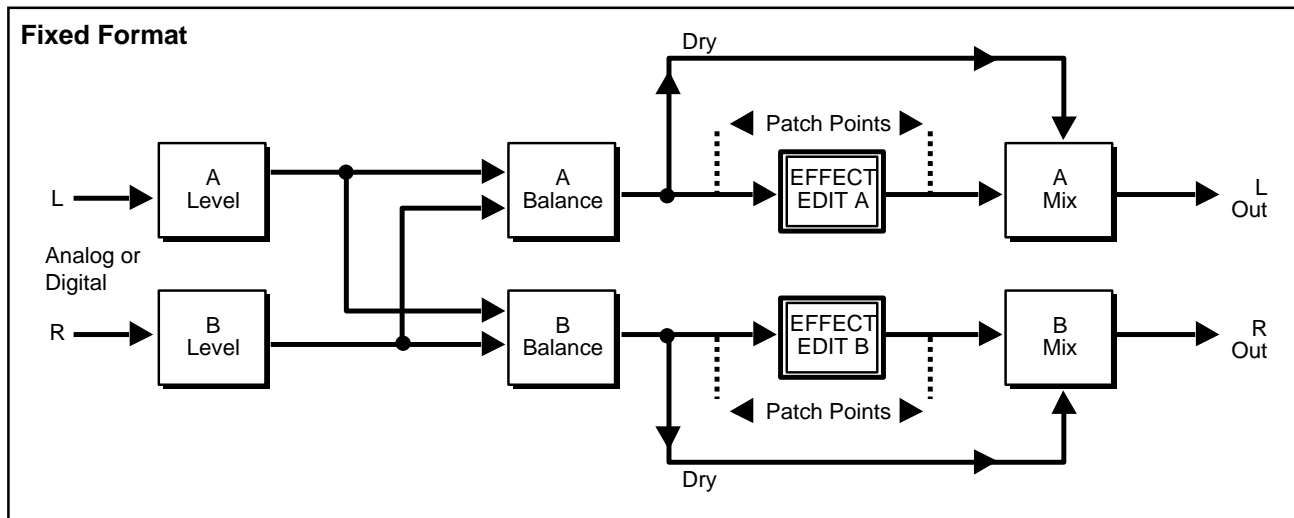
NOTE: Most studio applications assume a 100% Wet mix. Most SINGLE Setups are set with OMIX at 100% Wet. However, it is possible that some pre-fade sends to the 300 will require the mix to be set to another value.

Dual Mono Setups (Setup Presets 201-225) are "Split" configurations. Turn the Soft knob to cue up different Dual Mono Setups. The top line of the display indicates the Setup Preset number and the two types of effects loaded in the Setup. The bottom display line shows which "Split" Effect is loaded into which machine. In the Dual Mono "Split" configuration each DSP engine, Mach A and Mach B, can run special Split Effect Algorithms and Presets .

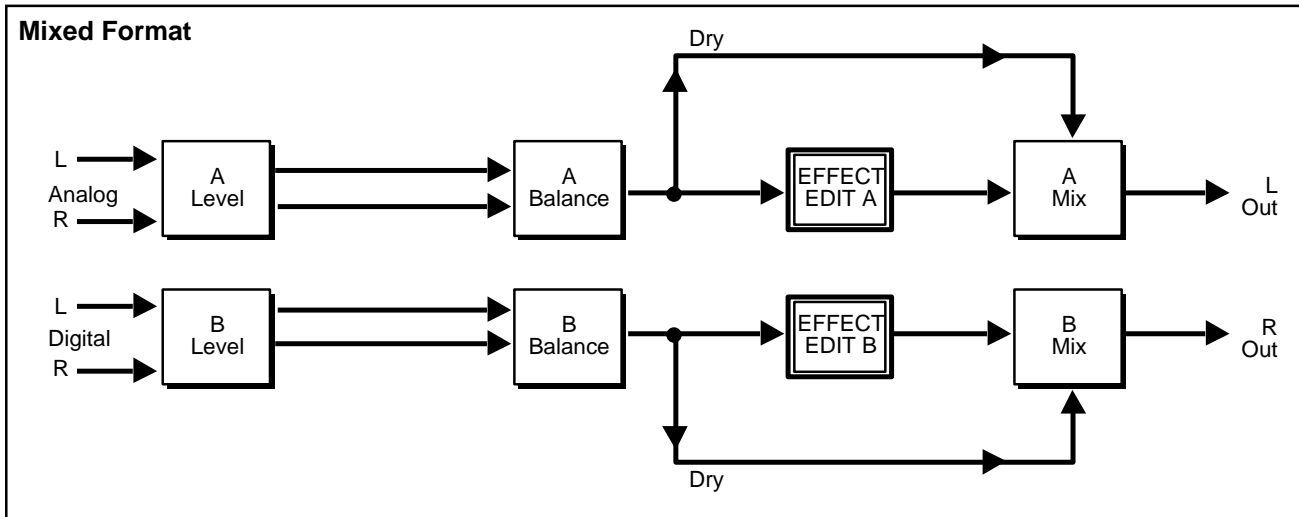
## Dual Mono Setups

Analog and/or Digital formats can be input into the 300. When only one input type (analog *or* digital) is specified, we refer to the format as "Fixed."

When Analog is selected as the main Input source, the Digital I/O port can be placed in a pre or post effect patch point. Conversely, if the Digital input is selected as the main input source, Analog I/O connections can be used as a patch point.

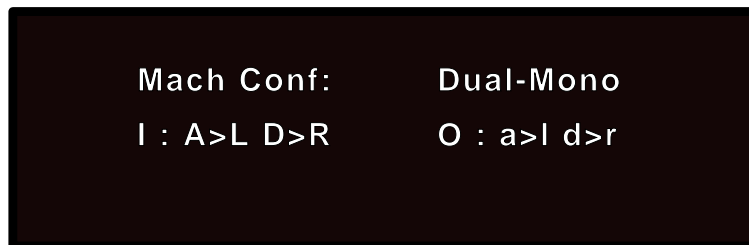


When *both* Analog and Digital are specified to operate as MAIN Inputs, we refer to it as "Mixed Format." The Mixed format gives you the option of using the left, right, or summed mono input signals of each type of input(Analog or Digital). In this format, patch points are given up. The parameters for determining what blend of Left/Right is passed to each Machine (A and B), are "A BAL" and "B BAL", located on Page Two of the Setup Edit mode.



The determination of Fixed vs. Mixed formats is set in Control mode on Page Three: the Machine Configuration page. Selecting ANALOG or DIGITAL on this page specifies the Fixed format.

If you want to input both analog and digital audio (Mixed format), press CTRL to get to Control mode. Press PAGE UP or PAGE DOWN to view the Machine Configuration page. The leftmost button on the bottom row selects I: ANALOG or DIGITAL. In Dual Mono Setups, the selections also include: A>L D>R, and D>L A>R. Turn the Soft knob so that the display reads:



In this format, analog audio feeds the Input to the Left Processor (Machine A); digital audio feeds the Input to the Right Processor (Machine B).

Machine A audio comes out Analog left (and digital left)

Machine B audio comes out Digital right (and analog right)

All Dual Mono setups have the ABAL and BBAL set to Left-CHannel and Right CHannel respectively. This assumes a fixed format type of audio configuration. If you elect to work in a Fixed format, all Dual Mono setups will require individual adjustment of ABAL and BBAL to 50%.

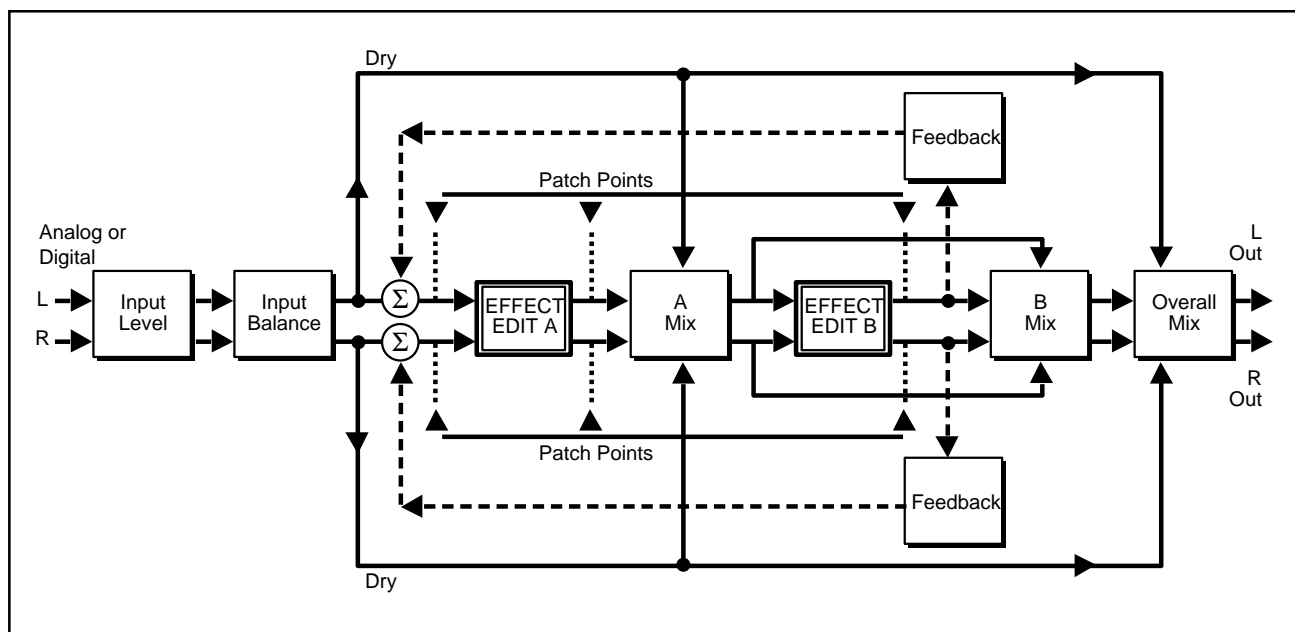
When working in a fixed format (with only analog or digital Dual Mono inputs), each machine has its own level control. The output of each level adjustment is split to each source balance control. Each Dual Mono Setup Preset defaults to ABAL panned to LEFT ONLY, and BBAL panned to RIGHT ONLY. (AIN, ABAL, BIN, and BBAL are located on Page Two of the Setup Edit mode.)

\*If you had, for example, a piano in the left input and a voice in the right input and both Balances were set to 50%, a summed input with equal amounts of piano and voice would be passed to each DSP engine.

A dry signal is picked off before the signal passes into each Split DSP Effect. The mono wet output of each DSP effect sums with the dry signal and is proportionally mixed under the MIX controls: AMIX and BMIX. The third SETUP EDIT page contains AMIX and BMIX.) Continuing with the above example, if both AMIX and BMIX were set to 0%WET (or 100% DRY), you could use AIN and BIN as level controls, mixing two independent signals to mono as part of an analog or digital process.

Cascade Setups are another type of “Split” configuration. They are numbered 301-325 in Setup Select mode. While in Setup Select mode, you can use the Soft knob to locate the Cascade Setups. Pressing ENTER will load two split type programs: one in Machine A, the other in Machine B.

### Cascade Setups



From the 300's Control mode, there are two input format selections available when running Cascade programs: Analog or Digital. If Analog is selected as the main input type, then the Digital Input can be used as a patch point — either Pre-Machine A, Mid A - B, or Post Machine B. As in the other setups, there are Input level and source Balance Controls. Cascade setups, however, have three mix controls. AMIX proportions the dry signal to A's wet signal. BMIX proportions the resulting A output with Machine B's output. OMIX takes the resulting A+B mix and blends(mixes) it with the dry signal which is picked off before EFFECTA. Cascade setups also include an overall feedback control which routes the B output back to Machine A's input. **Be careful!! This parameter can wipe out tweeters, woofers and ears if used too liberally.**

**Note:**

**If the sum of the feedback parameters in EFFECT A , EFFECT B and the above-mentioned overall Feedback parameter is greater than 100%, runaway feedback will occur.**

For example, assume Machine A is running a Dual delay effect with Delay1 Feedback set to 40% and Delay3 Feedback set to 40%. Machine B is running a Mono Shift program with the feedback parameter set to 40%. The total amount of feedback in the system is 80%. So far, so good.... that is until you add more than 20% Cascade Feedback. BE CAREFUL!!!!

CASCADE Setups offer an amazing number of effect combinations: Chambers into Delays, Pitch Shifts into Chambers, Flanges into Delays, Reverbs into Compressor, etc. You experiment, name, and store new combinations into User Setup Registers. Remember, Input levels, Source Balances, Mix Balances, Feedback amounts, LFO type, and, of course, the two effects are part of the storable Setup.

Setup Select mode allows you to select and run setup presets and registers.

## Setup Select Mode

The 300 is shipped with 100 setup presets, as well as 50 setup registers for storing your modified setups. The setup presets provide a convenient starting point for selecting the audio DSP routing you want to use. Note: Presets marked with an asterisk (\*) have a Soft knob patch.

### The Setup Presets

Single Setup Presets				
Setup #	Setup Name	Mach	Effect #	Effect Name
P101	Large Hall	A	P101	Large Hall
P102	Medium Hall	A	P102	Medium Hall
P103	Small Hall	A	P103	Small Hall
P104	*Church	A	P104	*Church
P105	*Rooms	A	P105	*Rooms
P106	RehursalRoom	A	P106	Rehursal Hall
P107	*Chamber	A	P106	*Chamber
P108	LiveDrumRoom	A	P108	LiveDrumRoom
P109	*Studio A	A	P109	*Studio A
P110	*Studio B	A	P110	*Studio B
P111	*Brick Wall	A	P111	*Brick Wall
P112	*Deep End	A	P112	*Deep End
P113	Oil Tanker	A	P113	Oil Tanker
P114	*Synth Hall	A	P114	*Synth Hall
P115	Dance Hall	A	P115	Dance Hall
P116	*Ambience	A	P201	*Ambience
P117	In A Room	A	P202	In A Room
P118	Stairwell	A	P203	Stairwell
P119	*Hangar	A	P204	*Hangar
P120	MarbleFoyer	A	P205	Marble Foyer
P121	EarlyReflect	A	P206	EarlyReflect
P122	Lecture Hall	A	P207	Lecture Hall
P123	*CarInterior	A	P208	*CarInterior
P124	Score Stage	A	P209	Score Stage
P125	Gate It!!	A	P210	Gate It!!
P126	*Rich Plate	A	P301	*Rich Plate
P127	Glossy Plate	A	P302	Glossy Plate
P128	Warm Plate	A	P303	Warm Plate
P129	Perc Plate	A	P304	Perc Plate
P130	Contem-Plate	A	P305	Contem-Plate
P131	*EKO Plate	A	P306	*EKO Plate
P132	Bright Plate	A	P307	Bright Plate
P133	*Round Plate	A	P308	*Round Plate
P134	StereoAdjust	A	P401	Stereo Adjust
P135	Phase Invert	A	P402	Phase Invert
P136	2 Frame Dly	A	P403	2 Frame Dly
P137	3 Frame Dly	A	P404	3 Frame Dly
P138	4 Frame Dly	A	P405	4 Frame Dly
P139	MS Decode	A	P406	MS Decode
P140	*MultiEchoes	A	P407	*MultiEchoes
P141	LFO Panner	A	P408	LFO Panner
P142	Telephone	A	P409	Telephone
P143	*Stereo Shift	A	P501	*Stereo Shift
P144	Octave Down	A	P502	Octave Down
P145	Vox Chorus	A	P503	Vox Chorus
P146	Pole Flange	A	P504	Pole Flange
P147	Bulkie Roll	A	P505	Bulkie Roll
P148	Heavy Roll	A	P506	Heavy Roll
P149	*Going, Going	A	P507	*Going, Going
P150	Zorch!	A	P508	Zorch!

Algorithms:

*Random Hall*

*Random Ambience*

*Rich Plate*

*Stereo Adjust*

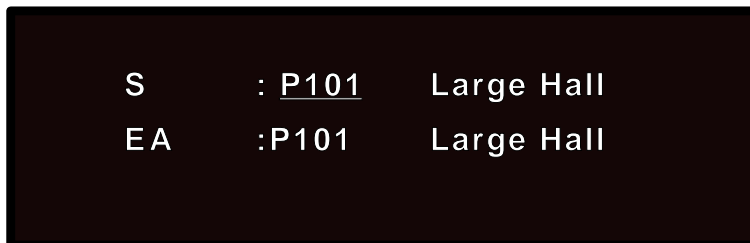
*Stereo Pitch Shift*

<b>Dual Mono Setup Presets</b>					
<b>Setup #</b>	<b>Setup Name</b>	<b>Mach A Effect #</b>	<b>Name</b>	<b>Mach B Effect #</b>	<b>Name</b>
P201	Rev/Rev	701	Chamber	702	Key Chamber
P202	Rev/Dly	703	Drum Chamber	607	LFO:Faze Delays
P203	Rev/Pch	705	Guitar Room	802	Guit Shift
P204	Rev/Comp	707	"U"Chamber	901	EZ Comp2:1
P205	Dly/Dly	609	Chorus	612	Chorus+EKOz
P206	*Dly/Pch	601	*Dual Delays	804	Sky Down
P207	Dly/Comp	602	Space Delays	902	DrumComp3:1
P208	*Pch/Pch	803	*Up Shift	806	Echo down
P209	Pch / Comp	810	Vocal Shift	902	DrumComp3:1
P210	Comp/Comp	901	EZ Comp	902	DrumComp 3:1
P211	Slow Spin	607	LFO:FazeDlys	609	Chorus
P212	WideFlang	605	OverTheTop1	606	OverTheTop2
P213	X-Traffic	612	Chorus+EKOz	610	*Sky Delays
P214	*GearUp	803	*Up Shift	805	Env*EKOShift
P215	TwoRooms	715	Joe's Garage	709	Basement
P216	TwoHalls	720	Recital Hall	710	Big Hall
P217	*Verbs	717	*Drum Rooms	711	*Great Room
P218	*RevPan	707	"U"Chamber	708	*L'Chamber
P219	Up&Down	807	HalfStepsUp	808	HalfStepsDn
P220	MyGuitar	802	Guit Shift	614	Env:Peak
P221	EnvSpoooge	614	Env:Peak	608	Env:Phazer
P222	FIng&Dlys	616	Negative Flang	602	Space Dlys
P223	*Dly Daze	604	*3VoiceDlys	603	*PingoPongo
P224	Clusters	612	Chorus+EKOz	604	*3Voice Dlys
P225	2 Flanges	606	OverTheTop2	804	Sky Down

<b>Cascade Setup Presets</b>					
<b>Setup #</b>	<b>Setup Name</b>	<b>Mach A Effect #</b>	<b>Name</b>	<b>Mach B Effect #</b>	<b>Name</b>
P301	Rev->*Dly	701	Chamber	601	*Dual Delays
P302	*Dly->*Rev	601	*Dual Delays	714	*Joe's B&G
P303	Rev->Pch	707	"U"Chamber	802	Guit Shift
P304	Pch->Rev	804	Sky Down	703	Drum Chamber
P305	Rev->Comp	705	Guitar Room	901	EZ Comp 2:1
P306	Comp->Rev	902	Drum Comp 3:1	709	Basement
P307	Dly->Pch	609	Chorus	801	Mono Shift
P308	Pch->*Dly	810	Vocal Shift	603	*PingoPongo
P309	*Dly->Comp	604	*3Voice Dly	901	EZ Comp 2:1
P310	Comp->*Dly	901	EZ Comp 2:1	613	*Wall Slaps
P311	Pch->Comp	802	Guit Shift	901	EZ Comp 2:1
P312	*SurrVerb	720	Recital Hall	010	*Small St Adj
P313	*V3Comp	010	*Small St Adj	901	EZ Comp 2:1
P314	V3Chamber	701	Chamber	001	PONS+Dither
P315	*SpaceOut	711	*Great Room	604	*3Voice Dlys
P316	*JetVerb	712	*Great Hall	616	NegativeFling
P317	BigBricks	713	Big Bricks	902	Drum Comp 3:1
P318	Rev->EKOz	710	Big Hall	612	Chorus+EKOz
P319	Rev->Korus	706	Big & Short	609	Chorus
P320	Over!Top	605	OverTheTop1	606	OverTheTop2
P321	GuitarXP	611	LFO:Pan&Faze	607	LFO:FazeDlys
P322	*EKO->Faze	805	Env*EKOShift	608	Env:Phazer
P323	Verb->Down	720	Recital Hall	806	Echo Down
P324	*The Sky	804	Sky Down	610	*Sky Delays
P325	Spinola	609	Chorus	011	Panola

To enter Setup Select mode, simply press the front-panel key labeled **SETUP Setup Select** SELECT. This mode has two pages of controls:

**Page One:**



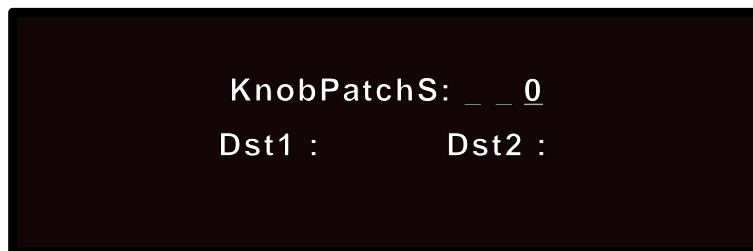
Page One allows selection of a setup. The upper line indicates "S:" (setup), a preset (P) or register (R) number, and the setup name. The upper row of buttons will step sequentially through the list of setups; turning the soft knob will scroll through the list. After finding a setup you want to load, note its number. There are two ways to load this setup:

Simply press ENTER while the number of the setup you want is selected on the display. If this is not the current setup, the number will flash on the display. If you do not press ENTER within a few seconds, the display will automatically change back to the current setup. Pressing ENTER once the display has changed will still load the selected setup.

or

Enter the setup number you want on the numeric keypad to select a setup. Press ENTER to load the setup.

**Page Two:**



This page displays the current Soft knob parameter value, as well as the *Setup* parameters which are patched to it.

**Page Three:**



This page displays the current Soft knob parameter value, as well as the *Effect* parameters which are patched to it.



### Using the Softknob as a Parameter Controller

The front panel Soft knob is primarily used to adjust different parameter values. This Soft knob can also be programmed (in Mod Edit mode) as a multi-parameter controller linking one or more parameters within Setups and Effects. The control portion of the Soft knob parameter is part of the Setup, and is set in Setup Select mode. The PAGE UP and PAGE DOWN keys enable you to utilize the Soft knob as a parameter controller.

#### Example:

Setup Preset DM 223 \*Delay Daze contains two effect presets (\*3Voice Dlys and \*Pingo Pongo), each of which has delay parameters mapped to the Soft knob.

Load \*Dly Daze, then press PAGE UP. The screen should display:

SoftknobA: 17  
DLY3 DLY4 Dst3 Dst4

or

SoftknobB: 17  
DLY1 DLY2 RDLY Dst4

SoftknobA is the Soft knob value for Machine A

SoftknobB is the Soft knob value for Machine B

SoftknobS is the Soft knob value for Setup Parameters

Note the current Soft knob value (this particular Setup has a preset value of 17), and the labels for the effect parameters linked to the knob (DLY3 and DLY4 for Soft knob A; DLY1, DLY2 and RDLY for Soft knob B).

Press VALUE to display the values of these effect parameters. Remember that the display can only show one Machine's effect at a time, to view parameters in the other Machine which might be linked to the Soft knob, press MACH.

Leave the display in the value mode while turning the Soft knob on the front panel, and you will see the displayed values change. The Soft knob parameter has a range of 127 steps.

Setup Edit mode is used to select the effect to be used in the setup. To enter Setup Edit mode, first go to Setup Select mode and select and load the setup you want to modify. With the setup selected, press SETUP EDIT.

## Setup Edit Mode

The specific items available on the various Setup Edit pages are determined by the type of Setup (Single, Dual Mono or Cascade) which is loaded.

Page 1 shows the Effect which is loaded in the currently running Setup and identifies the setup as SINGLE, DUAL MONO or CASCADE. The Effect ID number is underscored, indicating that you can load new Effect Presets or Registers. To select another Effect, simply turn the softknob to cue up a new Effect, then press ENTER.

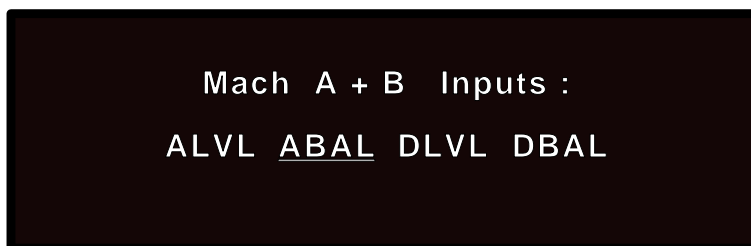
## Single Setups

### Page One



Page 2 provides adjustment for analog and digital level and source balance into the unified DSP engine. Simply press the key under the label of the control you want to adjust and turn the softknob. As you turn the softknob, a long text message will be displayed in the display. After a brief timeout, the display will return to its original state.

### Page Two



Note: Press VALUE to display parameter values rather than their labels. Once you become familiar with the page layouts in the 300, you may find this mode useful.

Single Setups have only one adjustable parameter on Page 3: OMIX. This control adjusts the proportion of “wet” signal to “dry” signal. Most SINGLE Setup Presets have OMIX set to “WET” (100% wet effects).

The LFO (Low Frequency Oscillator) is a control generator which is designed to modulate Effect or Setup parameters in the 300 when parameters are patched to it. The LFO has a shape and a rate (speed) function, available on Page Four. The shape can be SINEusoidal, TRIANGLE, SQUARE, or RANDOM. Rate is adjustable from Off to 9.0Hz.

The action of the meters is determined on Page Five. The choices are:

ANA IN (Analog In) for either Left or Right channel

DIG IN (Digital In) for either Left or Right channel

FX-OUT for either Left or Right channel (commonly referred to as the WET BUS)

Note: If you choose Left Meter or Right Meter as Patch sources when making MOD Edits, you are essentially linking the ballistics of the meter to the assigned destination.

Pages Six and Seven allow you to make as many as two MOD patches in the Setup domain. As an example, try patching the LFO to a Balance parameter as follows:

1. The display should read:

Patch #1S	<u>DEST</u>	VALUE
SOURCE	THRS	SCALE

2. If DEST is not underscored, press the button directly beneath it to select it. Once it is underscored, turn the softknob to select ANALOG BALANCE. The display will revert to its state in Step 1 after approximately 20 seconds. To return immediately to this display, press SETUP EDIT.
3. Select SOURCE by pressing the button directly beneath it. Turn the softknob fully clockwise until the display reads LFO\_1.
4. Before doing anything else, press PAGE UP twice to the LFO control page. Select RATE and adjust it to .07Hz. (Leave Shape at SINE.) The display should start to flicker.
5. Press PAGE UP twice to the Level and Balance Page. Press the VALUE key. The value of ABAL (balance) should be modulating from left to right.

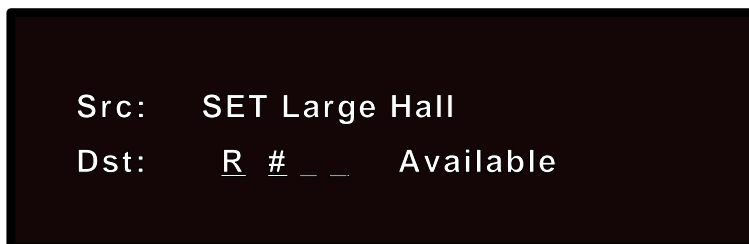
Although very simplified, this is the basic model for making MOD patches in the 300.

To disable the patch, press SETUP SELECT and reselect the Setup, thereby restoring the original settings. Alternatively, you can return to the LFO Rate page, and set the rate to OFF.

On Page Eight you can name your Setup prior to storing it into a register. The arrow (cursor) keys allow you to select a letter to change; the softknob actually changes the character. The maximum length of a name is 12 characters.

When you have made all the necessary changes to a setup and want to save it in a register, press STORE. The display will show:

### Storing the Setup



The top line of the display shows the source (Src) — the currently selected setup name. The bottom line shows the destination (Dst) — the register number into which the the setup will be copied. Use the Soft knob to select the register number you want, then press STORE again. The display will return to the last Setup Edit page.

Note: The 300 has a memory protection feature which enables or disables copying into the registers. When Copy Tools are disabled, all storing functions are inhibited. The Control mode Copy Tools page allows this feature to be enabled or disabled. For more details, see the section describing Control mode at the end of this chapter.

In both Dual Mono and Cascade Setups, Page One shows the Preset or Register location and the full name of each Effect (A and B). Whichever Preset or Register number is underscored is available for loading a new program. To select the other machine, press any of the keys beneath the display. The alternate machine's Effect should be underscored. Turn the softknob to locate a new program; press ENTER to load the program.

### Dual Mono and Cascade Setups

Note: The 300 automatically knows what Presets or Registers are loadable in the current Setup. Split algorithms, such as Mono Shift or Dual Delay will never be displayed if a Single Setup is running.

In Dual Mono Setups, Page Two provides adjustment for Level and Balance in both Machine A and Machine B. Ordinarily Machine A and B are loaded Full Level in the factory presets. Most of the presets default to Machine A receiving audio from the Left Input and Machine B from the Right Input.

Cascade Setups have three controls on Page Two: INP, BAL and FDBK.

INP (Input) sets the gain going into Machine A (which feeds Machine B).

BAL (Balance) adjusts the blend of Left/Right information into Machine A.

FDBK (Feedback) adjusts the output of Machine B back into the input of Machine A. **This is a very dangerous control. Be careful!**

Dual Mono Setups provide two Mix controls on Page Three: AMIX and BMIX. These are independent mix controls for each machine.

Cascade Setups provide three Mix controls on Page Three: AMIX, BMIX and OMIX.

AMIX varies the amount of “dry” input in Machine A’s wet output. This Mixture of wet and dry (if any) is passed along to the input of Machine B.

BMIX adjusts the proportion of Machine A’s wet output to the “wet” output of Machine B.

OMIX takes that mix result and mixes it with the “Dry” input signal.

The LFO (Low Frequency Oscillator) is a control generator which is designed to modulate Effect or Setup parameters in the 300 when parameters are patched to it. The LFO has a shape and a rate (speed) function, available on Page Four. The shape can be SINEusoidal, TRIANGLE, SQUARE, or RANDOM. Rate is adjustable from Off to 9.0Hz.

The action of the meters (FX-OUT for either Left or Right channel) is determined on Page Five.


Note: If you choose Left Meter or Right Meter as Patch sources when making MOD Edits, you are essentially linking the ballistics of the meter to the destination parameter.

Pages Six and Seven allow you to make as many as two MOD patches in the Setup domain.

### Storing the Setup

On Page Eight you can name your Setup prior to storing it into a register. The arrow (cursor) keys allow you to select a letter to change; the softknob actually changes the character. The maximum length of a name is 12 characters.

When you have made all the necessary changes to a setup and want to save it in a register, press STORE. The display will show:



```
Src: SET DM: Rev/Rev
Dst: R #____ Available
```

The top line of the display shows the source (Src) — the currently selected setup name. The bottom line shows the destination (Dst) — the register number into which the the setup will be copied. Use the Soft knob to select the register number you want, then press STORE again. The display will return to the last Setup Edit page.

Note: The 300 has a memory protection feature which enables or disables copying into the registers. When Copy Tools are disabled, all storing functions are inhibited. The Control mode Copy Tools page allows this feature to be enabled or disabled. For more details, see the section describing Control mode at the end of this chapter.

## Naming the Setup



The bottom line of the display shows the name of the current setup, with a cursor positioned under the first character. The two keys directly above the left and right arrows cause the cursor to move left and right to select other characters.

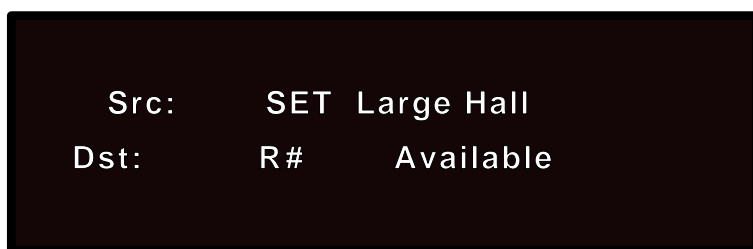
Pressing the key directly above "INS" adds a blank space wherever the cursor is currently positioned in the display. Pressing the key directly above "DEL" removes the underscored character.

Turning the soft knob alters the underscored character. (Available characters include: 0-9, a-z, A-Z, and an assortment of symbols.)

To rename the setup, simply position the cursor under the first character of the current name, turn the softknob to replace this character with the first character of the name you want, select the next character and change it, etc.

When you have made all the necessary changes to a setup and want to save it in a register, press STORE. The display will show:

## Storing the Setup



The top line of the display shows the source (Src) — the currently selected setup name. The bottom line shows the destination (Dst) — the register number into which the the setup will be copied. Use the Soft knob to select the register number you want, then press STORE again. The display will return to the last Setup Edit page.

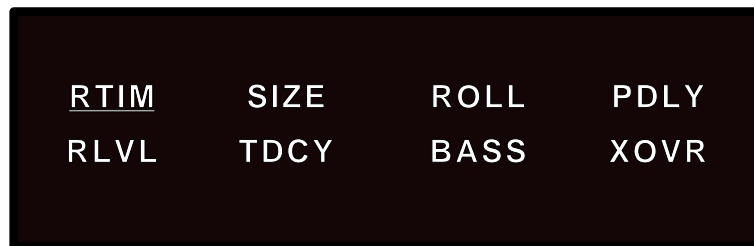
Note: The 300 has a memory protection feature which enables or disables copying into the registers. When Copy Tools are disabled, all storing functions are inhibited. The Control mode Copy Tools page allows this feature to be enabled or disabled. For more details, see the section describing Control mode at the end of this chapter.

## Effect Edit Mode

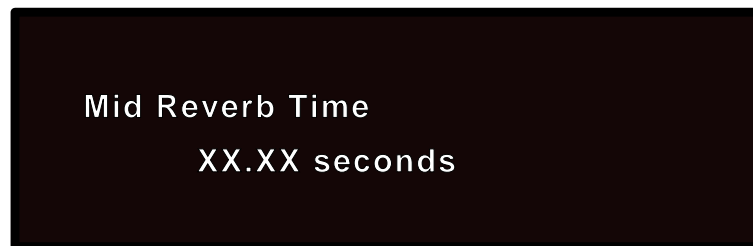
The 300 is shipped with 100 effect presets. Sooner or later you will want to alter the sounds of these effects to more perfectly fit your requirements. To do this, go to Run mode and load a preset setup that uses the effect you want to edit — or select and load the effect you want to edit from Page One in Setup Edit mode. Once the setup is loaded, pressing EFFECT EDIT will put you in Effect Edit mode with the display showing one page of the parameters available for the algorithm driving that effect.

## Parameter Selection

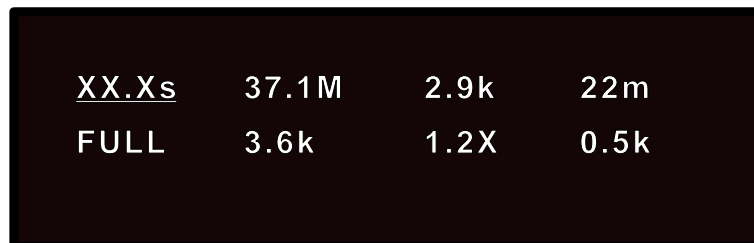
The algorithms and their parameters are described in detail in Chapter 4. We've chosen the first page of Random Hall parameters to show here as an example:



The buttons directly above and below each display entry will select that parameter. Once selected, parameters can be adjusted over their entire range with the Soft knob. The parameter and its current value will appear on the display as long as the Soft knob is being adjusted. In the example above, "RTIM" has been selected — turning the Soft knob will alter the parameter value, and cause the display to show:



Pressing the front panel VALUE key will display all of the current parameter values for the selected page. In this example, pressing VALUE will cause the following display to appear:



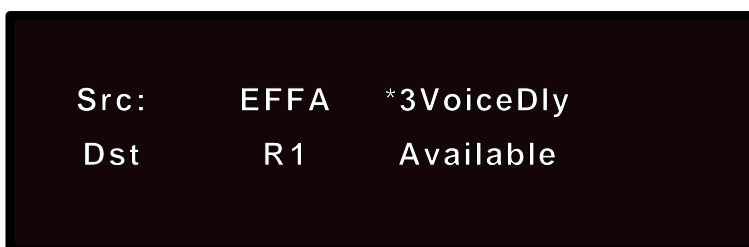
Here again, turning the Soft knob will adjust the selected parameter over its entire range; the soft buttons will select other parameters for adjustment. The PAGE UP and PAGE DOWN keys are used to access various pages of additional parameters which can then be edited via the Soft knob.

When changes have been made on a page, and you move to a new page, the previous edits remain intact. However, when a new effect is loaded, edits will be lost unless you have stored the edited effect in a register.

In Split Setups, effects are loaded into both Machine A and Machine B. Use the MACH button to toggle between Machine Effects.

The 300 has 50 registers available to store edited versions of the preset effects. After you have made the changes you want to an effect's parameters, you can store the changed version into an effect register simply by pressing STORE. The following display will appear:

## Naming and Storing Effects



```

Src:   EFFA   *3VoiceDly
Dst    R1     Available

```

The display will show the name of the current effect (in this example, \*#VoiceDly, running in Machine A), and a register location.

Press the button directly beneath "R#" to select a different register with the Soft knob. Press STORE again to complete the operation. Once registers are filled, they can be selected and loaded exactly like presets. You can edit parameters in a register, and store the results in the same register or another register.)

When you store a register, the edited effect still has the same name as the original effect. To avoid confusion, you can assign names to registers. For convenience, a naming page is included in Effect Edit mode. To rename a register, follow the same procedure described for naming a Setup.



## Mod Edit Mode

Mod Edit mode is used to create or modify Dynamic MIDI® patches. To use Dynamic MIDI®, you assign a MIDI controller or an event to a setup parameter or an effect parameter, using the patch parameters found on the pages in Mod Edit. (Two pages for Setup patches are available in Setup Edit mode.) Four parameter patch pages are available at any one time in Mod Edit mode. The pages will be for Machine A or Machine B, depending on the type of setup currently running, and on the machine currently selected.

Each of the four available patch pages shows the following parameters:

Patch # 1A	DEST	VALUE
SOURCE	THRS	SCALE

- Off
- Cntrl- 0
- ModWheel
- Breath
- Cntrl-3
- FootPedal
- PortaTime
- Volume
- Cntrl-9
- Pan
- Expression
- Cntrl-12-15
- GP Cntrl-1-4
- Cntrl-20-31
- Sustain
- PortaSw
- SostenSw
- SoftPedal
- Switch-68-79
- GP Cntrl-5-8
- Sitch-84-95
- PitchWheel
- AfterTouch
- LastNote
- LastVel
- MidiClock
- Knob->
- L-Meter
- R-Meter
- LFO-1

Available "Source" selections

**Destination:** This is used to select the effect parameter that the MIDI controller is patched to. The available parameters are based on the algorithm that you are currently running.

**Value:** This is used to set the initial value of the parameter that you are controlling. This is provided as a convenience so that you do not have to go into Effect Edit mode to view the available parameters of the running algorithm.

**Source:** This is used to select the MIDI controller, or event, that will control an effect parameter in the 300. The list contains the selections shown to the left.

**Threshold:** This is used to set the controller value below which the controller will not have an effect on the parameter.

**Scale:** This is used to set the effective control range of the MIDI controller. Scaling can be set from -200% to +200%. When Scale is set to 100%, the full range of the MIDI controller will cover the full range of the selected parameter. Setting a negative value will cause the 300 to reduce the setting of the parameter as the controller increases.

You can store any patches you create with the Effect simply by pressing STORE, selecting a register number with the Soft knob, and then pressing STORE again.

**Note: Be extremely careful when creating patches while a MIDI device is connected. If you accidentally send a MIDI Program Change before saving the patches in a register, they will be lost. To avoid this possibility, you may want to set the MIDI Master Channel (in Control Mode) to OFF, or unplug the MIDI cable from the 300's rear-panel MIDI IN connector.**

**Soft knob Patches**

Soft knob patches are made in MOD Edit mode. Press MOD EDIT to display one of the four possible patches in each Machine. Press PAGE UP or PAGE DOWN to view other patches in the same effect. Press MACH to display patches in the other Machine.

**Example:**

Setup Preset DM 223 \*Delay Daze contains two effect presets (\*3Voice Dlys and \*Pingo Pongo), each of which has delay parameters mapped to the Soft knob. The \*3Voice Dlys effect preset loaded into Machine A, has 2 patches (DLY3 and DLY4); the \*Pingo Pongo effect preset loaded into Machine B, has 3 patches (DLY1, DLY2 and RDLY). Press VALUE to display the actual values of each patch.

Selecting any of these parameters (or any field labeled Dst#) allows you to select a different parameter to be patched to the Soft knob. Patched parameters become part of the Setup, and control of their values is accessed in Setup Select mode.

A Patch page viewed in "Label" mode:

Patch # 1A	DEST	VALUE
SOURCE	THRESH	SCALE

A Patch page viewed in "View" mode:

Patch # 1A	Dly3	120m
Knob->	<u>17</u>	65%

Soft knob patches are made just like other MIDI patches; Choose the Destination first (the parameter you wish to control), then the source controller (the MIDI controller; Softknob, LFO, Mod Wheel, Pitch bender, etc.), then a scaling amount (+% to increment or -% to decrement the parameter).

In the value mode, if you select "knob->" as a source controller, the actual Soft knob value can be adjusted. Press the button directly under the Soft knob value. In this example this would be the button under "17". Now, as you turn the Soft knob, the MOD EDIT display will show the interaction between the Soft knob controller and the patched effect parameter.

Remember! All MOD Edits are an extension of the individual effect. There are four patches in each effect (machine). Therefore, all MOD patches are stored with the effect. However, it is important to realize that the Soft knob parameter controller is much like any other external MIDI controller, in that it is actually part of the *Setup*.

If the Soft knob value is set to 37<sub>1</sub> and then stored into a Setup Register, when you recall that Setup, the knob will automatically set the effect parameter value which it controls.

It is also important to understand that, if you load a Setup which has a Soft knob value of say, 66, and then load any other effect(s) into that setup, *any Soft knob patches which exist in the newly loaded effect(s) will cause the linked parameters to jump to some new value.* The Soft knob value controls the linked parameter(s) at all times.

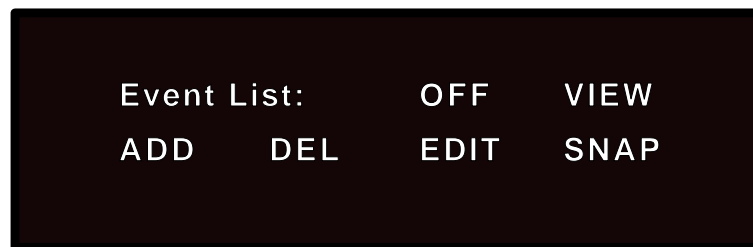
**Control Mode** Control mode provides access to general global parameters and miscellaneous functions including audio configuration. Selecting Control mode does not interrupt the audio operation of the 300.

There are nine Control mode pages:

- Event List
- MIDI Mode and Map Table
- Machine Configuration
- Digital Interface and Sampling Rates
- SCMS Mode
- Emphasis
- Bypass/Effect Load Mode
- Copy Tools
- Purge Tools

Each of these pages is described below.

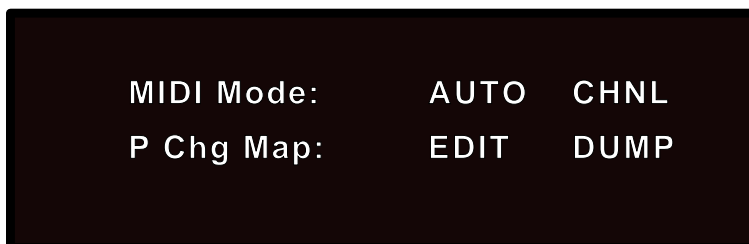
**Page One**  
**Time Code Event List**



This page allows creation and modification of a list of up to 50 events triggered standard timecode or MIDI timecode. Four main functions are provided: Add, Delete, Edit and Snap. (For more information, see Chapter 6: *Time Code Operation*.)

## Page Two MIDI Mode and Map Table

The MIDI Control page allows you to specify mapping of MIDI Non-registered parameters, System Exclusive messages or Program Change messages to the 300 registers. The button directly above "AUTO" allows you to set this MIDI Mode.



On the upper line, selecting "AUTO" activates output automation on the 300. The choices are OFF, SysEx, Non-registered parameters, and Program Change Only. When the AUTO Mode is set to "OFF", the 300 will not output MIDI data.

Note: In "Program Change Only" automation mode, effect registers R29-50 are not transmitted as their sequence numbers fall outside of the range of what can be legally represented by a MIDI data byte (0x00-0x7F). Therefore:

program change # 0x00-0x63 = E: P1-100

program change # 0x64-0x7F = E: R1-28

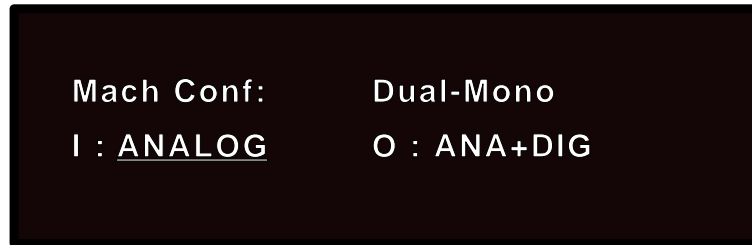
(For more information on Automation, see MIDI Operation.)

Selecting "CHNL" allows you to set the system and machine channels on which the 300 can send and receive messages. Possible settings are: 1-16, OMNI. All bulk dump and SysEx messages, except Program Change, follow the system channel, while all generic MIDI and Non-registered parameter messages follow the machine channel assignment.

Selecting "EDIT" allows you to specify the MIDI mapping mode. The three choices available are: OFF, FIX or MAP. For complete information on the MIDI Table, see Chapter 7: *MIDI Operation*.

Selecting "DUMP" allows you to dump all registers, the current setup, the MIDI Map Table, or a MIDI Timecode Event List.

### Page Three Machine Configuration



The upper line of this page describes the current machine configuration (Single, Dual Mono or Cascade). The information that appears here is determined by the type of Setup currently running.

Either of the two left buttons on the bottom allow selection of Input: ANALOG and DIGITAL are available as choices with all types of setups. A>L D>R (Analog/Left, Digital/Right), or D>L A>R (Digital/Left, Analog/Right) is available for selection in Dual Mono setups..

The two right buttons on the bottom row allow selection of Output: ANA+DIG is available in all setup types. A(D Pre), or A(D Pst) and D(A Pre), or D(A Pst) are available in Dual Mono setups. Cascade setups display choice between A(D Pre, Mid or Pst) and D(A Pre, Mid or Pst) for patch point selection.

### Page Four Digital Interface and Sampling Rates



This upper line of this page describes the current format being input to the 300. When no digital signal is present, the display will show "\* \* \* \* \*" as above.

If the incoming audio signal is analog, selecting "Clk" allows Soft knob selection of the system sample rate for analog operation: 48kHz or 44.1kHz. (The appropriate sample rate LEDs on the left side of the display will illuminate to indicate the sample rate selected.) If the input is digital, the system will automatically lock to the sample rate of the incoming data and display "Lock." Otherwise, "\*\*\*\*" will be displayed to indicate that the incoming digital signal has not yet been detected.

Either of the two left buttons on the bottom allow selection of AES or SPDIF as output format.

The two right buttons on the bottom row allow you to specify the connector used for audio input: XLR, RCA, or OPT.

**Page Five  
SCMS Mode**

```

SCMS Inp:      XX
SCMS Out:      MULT-COPY

```

This page provides control over the SCMS (Serial Copy Management System) bits embedded in certain digital audio formats. The upper line of this page describes the SCMS status of your input source.

Either of the two right buttons on the bottom allow Soft knob selection of the SCMS setting which will be output by the 300. The choices are: NO COPY, ONE COPY and MULT-COPY.

**Page Six  
Emphasis**

```

Emph Inp:      D>N      A>N
Emph Out:      D>N      A>N

```

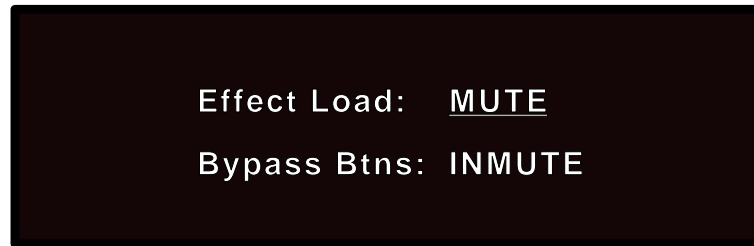
The top line (I) displays the input status of the incoming digital audio signal. (\*\*\*\*\* if none detected). The bottom line (O) shows your selections for the output data stream.

The soft buttons act as toggle switches for the selections on this page. The Soft knob can also be used to alter selected items.

"D>N" on the top line shows the Incoming pre-emphasis bit status (in this example "N"). Pressing the key directly below "D>N" sets the bit's outgoing status, Y(on) or N(off).

The rightmost buttons on both the top and bottom row select analog pre- and de-emphasis. The choices are: Y (on) or N (off). Control of emphasis/de-emphasis links the input and output, i.e. you can select both or neither.

**Page Seven**  
**Bypass/Effect Load Mode**



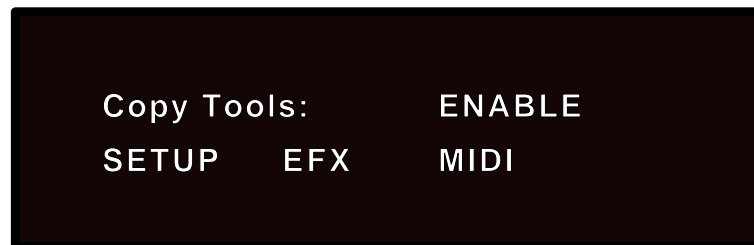
If you change between setups which use different algorithms, the system will either mute or bypass while the parameter changes are being made, depending on the selection you make here under "Effect Load".

Selecting "MUTE" will mute the analog and digital outputs during these transitions; selecting "BYPASS" allows you to hear the unprocessed audio signal.

This page also allows you to select whether the front panel BYPASS buttons mute the incoming signal (INMUTE) or bypass processing (BYPASS).

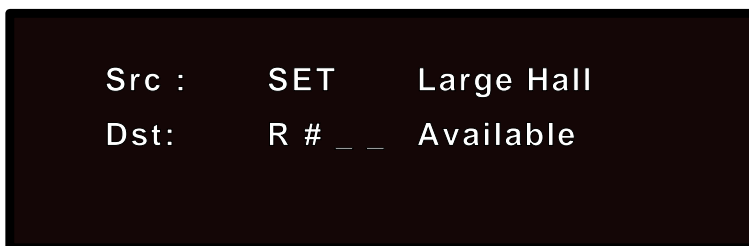
**Page Eight**  
**Copy Tools**

The Copy Tools page allows you to copy setups, effects, or the mod portion of effects into the registers. This page also allows you to enable and disable the 300's memory protection function. When you call up the Copy Tools page, the display will show:



The upper line on this page allows you to enable, or prohibit, the 300's copy functions. Pressing either of the two righthand buttons above the display will toggle the memory protect function between "ENABLE" and "DISABLE". Disabling the memory function will prevent: Event List and MIDI Map editing, Setup and Effect storing, Setup and Effect copying, as well as incoming MIDI loads of any of the above.

The lower line allows selection of: "SETUP", "EFX", or "MIDI". Selecting "SETUP" will cause the display to show:



Select "Src" and use the Soft knob to designate a setup number (or the current setup) to be copied; select "Dst" and use the Soft knob to specify the register number where you want this copy stored. When you have made these selections, press STORE.

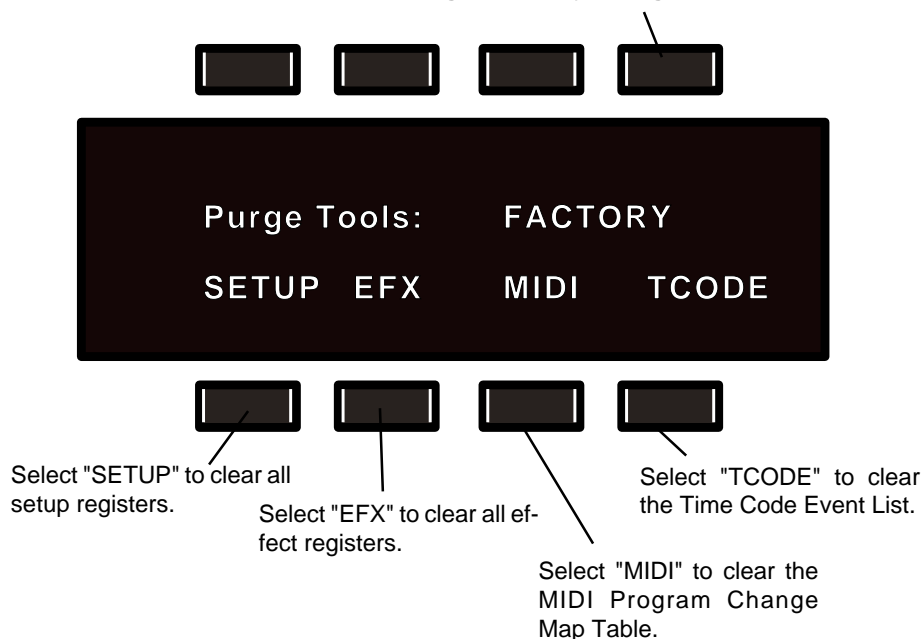
Selecting "EFX" will cause a similar page to appear which allows you to copy the effect and the patches used in any effect to any other register.

Selecting "MIDI" allows you to copy patches from one effect to another.

The Purge page allows you to delete all setup or effect registers, the MIDI Program Change Map Table, or the Time Code Event List. It also allows reinitialization of a Lexicon demonstration (erasing all user effects and Time Code Event List data), and a complete reinitialization of the system to its factory configuration.

**Page Nine  
Purge Tools**

Selecting "FACTORY" restores the 300 to its factory memory configuration. **This selection will destroy all user modifications of the original factory configurations.**



Pressing any of the active buttons to select one of these options will cause the display of a warning prompt. When this prompt appears, press STORE to execute the function.

**Be careful! These functions permanently erase user information.**



# 4

---

## The Algorithms and their Parameters

## Single Setup Algorithms

### Random Hall

#### General Description

The 300 incorporates the results of a great deal of research into acoustics and reverberation. Reverberation, or reflected sound energy, gives recorded music a sense of being performed in a real acoustic location.

In the 300, the SIZE, SPREAD and SHAPE controls allow adjustment of the buildup and decay of the initial part of the reverberation envelope. SHAPE controls the shape of the envelope, while SPREAD and SIZE set the time over which this shape is active.

In the Random Hall program, SIZE acts as a master control for the apparent size of the space being created by the 300. Both SPREAD and RTIM vary *linearly* with the setting of SIZE. Thus maximum reverb time and spread require high settings of SIZE. To find an appropriate reverb sound, start with a preset with a similar sound to what you want to end up with. Simply varying SIZE is often sufficient to arrive at the exact sound you are seeking.

Once a size has been selected, SPREAD and SHAPE are used to adjust the shape and duration of the initial reverb envelope, which together provide the major sonic impression of room size.

When SHAPE is at minimum, the reverberation envelope builds up very quickly to a maximum amplitude, and then dies away quickly at a smooth rate. This envelope is characteristic of small reverberation chambers and reverberation plates. There are few (if any) size cues in this envelope, so it is ineffective in creating ambience. With this SHAPE setting, SPREAD has no effect. The density is set by the size control, and the rate of decay is set by RTIM. This reverberation envelope is typical of many of the popular digital reverberators of the last few years.

As SHAPE is raised to about 1/8 of its range, the initial sharp attack of the reverberation is reduced, and reverberation builds more slowly. The envelope then sustains briefly before it begins to die away at the rate set by RTIM. SPREAD has little or no effect on this shape.

When SHAPE is at 1/4 of its range, buildup is even slower and the sustain is longer. Now SPREAD affects the length of both the buildup and the sustain. As a rough estimate, the sustain will be approximately the time value indicated by the SPREAD display (in milliseconds).

As SHAPE is raised further, the buildup and sustain remain similar, but now a secondary sustain appears in the envelope, at a lower level than the first. This secondary plateau simulates a very diffused reflection off the back wall of a hall, and is effective in creating a sense of size and space. This reflection becomes stronger and stronger, reaching an optimal loudness when SHAPE is at about 1/2 of its range.

The highest SHAPE settings are typically used for effects. Near the top of the scale the back wall reflection becomes stronger than the earlier part of the envelope, resulting in an inverse sound.

Note that none of these shape effects are audible unless RTIM is set short enough. Generally, RTIM should be set to a value of about 1.2 seconds for small rooms, and up to 2.4 seconds or so for halls. SIZE should also be set to a value appropriate to the desired hall size (note, however, that small sizes color the reverberation). 15 meters makes a very small room, and 38 meters is useful for a large hall.

Used with care SHAPE and SPREAD allow the 300 to produce superior ambience—a sound which is spacious and has great depth—without the long reverberation of a church.

The Random Hall algorithm in the 300 incorporates random delay elements. These elements have several effects. First, there is a reduction of long-lived modes in the reverberant decay, which makes the decay less metallic and reduces the apparent reverb time. The random elements also improve the steady-state timbre of the program.

### Random Delays

The speed at which the delay elements move is controlled by SPIN. Values of SPIN which are higher than about 38 can cause audible pitch wobble in very critical material (such as classical guitar or piano and can also cause noise on pure tones. This noise is not audible in speech, however, and, for mixed music or speech, values up to 48 will give an improved sound. WANDER is typically set to about 10ms at larger settings of SIZE. The effect of WANDER is reduced for small SIZES.

When you set out to create a sound, the first and most important decision is how big a space you want. The best way to start is to listen to several presets and choose the one which sounds closest to what you have in mind. If necessary, use SIZE to make a slightly larger or smaller sound, as needed.

### Creating a Realistic Sound

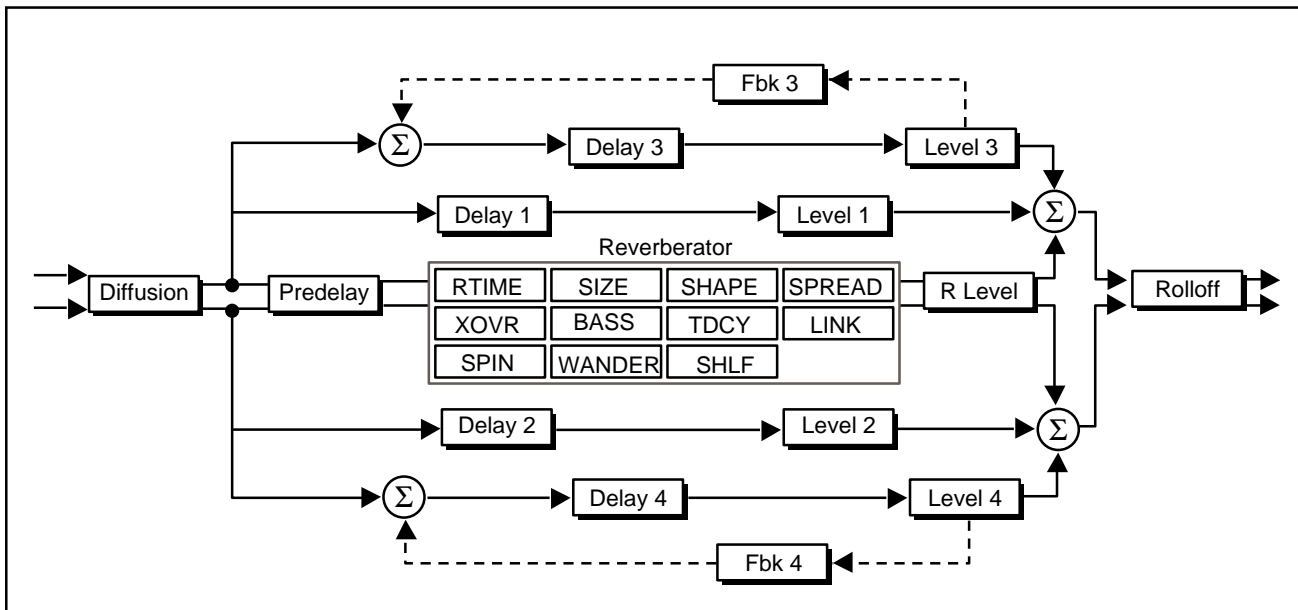
Next use RTIM to fine-tune the amount of time the reverberation takes to die away at the end of musical phrases. Actual halls vary a great deal in their actual RTIM values. The setting of the BASS is also critical in matching the sound of an existing hall. An ideal concert hall would have a BASS setting of 1.2. It is rare when actual physical spaces exceed 1.5. Many (if not most) good recording environments have values of BASS of 1.0 or less, so a value of 0.8 could be tried when attempting to match an existing hall.

There are two additional controls to deal with. SHAPE and SPREAD adjust the effective reverb time when the music is running. Higher values of SHAPE and SPREAD produce a longer effective reverb time. Longer effective reverb times give greater spaciousness to the sound.

The 300 reverberation algorithm offers the option of adding early reflections (pre-echoes) which have been made into diffused clusters of pre-echoes. The density of the cluster is set by the DIFFUSION control. We recommend that these pre-echoes be used with caution, unless you are trying to match the sound of the reverberation to a particular location where such reflections are strong.

### Random Hall Parameters

Random Hall Basic Sounds			
<b>RTIM</b>	<b>SIZE</b>	<b>ROLL</b>	<b>PDLY</b>
.02-60.49s	4-39.4M	0.1-26.5kHz, Flat	0-1000ms
<b>RLVL</b>	<b>TDCY</b>	<b>BASS</b>	<b>XOVR</b>
Off-48dB-Up Full	0.5-21.2kHz	0.2x-4.0x	0.1-26.5kHz
Random Hall Tweaks			
<b>SPIN</b>	<b>WAND</b>	<b>SHAP</b>	<b>SPRD</b>
0-48	0µs-37.1ms	0-255	0-250
<b>DIFF</b>	<b>LINK</b>	<b>SHLF</b>	<b>SIZE</b>
0-99	Link/Unlink	Off-24dB-Up Full	4-39.4M
Random Hall Pre-Echoes			
<b>DLY1</b>	<b>DLY2</b>	<b>RTIM</b>	-
0-1000ms	0-1000ms	.24-65.39s	-
<b>LVL1</b>	<b>LVL2</b>	<b>RLVL</b>	-
Off-24dB-Up Full	Off-24dB-Up Full	Off-24dB-Up Full	-
Feedback Pre-Echoes			
<b>DLY3</b>	<b>FBK3</b>	<b>DLY4</b>	<b>FBK4</b>
0-2800ms	-93 to +93%	0-2800ms	-93 to +93%
<b>LVL3</b>		<b>LVL4</b>	
Off-24dB-Up Full		Off-24dB-Up Full	
Effect Naming Page			



### Random Hall Basic Sounds Page

**RTIM (Mid-Frequency Reverb Time)**

RTIM sets the reverb time for mid-frequency signals. Because low-frequency reverb time (BASS) is a multiplier of RTIM, RTIM acts as a master control for the reverb time.

**SIZE**

SIZE sets the rate of buildup of diffusion after the initial period (which is controlled by DIFF). It also acts as a master control for RTIM and SPRD. The SIZE control changes a reverb sound from very large to very small. Generally,

you should set the SIZE control to approximate the size of the acoustic space you are trying to create, before adjusting anything else. The size in meters is roughly equal to the longest dimension of the space. Moving SIZE while a signal is present may cause audible transients on critical material.

The apparent size of the space created is actually a combination of the settings of the SIZE, SHAP, and SPRD controls. Small acoustic spaces are characterized by a rapid buildup of diffusion. However, both small and large spaces frequently have an uneven buildup of initial reverberation. This uneven buildup is controlled by the SPRD and SHAP controls.

ROLL sets the frequency above which a 6 dB/octave low-pass filter attenuates the processed signal. It attenuates both pre-echoes and reverberant sound. High frequencies are often rolled off with this parameter, resulting in more natural sounding reverberation. The low-pass characteristic can be modified to a shelving characteristic with the SHLF control. When SHLF is off, ROLL is typically set between 2kHz and 4kHz.

#### **ROLL (Hi Freq Rolloff)**

PDLY adjusts an additional time delay between the input of signal and the onset of reverberation. The control is not intended to mimic the time delays in natural spaces. In real rooms the build-up of reverberation is gradual, and the initial time gap is usually relatively short. Natural spaces are best emulated by setting SHAP at a middle value and adjusting SPRD for the desired effective pre-delay.

#### **PDLY (Pre-Delay)**

Additional delay added with the PDLY control can increase the initial time gap slightly, emulating a situation where reverberant pick-up microphones are located much further from the source than the main microphones. If less than about 30ms of pre-delay is added, this additional delay can add clarity with some music, but it can also sound unnatural. Large pre-delays can be useful for slap-echo effects.

RLVL sets the amount of reverberation in the processed signal. It is normally FULL, but may be reduced for effects where the pre-echoes should dominate.

#### **RLVL (Reverb Level)**

TDCY sets the frequency above which sounds decay at a progressively faster rate. It filters all the sound except the pre-echoes. When set relatively low, it gives a darker tone to the reverberation, simulating the effect of air absorption in a real hall. TDCY also helps keep the ambience generated by the program from muddying the direct sound.

#### **TDCY (Treble Decay)**

BASS sets the reverb time for low-frequency signals, as a multiplier of the RTIM parameter. For example, if BASS is set to 2X, and RTIM is set to two seconds, the low frequency reverb time will be four seconds. For a natural-sounding hall ambience, we recommend values of 1.5X or less.

#### **BASS (Bass Multiply)**

XOVR sets the frequency at which the transition from RTIM to BASS takes place. XOVR should be set at least two octaves higher than the low frequency you want to boost. For example, to boost a signal at 100 Hz, set XOVR to 400 Hz (This setting works well for classical music). XOVR works best around 400 for boosting low frequencies, and around 1.5 kHz for cutting low frequencies.

#### **XOVR (Bass Crossover)**

## Random Hall Tweaks Page

**SPIN (Randomization)** SPIN affects the movement of the reverberation tail. The object of SPIN (and WAND) is to continuously alter the timbre of the reverberant sound. This makes the result more natural, without making the position of instruments unstable. SPIN should typically be 20 or higher. High values may make the pitch of piano or guitar unstable.

**WAND (Wander)** WAND sets the distance in time that the early reflections will move. For best results WAND should be about 10ms at larger sizes.

**SHAP (Shape)** SHAP and SPRD work together to control the overall ambience of the reverberation created by the 300. SHAP determines the contour of the reverberation envelope. With SHAP all the way down, reverberation builds explosively, and decays quickly.

As SHAP is advanced, reverberation builds up more slowly and sustains for the time set by SPRD. With SHAP in the middle, the buildup and sustain of the reverberation envelope emulates a large concert hall (assuming that SPRD is at least halfway up, and that SIZE is suitably large—30 meters or larger.)

**SPRD (Spread)** SPRD works together with SHAP to control the duration of the initial ambience created by the 300. Low SPRD settings result in a rapid onset of reverberation at the beginning of the envelope, with little or no sustain. Higher settings spread out both the buildup and sustain.

**DIFF (Diffusion)** DIFF controls the degree to which initial echo density increases over time. High settings of DIFF result in high initial buildup of echo density, and low settings cause low initial buildup. Echo density is also affected by SIZE; smaller spaces will sound denser. To enhance percussion, use high settings of diffusion. For clearer and more natural vocals, mixes, and piano music, use low or moderate settings of diffusion.

**LINK** When LINK is set, the reverb time and spread values scale linearly as the SIZE control is varied. For some special effects, RTIM and SPRD can be unlinked.

**SHLF** SHLF modifies the low-pass characteristic of the rolloff control, turning it into a shelving filter. SHLF sets the gain of an output path which is mixed with the output of ROLL to form the main reverberant output. Both the pre-echoes and the reverberation are affected. For example, if SHLF is set to -6dB, frequencies below approximately ROLL/2 will be boosted by 3.5dB; above approximately ROLL x 2, the response will be flat.

SHLF provides a method for making the spectral content of the reverberation match the ideal spectrum for musical acoustics in rooms. For this application, ROLL should be set between 700 and 1.5kHz, with SHLF set between 12 and -6dB.

SIZE sets the rate of buildup of diffusion after the initial period (which is controlled by DIFF). It also acts as a master control for RTIM and SPRD. The SIZE control changes a reverb sound from very large to very small. Generally, you should set the SIZE control to approximate the size of the acoustic space you are trying to create, before adjusting anything else. The size in meters is roughly equal to the longest dimension of the space. Moving SIZE while a signal is present may cause audible transients on critical material.

## SIZE

The apparent size of the space created is actually a combination of the settings of the SIZE, SHAP, and SPRD controls. Small acoustic spaces are characterized by a rapid buildup of diffusion. However, both small and large spaces frequently have an uneven buildup of initial reverberation. This uneven buildup is controlled by the SPRD and SHAP controls.

## Random Hall and Feedback Pre-Echoes Pages

The Random Hall Pre-Echoes page and the Feedback Pre-Echoes page contain four pre-echo taps with delay and level controls. The taps are fed directly to the output wet signal rather than into the reverberator.

Pre-echoes can best be understood by visualizing a stage where the early reflections are the sounds emanating from the rear and side stage walls directly after the sound from the stage. Usually the rear stage wall reflection is earlier and louder than those from the two side walls. The pre-echoes are actually clusters of echoes, with the density of the cluster set by DIFF.

The pre-echo delay parameters change the perceived locations of reflecting surfaces surrounding the source. Level adjusts the loudness of the reflection. For each of the Lvl (Pre-echo level) parameters, there is a corresponding Dly parameter. Each of these sets the delay time in ms for one of the pre-echoes. These are not affected by PDLY, so pre-echoes can be placed to occur before the reverberation starts.

The Dly pre-echo delay parameters have a resolution of 2 milliseconds.

The Lvl pre-echo level parameters have sixteen steps, calibrated in decibels.

The Fbk feedback parameters (for Delays 3 and 4 only) are adjustable in 6% increments from -93% to +93%.

Pre-Echo 1, one second maximum to left channel.

**DLY1, LVL1**

Pre-Echo 2, one second maximum to right channel.

**DLY2, LVL2**

Pre-Echo 3, 2.8 seconds maximum to left channel, with feedback.

**DLY3, LVL3, FBKk3**

Pre-Echo 4, 2.8 seconds maximum to right channel, with feedback.

**DLY4, LVL4, FBK4**

## Random Ambience

### General Description

The 300's Random Hall effects are designed to add a cushion of reverberance to recorded music, while leaving the clarity of the direct sound unaffected. Random Ambience is different. It is intended to become a part of the direct sound — to give it both better blend and a definite position in space. Random Ambience gives warmth, spaciousness and depth to a performance without coloring the direct sound at all.

Random Ambience generates primarily the strong reflections which appear in the first few hundred milliseconds of the reverberation process. These early reflections constitute the primary audible effect, giving you the impression of a hall surrounding you while the music is playing. To avoid any coloration from these strong reflections, the time delays and amplitudes are random functions.

Random Ambience is very useful for adding a room sound to recorded music or speech. It is particularly easy to match a studio recording of dialog to a typical room environment. In music recording, using Random Ambience is an effective way of realistically adding distance to a close-miked signal. If an ensemble has been recorded with close-mikes and pan pots, Ambience can provide the missing blend and depth. The apparent position of the instruments is preserved in the reverb while the apparent distance is increased. Random Ambience is also useful in matching a closely miked accent microphone to the overall ambience of a recording. This allows a soloist to be increased in level without changing the apparent distance. Random Ambience can be used in a recording situation any time a close-miked sound is undesirable.

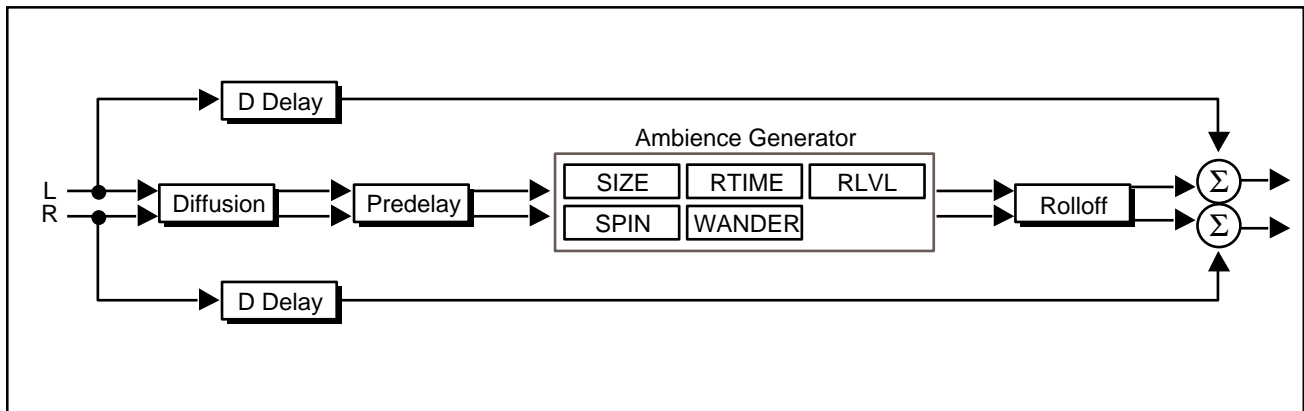
Set the SIZE to the desired room size. RLVL adjusts the amplitude of reverberation defined by RTIM, and can be trimmed to get exactly the effect you need.

To use the algorithm with a console, it is best to use a stereo send to the 300, carefully matching the panning of the various close-miked sources to their positions in the mix. Leave the MIX control at 100%. The apparent distance of each source can be controlled by the level of its feed.



Random Ambience Basic Sounds			
<b>RTIM</b>	<b>SIZE</b>	<b>DIFF</b>	<b>ROLL</b>
0.18-47.82s	4.0-39.4M	0-99	0.5kHz-21.2kHz
<b>RLVL</b>	<b>DDLJ</b>	<b>PDLY</b>	-
Off, -48to-1dB, Up Full	0-99.9ms	0-99.9ms	-
Random Ambience Tweaks			
<b>SPIN</b>	<b>WAND</b>	-	-
0-48	0-37.1ms	-	-
-	-	-	-
-	-	-	-
Effect Naming Page			

## Random Ambience Parameters



### Random Ambience Basic Sounds Page

This control adjusts the reverberation time of the independent reverberator. The range of action is limited. Be careful — both long and short reverb times may sound unnatural. If a much longer or shorter reverb time than the preset provides is desired, SIZE should be changed first.

#### RTIM (Reverb Time)

SIZE allows you to vary the apparent size of the space over a wide range. SIZE is the most dramatic control, and must be selected to match the music or program material. It should be the first control that you adjust to tailor the desired space. SIZE also affects the reverb time, in a similar way to the standard reverb programs.

#### SIZE

DIFF controls the degree to which initial echo density increases over time. High settings of DIFF result in high initial buildup of echo density; low settings cause low initial buildup. Echo density is also affected by SIZE; smaller spaces will sound denser. To enhance percussion, use high settings of DIFF. For clearer, more natural vocals, mixes, and music, use low or moderate settings.

#### DIFF

ROLL sets the frequency above which a 6 dB/octave low-pass filter attenuates the processed signal. It attenuates both pre-echoes and reverberant sound. High frequencies are often rolled off with this parameter, resulting in more natural sounding reverberation.

#### ROLL (Hi Freq Rolloff)

**RLVL (Reverb Level)** RLVL sets the amount of reverberation in the processed signal. It is normally FULL, but may be reduced for effects where the pre-echoes should dominate.

**DDLY (Dry Delay)** DDLY provides a delay for the "dry" audio path.

**PDLY (Pre-Delay)** PDLY adds an additional delay to the reflections and to the reverberation. This control may be useful in a sound reinforcement situation, or for ambience effects. Both DDLY and PDLY have 4-sample (approximately 0.1msec) resolution.

### Random Ambience Tweaks Page

**SPIN (Randomization)** SPIN affects the movement of many of the delay taps. The object of SPIN (and WAND) is to continuously alter the timbre of the reverberant sound. This makes the result more natural, without making the position of instruments unstable. SPIN should typically be 20 or higher. High values may make the pitch of piano or guitar unstable.

**WAND (Wander)** WAND sets the distance in time that the early reflections will move. For best results WAND should be about 10ms at larger sizes.

## Rich Plate

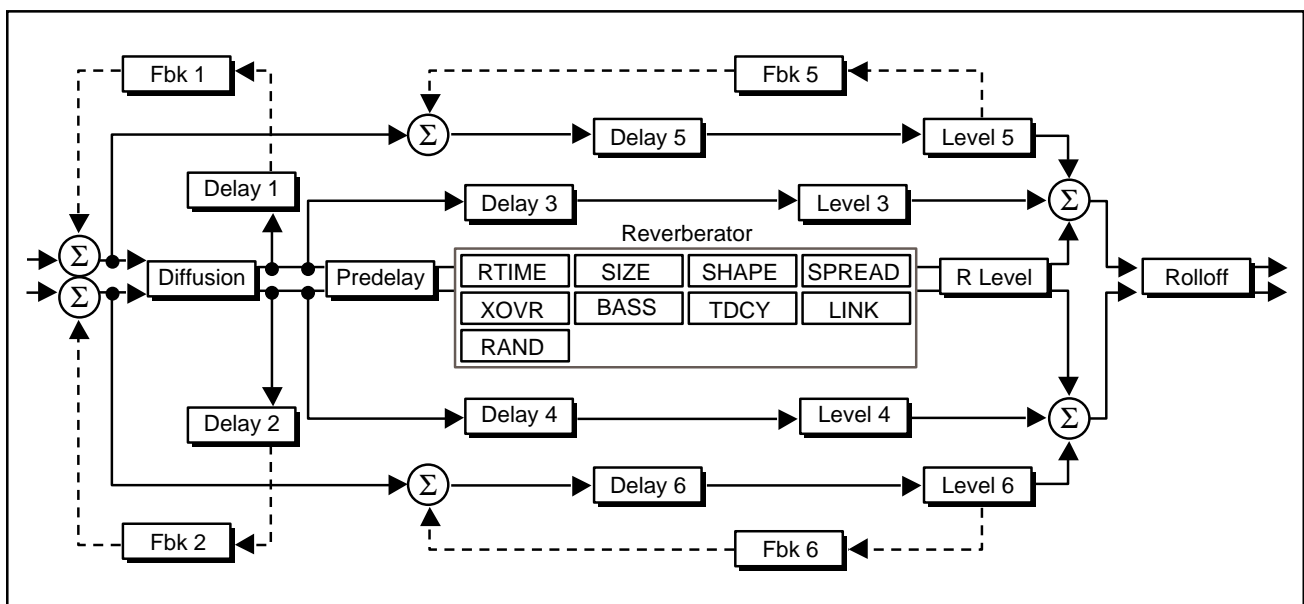
The Rich Plate program is denser, smoother, and less colored than other reverb programs. When used with the SIZE control at around 16 meters, the sound is dense and tight — ideal for percussion. Larger sizes and longer reverb times are suitable for vocals and brass.

### General Description

The Rich Plate program has five control pages with 28 adjustable parameters, shown below.

Rich Plate Basic Sounds			
<b>RTIM</b> 0.15-40.46s	<b>SIZE</b> 4.0-39.4M	<b>ROLL</b> 0.1-26.5kHz, Flat	<b>PDLY</b> 0-1000ms
<b>RLVL</b> Off, -48dB-Up Full	<b>TDCY</b> 0.5-21.2kHz	<b>BASS</b> 0.2x-4.0x	<b>XOVR</b> 0.1-26.5kHz
Rich Plate Tweaks			
<b>RAND</b> Off, 1-98%, Up Full	-	<b>SHAP</b> 0-255	<b>SPRD</b> 0-250
<b>DIFF</b> 0-99	<b>LINK</b> Link/Unlink	-	<b>SIZE</b> 4.0-39.4M
Delay and Feedback 1			
<b>DLY1</b> 0-2000ms	<b>DLY2</b> 0-2000ms	<b>DLY3</b> 0-1000ms	<b>DLY4</b> 0-1000ms
<b>FBK1</b> 0-93%	<b>FBK2</b> 0-93%	<b>LVL3</b> Off-24dB, Up Full	<b>LVL4</b> Off-24dB, Up Full
Delay and Feedback 2			
<b>DLY5</b> 0-2800ms	<b>FBK5</b> 0-93%	<b>DLY6</b> 0-2800ms	<b>FBK6</b> 0-93%
<b>LVL5</b> Off,-48dB-Up Full	-	<b>LVL6</b> Off,-48dB-Up Full	-
Effect Naming Page			

### Rich Plate Parameters



### Rich Plate Basic Sounds Page

- RTIM (Reverb Time)** This control adjusts the reverberation time of the independent reverberator. The range of action is limited. Be careful — both long and short reverb times may sound unnatural. If a much longer or shorter reverb time than the preset provides is desired, SIZE should be changed first.
- SIZE** SIZE allows you to vary the apparent size of the space over a wide range. SIZE is the most dramatic control, and must be selected to match the music or program material. It should be the first control that you adjust to tailor the desired space. SIZE also affects the reverb time, in a similar way to the standard reverb programs.
- ROLL (Hi Freq Rolloff)** ROLL sets the frequency above which a 6 dB/octave low-pass filter attenuates the processed signal. It attenuates both pre-echoes and reverberant sound. High frequencies are often rolled off with this parameter, resulting in more natural sounding reverberation.
- PDLY (Pre-Delay)** PDLY adds an additional delay to the reflections and to the reverberation. This control may be useful in a sound reinforcement situation, or for ambience effects. Both DDLY and PDLY have 4-sample (approximately 0.1msec) resolution.
- RLVL (Reverb Level)** RLVL sets the amount of reverberation in the processed signal. It is normally FULL, but may be reduced for effects where the pre-echoes should dominate.
- TDCY (Treble Decay)** TDCY sets the frequency above which sounds decay at a progressively faster rate. It filters all the sound except the pre-echoes. When set relatively low, it gives a darker tone to the reverberation, simulating the effect of air absorption in a real hall. TDCY also helps keep the ambience generated by the program from muddying the direct sound.
- BASS (Bass Multiply)** BASS sets the reverb time for low-frequency signals, as a multiplier of the RTIM parameter. For example, if BASS is set to 2X, and RTIM is set to two seconds, the low frequency reverb time will be four seconds. For a natural-sounding hall ambience, we recommend values of 1.5X or less.
- XOVR (Bass Crossover)** XOVR sets the frequency at which the transition from RTIM to BASS takes place. XOVR should be set at least two octaves higher than the low frequency you want to boost. For example, to boost a signal at 100 Hz, set XOVR to 400 Hz (This setting works well for classical music). XOVR works best around 400 for boosting low frequencies, and around 1.5 kHz for cutting low frequencies.

## Rich Plate Tweaks Page

RAND sets the rate of the randomization process. Plates should generally use low amounts of randomization.

### **RAND (Randomization)**

SHAP and SPRD work together to control the overall ambience of the reverberation created by the 300. SHAP determines the contour of the reverberation envelope. With SHAP all the way down, reverberation builds explosively, and decays quickly.

### **SHAP (Shape)**

As SHAP is advanced, reverberation builds up more slowly and sustains for the time set by SPRD. With SHAP in the middle, the buildup and sustain of the reverberation envelope emulates a large concert hall (assuming that SPRD is at least halfway up, and that SIZE is suitably large—30 meters or larger.)

SPRD works together with SHAP to control the duration of the initial ambience created by the 300. Low SPRD settings result in a rapid onset of reverberation at the beginning of the envelope, with little or no sustain. Higher settings spread out both the buildup and sustain.

### **SPRD (Spread)**

DIFF controls the degree to which initial echo density increases over time. High settings of DIFF result in high initial buildup of echo density; low settings cause low initial buildup. Echo density is also affected by SIZE; smaller spaces will sound denser. To enhance percussion, use high settings of DIFF. For clearer, more natural vocals, mixes, and music, use low or moderate settings.

### **DIFF (Diffusion)**

When LINK is set, the reverb time and spread values scale linearly as the SIZE control is varied. For some special effects, RTIM and SPRD can be unlinked.

### **LINK**

SIZE allows you to vary the apparent size of the space over a wide range. SIZE is the most dramatic control, and must be selected to match the music or program material. It should be the first control that you adjust to tailor the desired space. SIZE also affects the reverb time, in a similar way to the standard reverb programs.

### **SIZE**

## Rich Plate Delay and Feedback Pre-Echoes Page

These pages provide control over three stereo delay pairs. All three are summed with the output of the reverberator. Many, many different echo combinations are possible.

DLY1 and DLY2 (0ms-2000ms) are recirculating delay lines to the left and right channel inputs. The path of either is picked off after the diffusor with the amount of recirculation defined by the adjustment of FBK1 (for DLY1) and FBK2 (for DLY2). DLY1 and DLY2 are the **only** delays which effectively feed back (recirculate) into the reverberator.

### **DLY1 , DLY2**

- FBK1 , FBK2** FBK1 and FBK2 determine the amount of recirculation passed back through to the left and right inputs.
- DLY3 , DLY4** DLY3 (0ms-1000ms) and DLY4 (0ms-1000ms) are also picked off after the diffusor. The level of each is controlled by LVL3 and LVL4, respectively.
- LVL3,LVL4** LVL3 and LVL4 determine the loudness of DLY3 and DLY4.
- DLY5 , DLY6** DLY5 (0ms-2800ms) and DLY6 (0ms-2800ms) allow you to build non-diffused recirculating echoes independent of the reverberator. Each has a feedback control (FBK5 and FBK6).
- FBK5, FBK6** FBK5 and FBK6 provide feedback control for DLY5 and DLY6.
- LVL5,LVL6** LVL5 and LVL6 determine the loudness of DLY5 and DLY6. Remember, these are undiffused pre-echoes.

## Stereo Pitch Shift

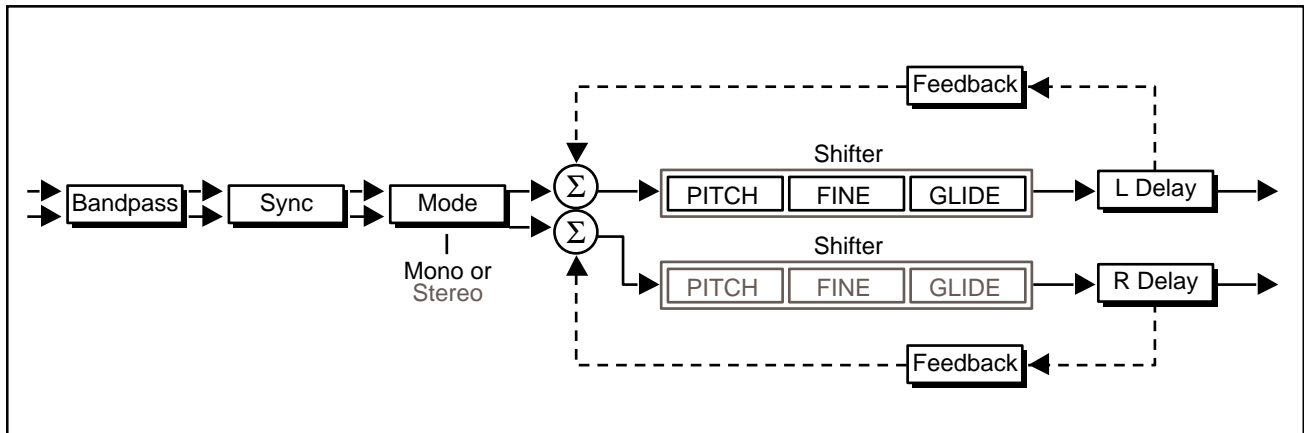
Stereo Pitch Shift is a stereo or two-channel mono pitch shifter with several useful effects, including predelay, feedback, and glide. These are independently adjustable for each channel. The pitch shifter in the 300 includes a pitch detection feature which automatically adjusts the period of the splices to match the pitch of incoming signals. This feature greatly reduces the artifacts associated with pitch shift. In stereo mode both channels are linked, and the sum of the two channels (L & R) is used in the pitch detector. In mono mode each channel splices independently. In either case it takes about 40 ms for the pitch detector to obtain an optimal pitch value. Setting the LDLY and RDLY controls to this value will give the smoothest pitch shift. Shorter values can be used for special effects, or when extra delay cannot be tolerated.

### General Description

There are three interacting controls for pitch described below: Glide, Pitch Interval, and Fine Pitch. Adjusting any pitch control activates a long display that shows the pitch percentage, the musical interval, and any fine adjustment in cents. Always use this long display when matching Glide to Pitch Interval and Fine Pitch.

Stereo Pitch Shift Mode, Pitch and Effects			
<b>MODE</b> Mono/Stereo	<b>GLDL</b> -2 Oct to +M7+48¢	-	<b>GLDR</b> -2 Oct to +M7+48¢
<b>PCHL</b> -2 Oct to +M7+48¢	<b>FINL</b> ± 100 cents	<b>PCHR</b> -2 Oct to +M7+48¢	<b>FINR</b> ± 100 cents
Stereo Pitch Shift Delay and Feedback			
<b>LDLY</b> 0-510ms	<b>LFBK</b> 0-98%, Max	<b>RDLY</b> 0-510ms	<b>RFBK</b> 0-98%, Max
<b>BNPS</b> On/Off	<b>SYNC</b> On/Off	-	-
Effect Naming Page			

### Stereo Pitch Shift Parameters



**Stereo Pitch Shift Mode, Pitch and Effects Page**

- MODE** MODE selects stereo or mono mode. In stereo the two channels are linked, pitch shifting by the same amount and splicing at the same time.
- GLDL and GLDR  
(Glide Stereo Left  
and Right)** GLDL affects both channels in stereo mode, and the left channel in mono mode. GLDR affects the right channel in mono mode. These controls change the pitch continuously over a range of -2octaves to +1 octave. This allows a glissando to be performed, either manually or via MIDI.
- PCHL (Pitch Interval  
Stereo Left) and  
PCHR (Pitch Interval R)** PCHL adjusts the pitch interval of both channels in stereo mode, and the left channel in mono mode. The exact tuning can be altered by the fine pitch control, and the exact pitch shift in intervals and cents is displayed. The fine control must be set to the exact middle of its range if perfect pitch intervals are to be obtained.
- In the long display, the Fine Pitch is shown by the number of cents added to, or subtracted from, the semitone intervals. Remember that Pitch Interval will produce exact intervals only if Fine Pitch is centered. The rightmost character in the long display is an asterisk (\*) if Fine Pitch is centered, and a '+' or '-' otherwise. When the VALUE key turns on the short value display, Fine Pitch is not shown in cents, but as a number ranging from -32 to +32 in order to give a clear indication of how much Pitch Interval has been changed. When '\*\*' is shown, Fine Pitch is centered and inactive. As a rule, 1 count of Fine Pitch is worth 2 cents near 200%, 3 cents near 100%, 6 cents near 50%, and 12 cents near 25%.
- PCHR performs the same functions as the PCHL control, except that it is only active in Mono mode, in which it adjusts the right channel.
- FINL (Fine Pitch  
Stereo Left) and  
FINR (Fine Pitch R)** FINL acts on both channels together in stereo mode, and the left channel in mono mode. It adjusts pitch continuously over a range of a few hundred cents, and is additive to the PCHL control. If PCHL is set to the middle of its range the FINL control can be used to set very small values of pitch shift, producing a chorusing effect.
- FINR performs the same functions as the FINL control, except that it is only active in Mono mode, in which it adjusts the right channel.



## Stereo Pitch Shift Delay and Feedback Page

LDLY adjusts the length of a delay line in series with the left input. The range is zero to 510ms in 2ms steps. Pre-delay also affects the delay of any feedback which is applied. In stereo mode the two pre-delays must be set to the same value, or the signals will not be in phase. Optimal pitch shift occurs when LDLY is about 40ms.

### LDLY and RDLY

RDLY is the same as the LDLY, except that it acts upon the right channel.

L FBK and R FBK control the amount of positive feedback from the output of the pitch shift to the input of the pre-delay line. The control is adjustable from 0 to  $\pm 99\%$ . Some very useful effects can be obtained by combining pitch shift, delay, and feedback.

### LFBK and R FBK

BNPS is a band-pass filter which rolls off the frequency response of the audio before the splicing algorithm. The -3dB point is 100 Hz. The purpose of the band-pass filter is to give the pitch shifter *less* information than it actually needs to decide when to make the splice. Typically, this will improve the performance of the pitch shifter.

### BNPS

SYNC is only active in STEREO mode. This control forces an exact sync of the two channels when the control is turned from 0 to 1. When SYNC is 1, there is an automatic re-syncing any time the two channels differ in phase by about 10 samples. This can occur if PCHL or LDLY is changed. Re-syncing can cause a small click in the output. If the pitch shifter is being used to manually pitch-correct classical music using the GLDL control, it may be better to set SYNC to 0, or Off. There is an automatic sync tracking feature which will keep the two channels locked to within 2 samples. If precise synchronization is desired, the GLDL or PCHL controls should be set, SYNC should be set from 0 to 1, and then the pitch should not be changed. The two channels will remain precisely synchronized, even though both are continually changing the splice length in response to the incoming pitches.

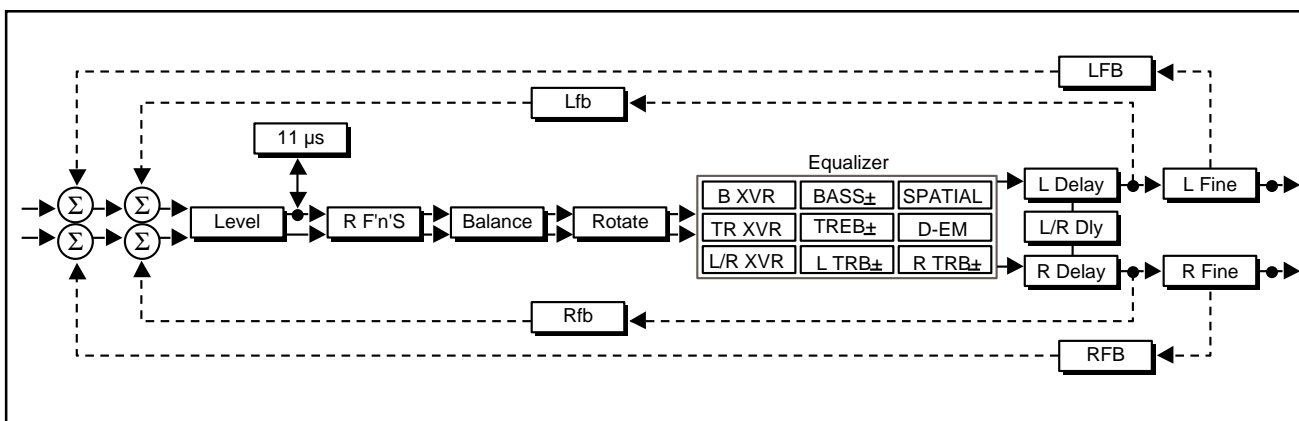
### SYNC

## Stereo Adjust

**General Description** The Stereo Adjust algorithm offers fine adjustments of level and equalization during digital mastering. Its stereo digital fader permits 0.25dB trimming and provides full fades to digital zero at the end of a track. Its two sets of shelving treble EQ can be set for different 3dB points and gains. BASS and SPEQ permit adjustment of stereo width, enhancing the spaciousness and depth of the recording.

### Stereo Adjust Parameters

Stereo Adjustments			
<b>MSTR</b> Off, -72dB to +12dB	<b>BAL</b> L+2.9 to R+2.9dB	<b>ROT</b> L+2.9 to R+2.9dB	<b>DLAY</b> 0-5000ms
<b>D-EM</b> On, Off	<b>11µs</b> On, Off	<b>RFnS</b> +L+R,+L-R,+R+L,-R+L	
Stereo Adjust EQ and Spatial			
<b>BASS</b> Cut, -18dB - +6dB	<b>TREB</b> Cut, -18dB - +6dB	<b>LTRB</b> Cut, -18dB - +6dB	<b>RTRB</b> Cut, -18dB - +6dB
<b>BXOV</b> 0.1-26.5kHz	<b>TXOV</b> 0.1-26.5kHz	<b>TXLR</b> 0.1-26.5kHz	<b>SPEQ</b> Cut, -6 to +6dB
Stereo Adjust Delay and Feedback			
<b>LDLY</b> 0-5000ms	<b>LFIN</b> 0-500 samples	<b>RDLY</b> 0-5000ms	<b>RFIN</b> 0-500 samples
<b>LFBK</b> -99 to +99%	<b>Lfbk</b> -99 to +99%	<b>RFBK</b> -99 to +99%	<b>Rfbk</b> -99 to +99%
DC Offsets			
<b>DCSW</b> Reset, Manual, Auto	<b>L-DC</b> -99 to +99%	<b>R-DC</b> -99 to +99%	<b>SHUF</b> 0-10
Effect Naming Page			



### Stereo Adjustments Page

**MSTR (Master Fader)** MSTR is a stereo level control, with both channels equally attenuated or boosted. From -12 to +12 the fader moves in .25 dB increments. Below -12 it moves in .50 dB increments. Below -60 dB the calibration comes in larger steps, finally dropping to zero output at -72 dB.

BAL implements a sine/cosine balance adjustment. Balance is smoothly adjusted over a wide range, with excellent resolution in the critical area around zero. The display indicates the actual channel gains as the control is varied.

### **BAL (Balance)**

ROT is similar to BAL, but it treats stereo information somewhat differently. Any signal panned to the center (mono) will be treated by ROT exactly as it would be treated by BAL. However, if a signal is panned full right and the control is moved toward the right, instead of simply being attenuated (as BAL would do) the right channel is inverted in phase and added to the left channel. A stereo image appears to rotate when this control is used. Ambient information is preserved, and both channels appear to retain equal loudness.

### **ROT (Rotate)**

If stereo material is recorded with a coincident pair of figure-of-eight microphones, moving the ROT slider is exactly equivalent to rotating the microphone pair. Other microphone arrays and multimicrophone setups do not rotate perfectly, but using this control is frequently preferable to simply adjusting balance. The display shows the actual channel gains for a continually panned source.

DLAY controls a 5-second stereo delay line, with a resolution of 10 milliseconds. Separate mono and fine controls are on the Delay page below. This is a post-processing full-level delay, and is always in the circuit.

### **DLAY**

When D-Em is On, the incoming signal is digitally de-emphasized. This should not be used unless the material has been emphasized in the record process—such as a PCM-F1 tape. Note that the emphasis bit in the incoming signal can be turned off from the 300 front panel. See Chapter 2: *System Operation: Setup Edit*.

### **D-EM (De-emphasis On/Off)**

When digital de-emphasis is applied, the CD mastering lab must be informed that the tape is not emphasized, and the CD emphasis bit should be manually set to Off. Mastering labs are happy to do this, but they *must* be informed!

When this control is on, the left channel is delayed relative to the right by 11  $\mu$ sec (1/2 sample). This control specifically corrects for the timing error between channels caused by consumer digital systems (e.g. the Sony PCM-F1 and its progeny) that time-share single analog converters. Turning on this delay time aligns the left channel audio data for compatibility with professional systems.

### **11 $\mu$ sec (1/2 sample)**

RFnS is used for digitally correcting problems you used to be able to fix (or create) by switching analog cables around. The normal setting is +L to the left output and +R to the right output. Other settings should only be used when correcting some problem created previously in the recording process.

### **RFnS (Right Channel Flip 'n' Swap)**

- +L+R = Normal Routing
- +L-R = Right Channel polarity inverted (flipped)
- +R+L = Left and Right Channels swapped
- R+L = Right flipped and swapped with Left

### Stereo Adjust EQ and Spatial Page

- BASS (Bass EQ)** BASS is a 6dB/octave shelving EQ control with a range of +6 dB boost and -18dB cut. It moves in .50 dB steps from +6 to -6 dB. The crossover point is adjusted with BXOV. BASS acts on both stereo channels equally.
- TREB (Treble EQ)** TREB is a 6 dB/octave shelving EQ controls with a range of +6 dB boost and -18dB cut. It moves in .50 dB steps from +6 to -6 dB. The crossover point is adjusted with TXOV. TREB acts on both stereo channels equally.
- LTRB and RTRB** These controls allow independent adjustment of left and right treble. They may be used together with the stereo adjustments to create a 12 dB/octave cut or boost. Note that the 3 dB frequencies can be different from the stereo set.
- BXOV (Bass Crossover)** BXOV sets the crossover point for BASS. When BASS is set to full cut, the level is -3 dB at the frequency set with BXOV.
- TXOV (Stereo Treble Crossover)** TXOV sets the crossover point for TREB. When TREB is set to full cut, the level is -3 dB at the frequency set with TXOV.
- TXLR (Independent Treble Crossover)** TXLR sets the crossover point for LTRB and RTRB. When either is set to full cut, the level is -3 dB at the frequency set with TXLR.
- SPEQ (Spatial EQ)** SPEQ sets the amount of a crossfeed between channels. The signal first goes through a 6 dB/octave low-pass filter whose frequency is set with BXOV.

When SPEQ is set positive (above 0) the crossfeed has a negative sign. When SPEQ is set negative (below 0), the crossfeed has a positive sign. When the control is set to either maximum or minimum, the gain in the crossfeed circuit is unity.

The result of this control is to change the separation of low frequency stereo signals. When the control is raised, low frequencies in the sum (mono) channel are reduced, and low frequencies in the difference (stereo) channel are raised. With the control at maximum, low frequency mono signals are completely removed. This represents an extreme setting which should seldom be needed in practice.

With material which has stereo bass information, or which contains some reverberation, the effect of raising SPEQ is to increase the sense of spaciousness and depth of the sound. It is particularly useful on material recorded with panpots, or coincident and semi-coincident microphone technique.

When most of the bass in a recording is in the sum (mono) channel, raising SPEQ may reduce the bass level. This effect can be compensated for by raising the overall bass level with BASS. Since both controls use the same BXOV setting, this compensation will be quite accurate as long as SPEQ is set to less than 3 dB boost.

## Stereo Adjust Delay and Feedback Page

These controls give individual channel control over the 5-second post-equalization delay line.

5-second, 10 milliseconds per step, mono control for the left channel.

**LDLY**  
**(Left Channel Coarse)**

DLAY + LDLY must not total more than 5,000 milliseconds.

5-second, 10 milliseconds per step, mono control for the right channel.

**RDLY**  
**(Right Channel Coarse)**

DLAY + RDLY must not total more than 5,000 milliseconds.

### Fine Sample Accurate Delays

These can be used for subtle time alignment adjustments. The 300 will correctly display the resulting time shift as a function of the sampling rate. As many as 500 samples can be added to any stereo/coarse delay setting for a maximum possible delay per channel of 5 seconds + 500 samples.

48 kHz = 20.833 microseconds per sample

44.1 kHz = 22.676 microseconds per sample

32 kHz = 31.25 microseconds per sample

500-sample, 1 sample per step, mono fine adjust for the left channel.

**LFIN (Left Channel Fine)**

500-sample, 1 sample per step, mono fine adjust for the right channel.

**RFIN (Right Channel Fine)**

Two feedback paths are available per channel: overall and fine. Overall feedback is the total delay of DLAY + L(R)DLY + L(R)FIN, and is useful for long echo effects.

Fine Feedback is only around the Fine Delay and can be used for very short delay effects and coloration.

All feedback gains are adjustable in 1% increments from -99% to +99%. If the magnitudes of both feedback gains for a channel sum to more than 100%, that channel will take off and overload.

On the 300 Effects Feedback page, overall and fine are distinguished by upper and lower case lettering:

**LFBK** = Overall Left Channel Feedback

**Lfbk** = Fine Left Channel Feedback

**RFBK** = Overall Right Channel Feedback

**Rfbk** = Fine Right Channel Feedback

## Stereo Adjust DC Offsets Page

**DCSW (DC Offset Nulling)** This control provides three choices: RESET, MANUAL ADJUST and AUTO ADJUST. RESET disables all DC adjustment. AUTO ADJUST enables routines for correcting DC offset from material recorded through analog-to-digital converters that are not properly trimmed for DC. MANUAL ADJUST allows Softknob selection of offset values.

**L-DC and R-DC (Lch and Rch DC Offset)** Replaces any previously obtained value with the value set here via the soft knob. The display indicates the percent of the correction.

**SHUF (Binaural Shuffler)** SHUF controls a spatial equalizer designed to make recordings from a dummy head, or closely-spaced omni microphones, more suitable for loudspeaker reproduction. Due to the close spacing of the microphones, there is very little difference between the two stereo channels below about 300Hz. The shuffler restores the low frequency separation by first matrixing the L and R signals into L+R and L-R, bass-boosting the L-R channel, then rematrixing back to L and R. The effect is to convert small time differences (which are not audible in loudspeaker reproduction) between the two microphones into level differences, which are audible. The effect can be dramatic.

The frequency below which the boost acts is set by the SHUF control. A setting of 5 will give a 3dB L-R boost at about 150Hz; a setting of 10 will be 3dB up at 250Hz. Response rises at 6dB/octave below this frequency. More than 18dB of gain can be obtained at 20Hz when SHUF is set to 10.

This control has been optimized for true binaural recordings, where the difference signal at low frequencies is minimal. If it is used on ordinary stereo material, or with binaural material to which reverberation has been added, excessive low frequency difference signals can result. On such material, it is better to use the SPEQ control which will achieve a similar result.

The SHUF control varies from 0 (shuffler off) to a maximum of 10. While theory would suggest a setting of 10 for a dummy head, a setting of 5 appears to be more useful in practice. The setting is very much a matter of taste. If closely spaced microphones are used, the setting will scale inversely with the microphone distance in centimeters. For a spacing of 15cm, try a shuffler setting of 5. For a spacing of 30cm, try a setting of 3. For a spacing of 7cm, try a setting of 10.

## "Split" Setup Algorithms

### Dual Delays

#### General Description

The Dual Delay algorithm consists of 2 types of delay lines: Gliding Flange delays and Fixed delays. This is a true stereo algorithm. (If run in a Dual Mono setup, however, it will be mono.)

Two independent gliding flange predelays are available, each with a 20ms range in single sample steps. There is also a ganged stereo gliding flange delay. There are two flange gain controls which vary the overall amount of flange effect.

The flange glides are typically modulated by the internal LFO. Setting the flange gains very high will cause an "over the top" type of flange to occur as the flange glide delays cross over the predelay pointers. The outputs of the flange delays are fed to the delay left and delay right lines which are 2.5 seconds long. Once into these delay lines, you can create many different delay effects. There are two programmable taps on each delay line. DLY1 (left) and DLY2 (right) can be programmed anywhere along this 2.5 second path. There will, however, be no apparent delay unless a feedback value is assigned to the delay values via FBK1 and FBK2. All Pass filters, or diffusors, in line with the feedback paths are labeled APD (All Pass Delay) and APG (All Pass Gain). The actual "tuning" of the All pass delay is accomplished with the APD control. The amount of diffusion is set by APG. When APG is turned high and FBK1 is adjusted away from the 0% value, each feedback loop will be rediffused.

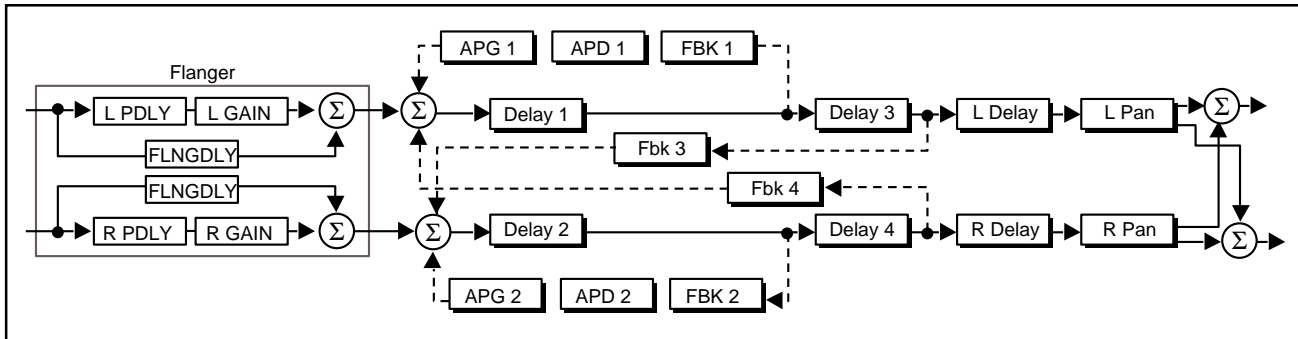
DLY3 and DLY4 are cross feedback delay lines. They are also adjustable anywhere along the 2.5 second delay line. DLY3 feeds from the left delay position to the input of the right delay line. The same is true with DLY4 feeding into the left delay line. The feedback parameters adjust the amount (level) passed into the destination delay lines.

The last pair of delay pointers (LDLY and RDLY) can be thought of as independently adjustable post delays. These can be adjusted anywhere along the 2.5 second delay line.

The output of each delay line can be positioned anywhere in the stereo pan field. LPAN adjusts the position of the left delay loop; RPAN positions the output of the right delay loop.

### Dual Delays Parameters

Dual Delay Adjustments			
<b>DM:</b>	<b>FDLY</b>	<b>LFB</b>	<b>RFBD</b>
	0-479smp=0-10ms	0-479smp=0-10ms	0-479smp=0-10ms
<b>MchB</b>	-	<b>LFLG</b>	<b>RFLG</b>
	-	0-99%	0-99%
Delay and Feedback Page 1			
<b>DM:</b>	<b>DLY1</b>	<b>FBK1</b>	-
	0-119996smp= 0-2498.9ms	0-99%	
<b>MchB</b>	<b>DLY2</b>	<b>FBK2</b>	-
	0-19996smp= 0-2498.9ms@48kHz	0-99%	
Diffusor Controls			
<b>DM:</b>	<b>APD1</b>	<b>APG1</b>	-
	0-19996smp= 0-2498.9ms	0-191	
<b>MchB</b>	<b>APD2</b>	<b>APG2</b>	-
	0-19996smp= 0-2498.9ms	0-191	
Delay and Feedback Page 2			
<b>DM:</b>	<b>DLY3</b>	<b>FBK3</b>	-
	0-19996smp= 0-2498.9ms	0-99%	
<b>MchB</b>	<b>DLY4</b>	<b>FBK4</b>	-
	0-19996smp= 0-2498.9ms	0-99%	
Diffusor Controls			
<b>DM:</b>	<b>LDLY</b>	<b>LPAN</b>	-
	0-19996smp= 0-2498.9ms	L, 0-98%/R/L, R	
<b>MchB</b>	<b>RDLY</b>	<b>RPAN</b>	-
	0-19996smp= 0-2498.9ms	L, 0-98%/R/L, R	
Effect Naming Page			





## Dual Delays Adjustments Page

FDLY is a separate 20 ms ganged stereo delay line which is controllable in single sample steps.

**FDLY (Flange Delay)**

LFBD and RFBD are base delays which get summed with the stereo ganged flange delay. These base delays are adjustable in single sample steps throughout a 20 millisecond range.

**LFBD and RFBD  
(Left and Right Flange  
Base Delays)**

LFLG and RFLG are flange gains which are adjustable as a feed forward amplifier loop (+99% positive value) or feedback amplifier loop (-99% negative value).

**LFLG and RFLG  
(Left and Right  
Flange Gain)**

## Dual Delays Diffusors, Feedback and Delays

DLY1 and DLY2 set the delay values for the respective left to left and right to right feedback loops

**DLY1 and DLY2**

FBK1 and FBK2 set the gain of feedback for each of the delay lines. Available values range from -99% to +99% gain.

**FBK1 and FBK2**

APD1 and APD2 are diffusors (All Pass Delays) in series with the feedback loops associated with DLY1 and DLY2. Their controls range from 0 to 10 ms. These controls essentially "tune" the diffusor delay line.

**APD1 and APD 2  
(All Pass Left and Right  
Delays)**

APG1 and APG2 are gains associated with the diffusors. You can think of them as controlling the amount of diffusion.

**APG1 and APG 2  
(All Pass Left and Right  
Gain)**

DLY3 controls the delay time which cross-feeds back to the input of DLY2. DLY4 controls the delay time which cross-feeds back to the input of DLY1.

**DLY3 and DLY 4**

FBK3 and FBK4 control the gain of the feedbacks going with each of their respective delay lines.

**FBK3 and FBK4**

LDLY sets the left channel delay line's time. RDLY sets the right channel delay line's time.

**LDLY and RDLY**

LPAN adjusts the left delay channel pan placement. RPAN adjusts the right delay channel pan placement

**LPAN and RPAN**

## Split Chamber

### General Description

The Split Chamber program provides several presets which can be loaded into any Dual Mono or Cascade setup. In the Dual Mono setups it passes audio Mono In-Mono Out. In the Cascade setups, audio is routed Mono In-Stereo Out. The Split Chamber program can simulate many different types of acoustic spaces or mechanical devices.

The Split Chamber algorithm is great on anything. SIZEs of 25 and larger set a lower acoustic density. SHAP and SPRD help create the illusion of larger spaces while using short reverb times. As in the Random Hall algorithm, the LINK parameter couples SIZE to the RTIM and SPRD. Unlink provides a method of setting stable RTIM and SPRD values, then adjusting SIZE to set the right density and "tuning". Split Chamber is bright by design, so you may want to use lower values of TDCY — maybe even as low as 1.0kHz or 500Hz.

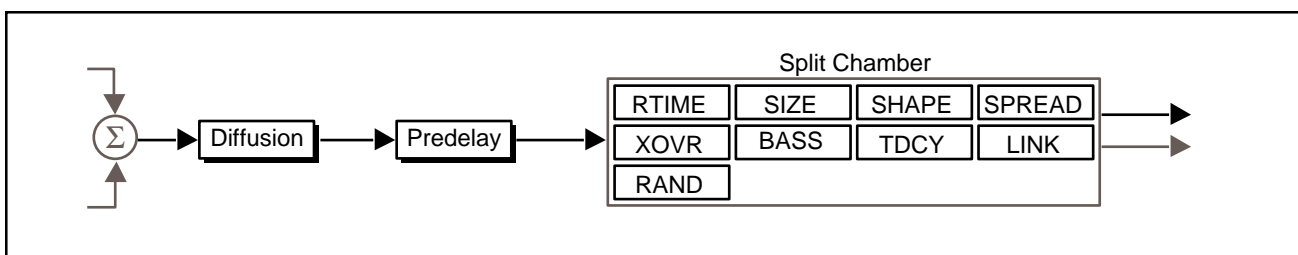
The randomization circuit in Split Chamber is designed to reduce coloration and/or frequency nodes caused by low frequency input. If you want to create your own special Chambers or Halls, you should keep RAND set to 90 or 95.

Typically, SIZEs of 14-24 meters with TDCYs higher than 3.4kHz will emulate bright sounding metal plates. Remember to set SHAP and SPRD to extremely low values to maintain the explosiveness of the reverb decay. Because plates are very diffuse, any preset mimicking a plate should have DIFF set relatively high (70-80), while BASS is kept to some value less than 1.2kHz.

DIFF and PDLY precede the reverberator. When Chamber programs are loaded into Dual Mono setups, the audio will be Mono In-Mono Out. When loaded into Cascade setups, audio is routed summed Mono In-Stereo Out.

### Split Chamber Parameters

Split Chamber Adjustments Page 1			
<b>DM:</b>	<b>RTIM</b>	<b>SIZE</b>	<b>PDLY</b>
	.09-24.11s	4.0-66.4M	0-1000ms
<b>MchA</b>	<b>TDCY</b>	<b>SHAP</b>	<b>SPRD</b>
	0.5-21.2kHz	0-255	0-202
Split Chamber Adjustments Page 2			
<b>DM:</b>	<b>BASS</b>	<b>DIFF</b>	<b>RAND</b>
	0.2-4.0x	0-99	Off,0-98%,Up Full
<b>MchA</b>	<b>XOVR</b>	<b>LINK</b>	-
	0.1-26.5kHz	Link/Unlink	-
Effect Naming Page			



## Split Chamber Adjustments Page 1

RTIM sets the reverb time for mid-frequency signals. Because low-frequency reverb time (BASS) is a multiplier of RTIM, RTIM acts as a master control for the reverb time.

### **RTIM (Mid-Frequency Reverb Time)**

SIZE sets the rate of buildup of diffusion after the initial period (which is controlled by DIFF). It also acts as a master control for RTIM and SPRD. The SIZE control changes a reverb sound from very large to very small. Generally, you should set the SIZE control to approximate the size of the acoustic space you are trying to create, before adjusting anything else. The size in meters is roughly equal to the longest dimension of the space. Moving SIZE while a signal is present may cause audible transients on critical material.

### **SIZE**

The apparent size of the space created is actually a combination of the settings of the SIZE, SHAP, and SPRD controls. Small acoustic spaces are characterized by a rapid buildup of diffusion. However, both small and large spaces frequently have an uneven buildup of initial reverberation. This uneven buildup is controlled by the SPRD and SHAP controls.

PDLY adjusts an additional time delay between the input of signal and the onset of reverberation. The control is not intended to mimic the time delays in natural spaces. In real rooms the build-up of reverberation is gradual, and the initial time gap is usually relatively short. Natural spaces are best emulated by setting SHAP at a middle value and adjusting SPRD for the desired effective pre-delay.

### **PDLY (Pre-Delay)**

Additional delay added with the PDLY control can increase the initial time gap slightly, emulating a situation where reverberant pick-up microphones are located much further from the source than the main microphones. If less than about 30ms of pre-delay is added, this additional delay can add clarity with some music, but it can also sound unnatural. Large pre-delays can be useful for slap-echo effects.

TDCY sets the frequency above which sounds decay at a progressively faster rate. It filters all the sound except the pre-echoes. When set relatively low, it gives a darker tone to the reverberation, simulating the effect of air absorption in a real hall. TDCY also helps keep the ambience generated by the program from muddying the direct sound.

### **TDCY (Treble Decay)**

SHAP and SPRD work together to control the overall ambience of the reverberation created by the 300. SHAP determines the contour of the reverberation envelope. With SHAP all the way down, reverberation builds explosively, and decays quickly.

### **SHAP (Shape)**

As SHAP is advanced, reverberation builds up more slowly and sustains for the time set by SPRD. With SHAP in the middle, the buildup and sustain of the reverberation envelope emulates a large concert hall (assuming that SPRD is at least halfway up, and that SIZE is suitably large—30 meters or larger.)

**SPRD (Spread)** SPRD works together with SHAP to control the duration of the initial ambience created by the 300. Low SPRD settings result in a rapid onset of reverberation at the beginning of the envelope, with little or no sustain. Higher settings spread out both the buildup and sustain.

## Split Chamber Adjustments Page 2

**BASS (Bass Multiply)** BASS sets the reverb time for low-frequency signals, as a multiplier of the RTIM parameter. For example, if BASS is set to 2X, and RTIM is set to two seconds, the low frequency reverb time will be four seconds. For a natural-sounding hall ambience, we recommend values of 1.5X or less.

**DIFF (Diffusion)** DIFF controls the degree to which initial echo density increases over time. High settings of DIFF result in high initial buildup of echo density; low settings cause low initial buildup. Echo density is also affected by SIZE; smaller spaces will sound denser. To enhance percussion, use high settings of DIFF. For clearer, more natural vocals, mixes, and music, use low or moderate settings.

**RAND (Randomization)** RAND sets the distance in time that the early reflections will move.

**XOVR (Bass Crossover)** XOVR sets the frequency at which the transition from RTIM to BASS takes place. XOVR should be set at least two octaves higher than the low frequency you want to boost. For example, to boost a signal at 100 Hz, set XOVR to 400 Hz (This setting works well for classical music). XOVR works best around 400 for boosting low frequencies, and around 1.5 kHz for cutting low frequencies.

**LINK** When LINK is set, the reverb time and spread values scale linearly as the SIZE control is varied. For some special effects, RTIM and SPRD can be unlinked.

## Mono Pitch Shift

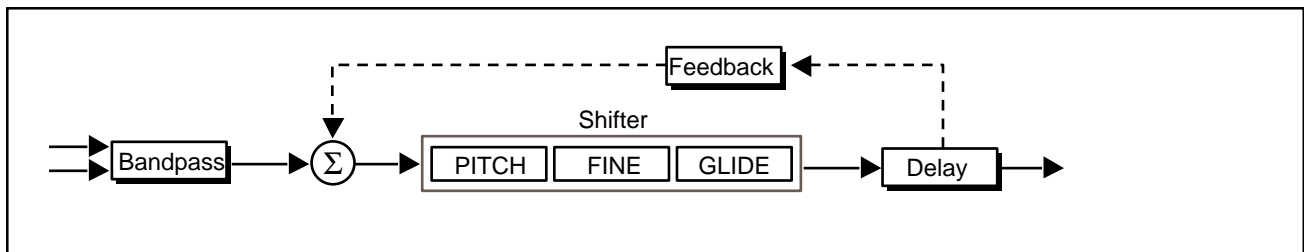
### General Description

The Mono Pitch Shift Algorithm has several useful effects, including pre-delay, feedback, and glide. The pitch shifter in the 300 includes a pitch detection feature which automatically adjusts the period of the splices to match the pitch of incoming signals. This feature makes the splicing intelligent, and greatly reduces the artifacts associated with pitch shift. The Mono Pitch Shift program, each channel splices independently. It takes about 40 ms for the pitch detector to obtain an optimal pitch value. Setting the DLY control to this value will give the smoothest pitch shift. Shorter values can be used for special effects, or when extra delay cannot be tolerated.

There are three interacting controls for pitch described below: Glide, Pitch Interval, and Fine Pitch. Adjusting any pitch control activates a long display that shows the pitch percentage, the musical interval, and any fine adjustment in cents. Always use this long display when matching Glide to Pitch Interval and Fine Pitch.

Mono Pitch Shift Adjustments			
<b>DM:</b>	<b>PCH</b>	<b>DLY</b>	<b>FBK</b>
	-2Oct to M7+48¢	0-510ms	0-98%, Max
<b>MchB</b>	<b>GLD</b>	<b>FIN</b>	<b>BNPS</b>
	-2Oct to M7+48¢	±96 cents	On/Off
Effect Naming Page			

### Mono Pitch Shift Parameters



### Mono Pitch Shift Adjustments Page

PCH adjusts pitch interval. The exact tuning can be altered by FIN, and the exact pitch shift in intervals and cents is displayed. FIN must be set to the exact middle of its range if perfect pitch intervals are to be obtained.

### PCH

In the long display, fine pitch is shown by the number of cents added to, or subtracted from, the semitone intervals. Remember that PITCH will produce exact intervals only if FIN is centered. The rightmost character in the long display is an asterisk (\*) if FIN is centered, and a '+' or '-' otherwise. When the VALUE key turns on the short value display, FIN is not shown in cents, but as a number ranging from -32 to +32 in order to give a clear indication of how much the pitch shift has been changed. When '\*\*' is shown, FIN is centered and inactive. As a rule, 1 count of FIN is worth 2 cents near 200%, 3 cents near 100%, 6 cents near 50%, and 12 cents near 25%.

- DLY** DLY adjusts the length of a delay line from zero to 510ms in 2ms steps. Optimal pitch shift occurs when DLY is about 40ms.
- FBK** FBK controls the amount of positive feedback from the output of the pitch shift to the input of the pre-delay line. The control is adjustable from 0 to  $\pm 99\%$ . Some very useful effects can be obtained by combining pitch shift, delay, and feedback.
- GLD** GLD changes the pitch continuously over a range of -2 octaves (25%) to +1 octave (199%). This allows a glissando to be performed, either manually or via MIDI.
- FIN**  
FIN adjusts pitch continuously over a range of -2 octaves to +1 octave. This allows a glissando to be performed, either manually or via MIDI.
- BNPS**  
BNPS is a band-pass filter which rolls off the frequency response of the audio before the splicing algorithm. The -3dB point is 100 Hz. The purpose of the band-pass filter is to give the pitch shifter *less* information than it actually needs to decide when to make the splice. Typically, this will further improve the performance of the pitch shifter.

## Compressor

### General Description

The Compressor algorithm is a true digital compressor which will run in either Dual Mono or Cascade Setups. In Dual Mono Setups, it configures to mono in mono out; in Cascade Setups it configures as a true stereo effect. The compressor can be described as an upwards averaging compressor. Digital compressors, like analog compressors, decrease audio above a given threshold. Unlike analog compressors, they increase gain below the threshold. The result from either analog or digital compression is exactly the same — less dynamic range.

As shown in the diagram below, the audio path takes two routes. One path goes through a predelay mechanism which delays the audio a maximum of 48 ms. The other path sends control information (dependent on the settings of slope, threshold, attack and release) to “digital VCA’s” labeled MAX COMP GAIN and EXP GAIN. As the signal crosses the threshold point, both Compressor Gain and Expansion Gain vary constantly. Compressor Gain determines the maximum amount of gain increase below the threshold; Expansion Gain determines the maximum amount of gain attenuation below the threshold.

Generally, digital compression requires lower threshold settings than analog compression. The reason for this is that there is no such thing as headroom in a digital system — dBfs (Digital Full scale [0VU]) is the maximum level audio. Audio dynamics below full scale, however, can be manipulated and modified.

#### Example

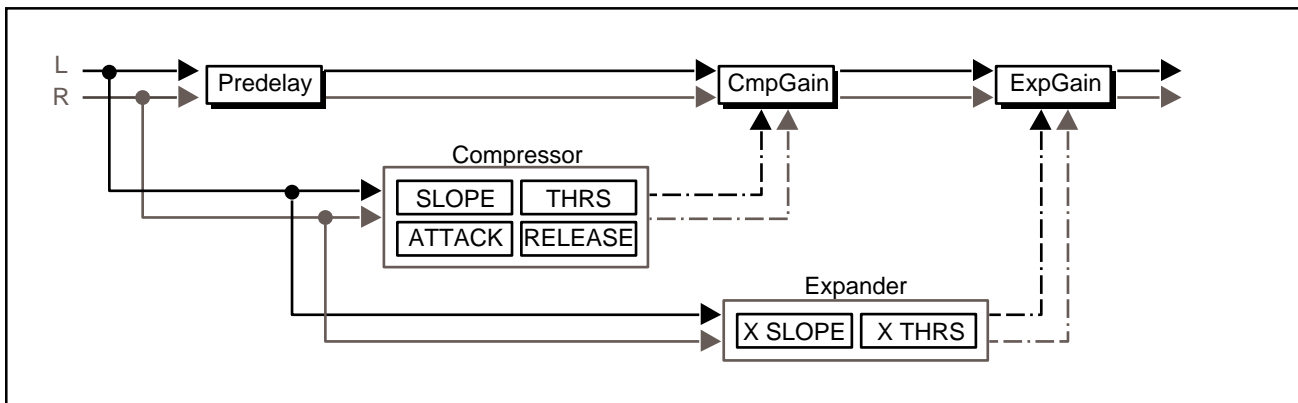
1. Press SETUP SELECT and turn the Softknob to select Cascade Setup: 313 STEREO COMP. This preset loads the stereo compressor into both machines but mixes Machine B to full dry. (no point in compressing twice!)
2. Press ENTER to load the preset.
3. Press EFFECT EDIT. Note the front panel level meters and try to establish the average input level. A simple approach might be to look at the peaks and valleys in signal amplitude and estimate the middle ground. If this all seems too complicated, just select THRS and set it to -17dB.
4. Select GAIN and set it to Max (9 dB). At this point there should be no effect on the dynamics because you’ve not yet adjusted the slope parameter.
5. Select SLP and increase it to 2.0 : 1 (a 2 to 1 Compression Slope). Now you should hear a change. If you still do not hear a net effect, readjust THRS until something becomes audible. Remember, as you adjust the threshold clockwise (closer to digital full scale) more and more audio will be gain increased — overload can occur!!

The whole purpose of a digital compressor is to maintain peaks while compressing lower level audio signals upwards. If you think about it in terms of the most significant and least significant bits, you would never want to reduce the most significant bits — you want to increase the least significant bits.

Adding some pre-delay gives the control mechanism time to react before the audio reaches the digital VCA. Of course, the more predelay you add, the more “out of sync” the audio will become. Attack constants should be kept to short values (7,15, or 30ms). A good starting point for release time is 91 or 114 ms.

**Compressor Parameters**

Compressor Adjustments			
<b>DM:</b>	<b>PDLY</b>	<b>ATC</b>	<b>RTC</b>
	0-48ms	0-960ms	0-4000ms
<b>MchB</b>	<b>THRS</b>	<b>GAIN</b>	<b>SLP</b>
	0 to -40dB	0-24dB	1.0-99.99:1
Expander Adjustments			
<b>DM:</b>	<b>EXTH</b>	<b>EXG</b>	<b>EXSL</b>
	0 to -70dB	0-24dB	1.0-8.93:1
<b>MchB</b>	-	-	-
	-	-	-
Effect Naming Page			



**Compressor Adjustments Page**

**PDLY** PDLY sets the predelay of the audio before the digital VCA.

**ATC (Attack)** ATC adjusts the attack time constant.

**RTC (Release Time Constant)** RTC allows adjustment of the release time constant.

**THRS (Threshold)** THRS sets the level at which compression starts.

**GAIN** GAIN adjusts the gain of low level signals (below the compression threshold).

**SLP (Slope)** SLP controls the slope of the gain reduction curve or the ratio of input level versus output level.



**Expander Adjustments Page**

EXTH sets the threshold at which the expander starts to work.

**EXSL**

EXG sets the amount of negative gain.

**EXTH**

EXSL controls the slope of the expander circuit.

**EXG**

Dither is a low-level pseudo-random signal which is added to digital audio to reduce quantization noise, in effect, by replacing it with a "nicer sounding" noise. It is possible to filter the quantization noise in such a way that almost all of the noise within the frequency range where human hearing is most acute is shifted to higher frequencies. This is called psychoacoustically optimized noise shaping (PONS) because it takes advantage of the variations in the ear's sensitivity to noise within the 20 Hz - 20 kHz range.

**PONS**

**General Description**

PONS Adjustments			
<b>CC:</b>	<b>DITH</b>	<b>PONS</b>	-
	0-254	On/Off	-
<b>MchA</b>	-	-	-
	-	-	-
Effect Naming Page			

**PONS Parameters**

**PONS Adjustments Page**

DITH allows you to vary the amount of dither gain added to the signal.

**DITH (Dither Gain)**

This control allows you to turn the dither function on or off.

**PONS**

## Small Stereo Ad-

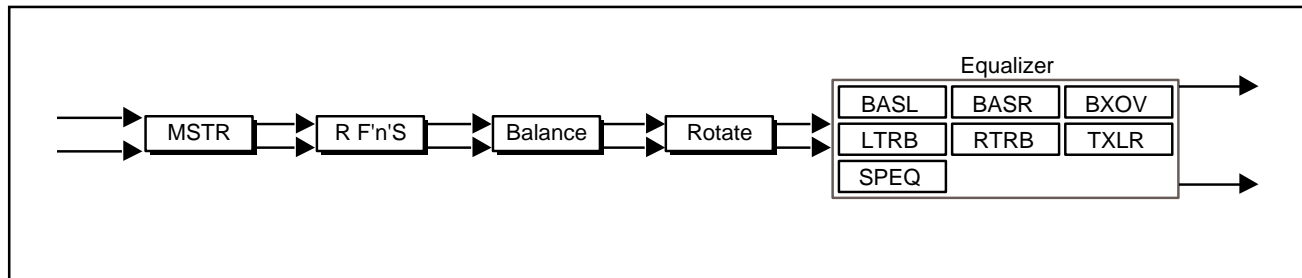
### General Description

**just**

The Small Stereo Adjust algorithm is a version of Stereo Adjust with some of the specialized features omitted. It is designed to be put in a Cascade Setup ahead of PONS.

### Small Stereo Adjust Parameters

Stereo Adjustments			
<b>CC:</b>	<b>MSTR</b>	<b>BAL</b>	<b>ROT</b>
	Off, -72dB to +12dB	L+2.9 to R+2.9dB	L+2.9 to R+2.9dB
<b>MchA</b>	-	<b>SPEQ</b>	<b>RFnS</b>
	-	Cut, -6 to +6dB	+L+R,+L-R,+R+L,-R+L
Equalization			
<b>CC:</b>	<b>BASL</b>	<b>LTRB</b>	<b>BXOV</b>
	Cut, -18dB - +6dB	Cut, -18dB - +6dB	0.1-26.5kHz
<b>MchA</b>	<b>BASR</b>	<b>RTRB</b>	<b>TXLR</b>
	Cut, -18dB - +6dB	Cut, -18dB - +6dB	0.1-26.5kHz
Effect Naming Page			



### MSTR (Master Fader)

#### Stereo Adjustments Page

MSTR is a stereo level control, with both channels equally attenuated or boosted. From -12 to +12 the fader moves in .25 dB increments. Below -12 it moves in .50 dB increments. Below -60 dB the calibration comes in larger steps, finally dropping to zero output at -72 dB.

### BAL (Balance)

BAL implements a sine/cosine balance adjustment. Balance is smoothly adjusted over a wide range, with excellent resolution in the critical area around zero. The display indicates the actual channel gains as the control is varied.

### ROT (Rotate)

ROT is similar to BAL, but it treats stereo information somewhat differently. Any signal panned to the center (mono) will be treated by ROT exactly as it would be treated by BAL. However, if a signal is panned full right and the control is moved toward the right, instead of simply being attenuated (as BAL would do) the right channel is inverted in phase and added to the left channel. A stereo image appears to rotate when this control is used. Ambient information is preserved,

and both channels appear to retain equal loudness.

If stereo material is recorded with a coincident pair of figure-of-eight microphones, moving the ROT slider is exactly equivalent to rotating the microphone pair. Other microphone arrays and multimicrophone setups do not rotate perfectly, but using this control is frequently preferable to simply adjusting balance. The display shows the actual channel gains for a continually panned source.

RFnS is used for digitally correcting problems you used to be able to fix (or create) by switching analog cables around. The normal setting is +L to the left output and +R to the right output. Other settings should only be used when correcting some problem created previously in the recording process.

- +L+R = Normal Routing
- +L-R = Right Channel polarity inverted (flipped)
- +R+L = Left and Right Channels swapped
- R+L = Right flipped and swapped with Left

## Equalization Page

BASL and BASR are 6dB/octave shelving EQ controls with a range of +6 dB boost and -18dB cut. They move in .50 dB steps from +6 to -6 dB. The crossover point is adjusted with BXOV.

These controls allow independent adjustment of left and right treble. They may be used together with the stereo adjustments to create a 12 dB/octave cut or boost. Note that the 3 dB frequencies can be different from the stereo set.

BXOV sets the crossover point for BASL and BASR. When BASL and BASR are set to full cut, the level is -3 dB at the frequency set with BXOV.

TXLR sets the crossover point for LTRB and RTRB. When either is set to full cut, the level is -3 dB at the frequency set with TXLR.

SPEQ sets the amount of a crossfeed between channels. The signal first goes through a 6 dB/octave low-pass filter whose frequency is set with BXOV. When SPEQ is set positive (above 0) the crossfeed has a negative sign. When SPEQ is set negative (below 0), the crossfeed has a positive sign. When the control is set to either maximum or minimum, the gain in the crossfeed circuit is unity.

The result of this control is to change the separation of low frequency stereo signals. When the control is raised, low frequencies in the sum (mono) channel are reduced, and low frequencies in the difference (stereo) channel are raised. With the control at maximum, low frequency mono signals are completely removed. This represents an extreme setting which should seldom be needed

## RFnS (Right Channel Flip 'n' Swap)

## BASL and BASR

## LTRB and RTRB

## BXOV (Bass Crossover)

## TXLR (Independent Treble Crossover)

## SPEQ (Spatial EQ)

in practice.

With material which has stereo bass information, or which contains some reverberation, the effect of raising SPEQ is to increase the sense of spaciousness and depth of the sound. It is particularly useful on material recorded with panpots, or coincident and semi-coincident microphone technique.

When most of the bass in a recording is in the sum (mono) channel, raising SPEQ may reduce the bass level. This effect can be compensated for by raising the overall bass level with BASL and BASR. Since both controls use the same BXOV setting, this compensation will be quite accurate as long as SPEQ is set to less than 3 dB boost.

---

## The Presets

**The Setup Presets** The 300 is shipped with 100 setup presets (50 Single Setups, and 25 each of the two split setup types), as well as 50 setup registers for storing your modified setups.

**Single Setup (and Effect) Presets** Single Effects are only available in Single-type Setups. Therefore, the descriptions (and the names) of the setup and effect presets are identical. An asterisk (\*) indicates there is a Soft knob patch which controls various parameters with one controller.

#	Name	Algorithm	Description
P101	Large Hall	Random Hall	Used as a great standard reference point. The hall size is big, with a gentle bloom in the reverberation envelope. The first set of pre-echoes is set to 14 and 20 ms, but the levels are set to OFF. Set levels to taste if you want to add some initial reflections.
P102	Medium Hall	Random Hall	Similar to Large Hall, but the size is not as big (29.3) and the reverb time is proportionately shorter. The same arrangement exists for the pre-echoes.
P103	Small Hall	Random Hall	An even smaller version, a bit denser — good for general reverb fill.
P104	* Church	Random Hall	This preset is big and spread out. There are 2 close in pre-echoes and 2 longer and softer delays which have low recirculation added. The Soft knob controls the Size parameter (Spread and Shape are intrinsically linked), and Treble Decay. As the Soft knob value is increased, Room Size is decreased and Treble Decay is brightened.
P105	* Rooms	Random Hall	This preset links Room Size to the Soft knob. As you turn the Soft knob, Room Size will go from its initial value of 19.1Meters down to 9.6Meters. These Rooms are diffuse and very articulate sounding. Lower values of Room Size tend to be more resonant sounding. Good for dialog reads.
P106	RehursalRoom	Random Hall	This is a dense, brashy-sounding space with the listener in the back of the room. Rolling off the high-cut filter will put the carpeting on the walls. Room size is set to 15.2M, so the sound is very tight. Good on vocals and fill.
P107	* Chamber	Random Hall	Like the Room Preset, the Soft knob is patched to the Size parameter. Advancing the softknob reduces the Size value from a maximum of 25.3 Meters to 14.1 Meters. Imagine a chamber with a reflective plaster finish.
P108	LiveDrumRoom	Random Hall	Bright and tight. The Soft knob is patched to the Size and Rolloff parameters so that advancing the knob value makes the room a little bigger and brighter.
P109	* Studio A	Random Hall	This preset sounds like the "big" rooms (\$125/hour). The Softknob is patched to Delay Levels 3 and 4, as well as to the Rolloff and Treble Decay parameters. Advancing the Soft knob increases all of these parameters, making the studio brighter and more reflective.
P110	* Studio B	Random Hall	A smaller Studio area than Studio A. The Soft knob is patched to Pre-echo Levels 3 and 4. Advancing the Soft knob makes the Studio more reflective.

#	Name	Algorithm	Description
P111	* Brick Wall	Random Hall	This preset is wide and abrupt sounding. The Soft knob makes the Wall smaller.
P112	* Deep End	Random Hall	This preset actually goes from the Deep End to the Shallow End. We just didn't have the space in the display to fit the title.
P113	Oil Tanker	Random Hall	Round and boooooomy. All of the pre-echoes are utilized to present strong reflections from the original source.
P114	*Synth Hall	Random Hall	A very diffuse, medium-sized with a long RT value. The Soft knob advances Shape, Spread, Predelay, and Rolloff.
P115	Dance Hall	Random Hall	Medium bright hall. 1.4 seconds of reverb time. Super on "backing" vox. Great for the whole band.

#	Name	Algorithm	Description
P116	* Ambience	Random Ambience	This preset creates a great sounding starting point. Wonderful for soloists. The Soft knob makes the space smaller and more randomized.
P117	In A Room	Random Ambience	Definitely short and abrupt. Very realistic for ADR work.
P118	Stairwell	Random Ambience	About 14 stories up and very "fluttery" sounding. Increasing the Size parameter will move you higher into the concrete building.
P119	Hangar	Random Ambience	Big, wide, open, enclosed space (38.8M). Very diffuse. Akin to a hangar with two 747's in it.
P120	MarbleFoyer	Random Ambience	A very realistic hotel or apartment foyer area. The Mix control in Setup Edit is set to 70% while the dry delay in Effect Edit is set to 19.1ms to create a single hard reflection before the onset of the main reverb effect.
P121	Early Reflect	RandomAmbience	Very, very diffuse ... almost gated sound. A nice short ambience never gets in the way of the effect.
P122	Lecture Hall	Random Ambience	University-sized (24.8 Meters) without the 150 students in it.
P123	*Car Interior	Random Ambience	Not much explanation nessessary here, except that the Soft knob is attached to Spin, which "waffles" the audio around.
P124	Score Stage	Random Ambience	Makes use of a large size (33.2) with a moderate amount of diffusion. Great on string parts.
P125	Gate It!!	Random Ambience	Loud and dense. Use the size parameter to match duration of the gate to the tempo of the music. Boom-boom on drums.

**Single Setup  
Presets cont'd.**

#	Name	Algorithm	Description
P126	* Rich Plate	Rich Plate	The old standard comes back to the future. Advancing the Soft knob controls the reverb time negatively.
P127	Glossy Plate	Rich Plate	This preset shines a little differently. Some close in pre-echoes gives a strong impact to the original source.
P128	Warm Plate	Rich Plate	Not your average bright plate — rather a slightly dull version which will work very well on horn tracks, adding point and definition.
P129	Perc Plate	Rich Plate	For drums and the like. Not bad on piano either.
P130	Contem-Plate	Rich Plate	Bright and splashy-sounding. Should work well to brighten a track without getting too washy-sounding.
P131	*EKO Plate	Rich Plate	Combines a sweet combination of recirculating pre-echoes and bright sounding reverb. The Soft knob is negatively patched to RTIM and Delays 1 and 2.
P132	Bright Plate	Rich Plate	Slightly smaller version of Contem-Plate. Great of vocals. Some strong pre-echoes to help the direct sound stand out.
P133	* Round Plate	Rich Plate	Soft, but articulate. The Soft knob is patched to feedback paths surrounding pre-echoes 1 and 2, which feedback into the reverberator.

#	Name	Algorithm	Description
P134	StereoAdjust	Stereo Adjust	Sets you up to fix audio sources. Null preset with pages for EQ, delays, phase and channel swaps, and DC offset removal.
P135	Phase Invert	Stereo Adjust	The right channel is phase reversed to the left. If you put a mono signal into this program and pan the output returns left and right, you'll definitely twist your head off. *NOTE This phase-reversed mono signal will also decode to the surround channel if run through a surround decoder.
P136	2 Frame Delay	Stereo Adjust	66.3 ms of delay running at 44.1kHz and 65.9 ms at 48kHz.
P137	3 Frame Delay	Stereo Adjust	100 ms of delay at both operating frequencies.
P138	4 Frame Delay	Stereo Adjust	133 ms of delay at both operating frequencies.
P139	MS Decode	Stereo Adjust	Take a 2-channel Mid (left input) Side (right input) recording and this program will properly decode to stereo output.
P140	*MultiEchoes	Stereo Adjust	This preset combines echoes under the control of the Soft knob. As you advance the Soft knob, the delays will get longer.
P141	LFO Panner	Stereo Adjust	This preset attaches the LFO to the Stereo Adjust balance control. Once again, the LFO Rate determines the speed of the pan. This preset should be used from a pre-fade send source.
P142	Telephone	Stereo Adjust	No bottom end....AT ALL.



#	Name	Algorithm	Description
	<b>*Stereo Shift</b>	Stereo Pitch Shift	Straight ahead stereo pitch shifting with the Soft knob attached to the Glide parameter. The stored value of the Soft knob is 55 which, when turned negatively to zero, will yield an output 2 octaves down; when turned all the way up, will give an output 1 octave above unison.
	<b>Octave Down</b>	Stereo Pitch Shift	Just like the name sez..
	<b>Vox Chorus</b>	Stereo Pitch Shift	This preset is configured with different preset values of pitch shift for left and right: down 23 cents on the left and down 43 cents on the right. There are also different delays for the left and right with small amounts of feedback for each. Whip this one on either the lead vocal or BG Vox.
	<b>Pole Flange</b>	Stereo Pitch Shift	Similar to a "Barber Pole" type flange. Mix 50/50 between source and returns.
	<b>Bulkie Roll</b>	Stereo Pitch Shift	Fluffy-sounding chorus effect. Mode is set to Mono so you can independently pitch left or right. When sent to the 300 pre-fader, the return audio has a slow motion movement around the stereo field.
	<b>Heavy Roll</b>	Stereo Pitch Shift	Another independent left/right preset except much stronger amounts of shift between the two channels. Don't use this on anything pretty, make the nasty... nastier.
	<b>Going, Going</b>	Stereo Pitch Shift	Up, Up, Up....in whole steps. The Soft knob is patched to the delay, which you adjust to suit your taste.
	<b>Zorch!</b>	Stereo Pitch Shift	Up and down with delays and feedback. Nightmare audio.

### Split Setup Presets and their Effects

Split Setups are divided into two types: Dual Mono (numbered 201-225 in Setup Select mode), and Cascade (numbered 301-325 in Setup Select mode). Most Dual Mono Setups have the left input feeding Machine A, and the right input feeding Machine B.

Each Setup description below is followed by a description of the two effects incorporated in the Setup.

### Dual Mono Setups and Effects

<b>P201</b>	<b>DM: Rev/Rev</b>	<b>EA:701:Chamber</b>	<b>EB:702:Key Chamber</b>
<p>This setup utilizes two independent reverbs. The left input feeds Machine A; the right input feeds Machine B. Each can be used independently and, in fact, should be used that way. Pan the output of each Machine (at the console) to suit the mix.</p> <p><b>MchA EA:701 Chamber</b> A great general purpose reverb tail. The size is set to 28.1M (the largest value is 64M) so the density is rather close in. As you adjust SIZE, the Rt value will also change. If you want to unlink this natural phenomena, set LINK to Unlink (on Page Two).</p> <p><b>MchB EB:702 Key Chamber</b> A nice "bloomy" sounding reverb. Diffusion is set midway, so there is some good articulation at the beginning of the reverb envelope. Use this on most keyboards, but those with a strong point may require a bit more Diffusion.</p>			
<b>P202</b>	<b>DM: Rev/Dly</b>	<b>EA:703:Drum Chamber</b>	<b>EB:607:LFO:Faze Delays</b>
<p>REV/DLY utilizes a great sounding mono reverb for kick and snare. Machine B runs Faze Delays, getting its signal from the right input. The LFO in Setup Edit runs at .24Hz with a triangle waveform. The FDLY parameter in Machine B is patched to this LFO.</p> <p><b>MchA EA:703 Drum Chamber</b> Good starting point for acoustic drums. This preset is slightly larger than the standard chamber, but has less Diffusion. Rt is set to 1.0 second at mid frequencies.</p> <p><b>MchB EB:607 LFO:FazeDlys</b> Faze Dlys makes use of the LFO patched to the Flange Glide Delay(FDLY). The base delays are set in different time domains: one side at 1.9ms with a feedforward gain; the other at 5.6 with a negative feed gain. As the Glide passes over each base delay, the phase of each gain is changed. In between, the output is a mixture of each. A great effect on a ripping guitar solo.</p>			
<b>P203</b>	<b>DM: Rev/Pch</b>	<b>EA:705:Guitar Room</b>	<b>EB:802: Guit Shift</b>
<p>This Dual Mono preset will get you set for your guitar tracks. The LFO is set to 0.24 . Increase the rate (in Setup Edit) to increase the pitch glide in the Guitar Shift Effect preset.</p> <p><b>MchA EA:705 Guitar Room</b> This is a big, wide-sounding room for your guitars. For heavy rock stuff, you might consider panning "in" the returns. The room is a little bottom heavy for additional warmth. Could also work well on vocals.</p> <p><b>MchB EB:802 Guitar Shift</b> This preset offers a medium amount of micropitch shift(-14c), along with a small amount of recirculating predelay. Actually, the glide pitch parameter (GLD) is patched to the LFO running in the Setup. The LFO causes the GLD to glide between -14c and -7 cents. If you move the GLD parameter (in Effect Edit) to -21c, the preset becomes raunchy sounding on "beefy" guitars.</p>			

**P204 DM: Rev/Comp**  
**EA:707: "U" Chamber EB:901: EZ Comp2:1**

This preset utilizes a chamber preset on the left input and a compressor preset on the right input. Typically, EZ Comp2:1 should be used at a patch point on the console. If used on an effect send, make sure the fader sends are pre-fade, or a phase error will occur between the fader signal and the return to the console.

**MchA EA:707 "U" Chamber** This preset is shaped liked an upside down "U" with the speaker on top of the wall, and a microphone on either side of the wall.

**MchB EB:901 EZ Comp 2:1** An "easy" preset to add to an overall stereo mix or mono or stereo submix. You might need to adjust Threshold to make it work for the particular signal you feed it. Release is set to gently (2:1) fall away after 363ms.

**P205 DM: Dly/Dly**  
**EA:609: Chorus EB:612: Chorus+EKOz**

Think of this preset as *the* chorus preset for mono sources. Left input feeds Machine A; right feeds Machine B. Both effects have their flange glides attached to the Setup LFO. The LFO is set to 1.38Hz with a sine waveform.

**MchA EA:609 Chorus** The Chorus preset makes use of a small variation in the glide delay to modulate the sound. The glide moves between 9.7ms and 11.8ms. Advancing the LFO to values near 1.50Hz to 2.0 Hz, yields a nice chorusing effect. There are no other delay lines, but the output lines are channel-swapped such that the left input passes to the right output and vice-versa. In a Dual Mono Setup, this is, of course, inaudible.

**MchB EB:612 Chorus+EKOz** Chorus+EKOz makes use of the flange gliding delay (via the Setup LFO) and several longer recurring echoes.

**P206 DM: \*Dly/Pch**  
**EA:601: \*Dual Delays EB:804: Sky Down**

This preset incorporates a Setup Soft knob patch to the effect in Machine A (\*Dual Delays). Paging up one page will activate the Soft knob as a multi-parameter controller. In this Setup, going to this location in Setup Select mode will change the stereo delay parameter in preset 601 which is loaded into Machine A (left input). Machine B (right input) loads a pitch shift program.

**MchA EA:601 \*Dual Delays** Baseline effect with the Soft knob patched to the last two delay lines in the signal path. Advancing the Soft knob will cause the two post-delays to move in sync out to almost 3000ms.

**MchB EB:804 Sky Down** This preset tunnels downward due to the liberal amount of delay feedback. If the effect is too heavy, lower the Feedback value. This preset has no Mod Edit patches.

**P207 DM: Dly/Comp**  
**EA:602 Space Delays EB:902 DrumComp3:1**

This preset presents a delay preset to the left effect input/output, and a Drum compressor preset to the right effect input/output.

**MchA EA:602 Space Delays** This preset incorporates a bit of left-right diffused delay, along with some small delay offset between left and right delay outputs. If the effect is too strong, try lowering feedback levels for delays 3 and 4.

**MchB EB:902 DrumComp 3:1** This is a bit more aggressive, with 7dB of boost below the selected threshold. A quick release of 58ms snaps up the volume. As with all compressor presets, Threshold is the critical parameter.

**P208 DM: \*Pch/Pch**  
**EA:803 \*Up Shift EB:806 Echo Down**

A true Dual-Mono pitch preset. Going to the Soft knob parameter location (in Setup Select mode) will enable you to advance the delay parameter in the Machine A effect.

**MchA EA:803 \*Up Shift** Up Shift is a sweet sounding microshift up +7cents. There is a slight “chorus edge” due to a modest amount feedback around a 0ms delay line. The Soft knob controls the delay line length.

**MchB EP:806 Echo Down** 14 cents down with a 258ms recirculating delay line. This effect works great either before or after a Reverb preset (in a Cascade Setup).

**P209 DM: Pch/Comp**  
**EA:810 Vocal Shift EB:902 DrumComp3:1**

Send a vocal track into the left input and send a mono prefade drum premix into the right input.

**MchA EA:810 Vocal Shift** This preset combines a short delay line recirculating around a -7 cent pitch shifter.

**MchB EB:902 DrumComp 3:1** This is a bit more aggressive, with 7dB of boost below the selected threshold. A quick release of 58ms snaps up the volume. As with all compressor presets, Threshold is the critical parameter.

**P210 DM: Comp/Comp**  
**EA:901 EZ Comp EB:902 DrumComp 3:1**

This is a true “Dual Mono” Setup. Any audio (analog or digital) should be sent pre-fade or inserted in a patch point.

**MchA EA:901 EZ Comp 2:1** A nice preset to add to an overall mix. You may need to adjust Threshold to make it work for the particular signal you’re feeding it. The release parameter is set to gently fall away after 363ms.

**MchB EB:902 DrumComp 3:1** This is a bit more aggressive, with 7dB of boost below the selected threshold. A quick release of 58ms snaps up the volume. As with all compressor presets, Threshold is the critical parameter.

**P211 DM:Slow Spin**  
**EA:607 LFO:FazeDlys EB:609 Chorus**

The LFO is set to 0.90Hz with a Triangle waveform, and is attached to both Machine Flange Glide Delays. Turning the LFO faster will speed things up, but may cause Machine A to pitch too heavily. This preset can be used with either mono or stereo sources, but discrete echoes will appear at the left output.

**MchA EP:607 LFO:FazeDlys** Faze Dlys makes use of the LFO to the Flange Glide Delay (FDLY). The base delays are set in different time domains: one side at 1.9ms with a feedforward gain; the other at 5.6 with a negative feed gain. As the Glide passes over each base delay, the phase of each gain is changed. In between, the output is a mixture of each. A great effect on a ripping guitar solo.

**MchB EP609 Chorus** This preset makes use of a small variation in the glide delay to modulate the sound. The glide moves between 9.7ms and 11.8ms. Advancing the LFO to values near 1.50Hz to 2.0 Hz yields a nice chorusing effect. There are no other delay lines, but the output lines are channel-swapped such that the left input passes to the right output and vice-versa. In a Dual Mono Setup, this is, of course, inaudible.

**P212 DM:WideFlang**  
**EA:605 OverTheTop1 EB:606 OverTheTop2**

This preset can be used with either two mono sources, or one stereo source. One channel glides with a positive resonance, the other flanges with a negative resonance. This preset sounds really awesome with a pre-fade mono send going to each input. The LFO, which is set to 0.22Hz with a triangle waveform, determines the speed of the flange glides in each Machine.

**MchA EP:605 OverTheTop1** This preset should be used pretty much through the box, i.e. send it a pre-fader signal, then mix only the returns. The Flange Delay is patched to the LFO. When properly modulated, the flange delay glides between 9.5ms and 18ms. The base delays are set to 10ms with a positive feedback gain. Over the top cancellation occurs as the glide delay passes over the 10ms base delay. *Remember, the LFO lives in the Setup domain, so if you load the effect into a setup where there is no LFO activity, the preset will sound "hollow" and resonant!*

**MchB EP:606 OverTheTop2** Similar to OverTheTop1, except the flange delay glides between .08 ms and 10.7ms. This flange delay is patched to the LFO. The base delays are set to 10ms, with a negative amplifier gain. Over the top cancellation occurs as the glide delay passes over the 10ms base delay. The channel outputs are reversed such that the left input will pass through to the right output and vice-versa. *Remember, the LFO lives in the Setup domain, so if you load the effect into a setup where there is no LFO activity, the preset will sound "hollow" and resonant!*

**P213 DM:X-Traffic**  
**EA:612 Chorus+EKOz EB: \*Sky Delays**

This preset has cross panning (ABAL and BBAL) patched between the source inputs of each Machine. That is, the left input signal will pan between Machine A and Machine B; the right input will do the same thing in the other direction. One idea might be to take a pair of related tracks (say a couple of different sounding keyboards) and cross pan them between Machine inputs. The rate of the pan is set by the LFO. Remember, the LFO (set to 0.14Hz with a triangle waveform) is also patched to the flange glides in both Machine A and Machine B.

**MchA EA:612 Chorus+EKOz** Chorus+EKOz makes use of the flange gliding delay and several recurring echoes.

**MchB EB:610 \*Sky Delays** This preset combines a bit of giding delay along with all sets of delays. Delays 1 and 2 are set short with feedback and "tuned" diffusion gains. Delays 3 and 4 are also set short and crossfeed into 2 and 1, respectively. There is a small amount of post delay (LDLY and RDLY), and these two post echoes are patched to the Soft knob. Use the Soft knob parameter to adjust post delays to match the tempo. By itself, \*Sky Delays is sort of a chorused cluster echo — very similar to a bright resonant small room. Beautiful effect on stacked vocals.

**P214 DM:\*GearUp**  
**EA:803 \*Up Shift EB:805 Env\*EKOShift**

This preset has both Machines linked to the Soft knob value location. As you advance the Soft knob parameter, the delay line lengths will get progressively longer.

**MchA EP:803 \*Up Shift** A sweet sounding microshift up +7cents. There is a slight "chorus edge" due to a modest amount feedback around a 0ms delay line. The Soft knob controls the delay line length.

**MchB EP:805 Env\*EKOShift** The Soft knob parameter controls the delay line length, and the L-Meter is negatively patched to the feedback (FBK) parameter, such that when signal is present, delay feedback is reduced; when the signal disappears, feedback is increased. This is a very interesting effect when the echo fits the beat of the music.

**P215 DM:TwoRooms**  
**EA:P715 Joe's Garage EB:P709 Basement**

Garage band and Basement band. Use with Dual Mono sources and place behind the source.

**MchA EA:715 Joe's Garage** Two bays, no waiting. Small and bright.

**MchB EP:709 Basement** Tight and short. Size is 15.8 meters, and the tonality is fairly resonant sounding. Almost trashy-sounding (low diffusion), and will certainly get so if the Rt is made longer.

**P216 DM:TwoHalls**  
**EA:720 Recital Hall EB:710 Big Hall**

Two mono halls (left to left, and right to right). Try reversing the returns relative to the sources at the console for a different effect.

**MchA EA:720 Recital Hall** This medium large (44.5M) space opens sound sources beautifully. Made for string pads and voice.

**MchB EP:710 Big Hall** Big and open sounding. The 44ms of predelay help to separate the stage from the seating area. Real good sounding on ballad vocals.

**P217 DM:\*Verbs**  
**EA:717 \*Drum Rooms EB:711 \*Great Room**

Advancing the Soft knob parameter will change the characteristics of each Machine preset as described below...

**MchA EP:717 \*Drum Rooms** Deep and narrow in shape. The Soft knob parameter makes the room "shallower" and gated sounding.

**MchB EP:711 \*Great Room** The Soft knob parameter advances Predelay and Spread to open the room up nearly to hall proportions. Bass multiply (BASS) is set to 2.0X to round out the bottom end.

**P218 DM:\*RevPan**  
**EA:707 "U" Chamber EB:708 \*'L' Chamber**

This preset has two Setup Edit parameters patched to the LFO; ABAL and BBAL. Sources going into Machine A and B will cross pan between them, as in X-Traffic. The LFO is set to 0.06Hz with a triangle waveform.

**MchA EA:707 "U" Chamber** This preset is shaped liked an upside down "U" with the speaker on top of the wall and a microphone on either side of the wall.

**MchB EP:708 \*'L' Chamber** "L" Chamber mimics the shape of a chamber shaped like that letter. A little bigger than the "U" chamber. Reverb time is patched to the Soft knob parameter.

**P219 DM:Up&Down**  
**EA:807 HalfStepsUp EB:808 HalfStepsDn**

Left to Machine A and right to Machine B. Diabolical and horrifying sounding.

**MchA EA:807 HalfStepsUp** Just what you think...

**MchB EB:808 HalfStepsDn(down)** Ditto...

**P220 DM:MyGuitar**  
**EA:802 Guit Shift EB:614 Env:Peak**

Great stuff for either a mono or stereo guitar. Machine B should get a very strong, if not a total, pre-fade signal.

**MchA EA:802 Guitar Shift** This preset offers a moderate amount of micropitch shift(-14c), along with a small amount of recirculating pre-delay. Raunchy sounding on beefy” guitars.

**MchB EB:614 Env:Peak** This preset is similar to an OverTheTop type of effect, except the flange delay is patched to the meter ballistics. Depending on the dynamics of your guitar playing, you may wish to adjust the scaling parameter which is found in the Mod Edit patch.

**P221 DM:EnvSpooge**  
**EA:614 Env:Peak EB:608 Env:Phazer**

This preset uses two effects which have meter ballistics patched to the flange glide delays, with a twist: the Machine A Mod Edit patch gets its modulation information from the R-meter; the Machine B flange glide Mod patch is specified to modulate from the ballistics of the L-meter. One input modulates the other — A T-shirt to the engineer who gets the most creative.

**MchA EP:614 Env:Peak** This preset is similar to an OverTheTop type effect except the flange delay is patched to meter ballistics. Some modification of the scaling parameter in the Mod Edit patch may be necessary to suit Machine B ballistics.

**MchB EP:608 Env:Phazer** This preset makes use of a patch between the L-Meter and the flange glide delay. As signal becomes stronger, the glide delay drops in the time domain, eventually crossing the 5.2ms base delays. As audio signal strength lessens, the glide returns to its preset value of 10ms. Very good on vocals. To make this effect work properly, be sure to drive the 300 to within 12dB of full scale (dBfs). *Remember, in this setup the effects are reversed from the meter ballistics which drive them. Good Luck!!!*

**P222 DM:FIng&Dlys**  
**EA:615 Negative Flang EB:602 Space Dlys**

This is a true Dual Mono Setup. The Setup LFO is set to 0.6Hz with a triangle waveform. It drives the flange glide delay (FDLY) in Machine A.

**MchA EA:615 NegativeFlng** This is a really stiff flange which goes almost 20ms deep. Flange gain is set extremely negative, so the sound is tunnel-like.

**MchB EB:602 Space Delays** This preset incorporates a bit of multi-diffused delays along with some small delay offsets between the post delay outputs. If the effect is too strong, try lowering feedback levels for delays 3 and 4. You may hear a kind of resonant “tuning” to the return signal. This is because the flange delay has gain (LFLG and RFLG) in the circuit, but it is not patched to the LFO. It just stays in its preset location at 8.6ms. If you want to change the “tuning,” adjust flange glide (FDLY) in Effect Edit mode to another value.

**P223 DM:\*Dly Daze**  
**EA:604\*3VoiceDlys EB:603\*PingoPongo**

The Soft knob parameter affects the delay spacing in both Machine effect presets. Increasing the Soft knob parameter value will make each delay effect longer and longer; decreasing it will make each delay effect shorter. The Soft knob value is set to 12 when the setup is selected.

**MchA EA:604 \*3Voice Dlys** Two taps (Delays 3 and 4 ) are set with delay ratios of 1:2, meaning that, when one is 200ms, the other is 400ms, or when one is 359, the other is 718ms. This relationship is patched to the Soft knob parameter in Setup Select mode.

**MchB EB:603 \*Pingo Pongo** Ping - Pong delays bouncing back and forth. The Soft knob controls the timing of the bounce.

**P224 DM:Clusters**  
**EA:612 Chorus+EKOz EB:604 \*3Voice Dllys**

This preset is intended for “dual-mono” use. The LFO is set to a Triangle shape moving at 2.50Hz. The Soft knob changes the spacing of the delays in Machine B. The Soft knob value is set to 20 when the setup is selected. This means that the Soft knob can go down from its preset value if the application warrants it.

**MchA EP:612 Chorus+EKOz** Chorus+EKOz makes use of the flange gliding delay and several recurring echoes.

**MchB EP:604 \*3Voice Dllys** Two taps (Delays 3 and 4 ) are set with delay ratios of 1:2, meaning that, when one is 200ms, the other is 400ms, or when one is 359, the other is 718ms. This relationship is patched to the Soft knob parameter in Setup Select mode.

**P225 DM:2 Flanges**  
**EA:606 OverTheTop2 EB:804 Sky Down**

Two dual mono flange effects. This preset can work nicely with the same signal going to both Machines.

**MchA EA:606 OverTheTop2** Similar to OverTheTop1, except the flange delay glides between 0.08 ms and 10.7ms. This flange delay is patched to the LFO. The base delays are set to 10ms with a negative amplifier gain.

**MchB EB:804 Sky Down** This preset tunnels downward due to the liberal amount of delay feedback. If the effect is too heavy, lower the feedback amount.

## Cascade Setups and Their Effects

**P301 CC:Rev ->\*Dly**  
**EA:701 Chamber EB:601\*Dual Delays**

This preset passes a reverb effect into a delay effect with a delay Soft knob patch. As the Soft knob parameter is advanced, the reverb will be delayed. If you modify the BMIX to some value less than its full wet preset value, an interesting pre-echo effect will occur.

**MchA EA:701 Chamber** A great general purpose reverb tail. Size is set to 28.1M (the largest value is 64M), so the density is rather close in. As you adjust Size, Rt will also change. If you want to unlink this natural phenomena, set LINK to unlinl (on Page Two).

**MchB EB:601 \*Dual Delays** Baseline effect with the Soft knob parameter patched to the last two delay lines in the signal path. Advancing the Soft knob parameter will cause the two post-delays to move in sync out to more than 2200ms.

**P302 CC:\*Dly ->\*Rev**  
**EA:601 \*Dual Delays EB:714 \*Joe's B&G**

Advance the Soft knob parameter, and the Machine A effect gets longer, and the reverb effect gets bigger. If you modify BMIX, after advancing the Soft knob parameter, an even more distant echo effect can occur. Yeah, go ahead, give it a try!!!!

**MchA EA:601 \*Dual Delays** Baseline effect with the Soft knob patched to the last two delay lines in the signal path. Advancing the Soft knob parameter will cause the two post-delays to move in sync out to almost 3000ms.

**MchB EB:714 \*Joe's B&G-** Live performances in Joe's 14.6M bar. Turn the Soft knob and the room size grows into a Bar and Grill.



**P303 CC:Rev->Pch**  
**EA:707 "U"Chamber EB:802 Guit Shift**

This preset runs 70% of a reverb effect into a pitch shift program. The remaining 30% of the reverb effect bypasses the pitch shifter, and appears at the stereo output. Modify BMIX to some lesser value if you want to bypass some of the reverb around the pitch shifter. If BMIX is set to all wet, the reverb will be mono (because the algorithm is mono in-mono out).

**Mcha EA:707 "U" Chamber** This preset is shaped liked an upside down "U" with the speaker on top of the wall and a microphone on either side of the wall.

**MchB EB:802 Guitar Shift** This preset offers a moderate amount of micropitch shift(-14c), along with a small amount of recirculating predelay. In this preset, it's more like a reverb pitch-shift.

**P304 CC:Pch->Rev**  
**EA:804 Sky Down EB:703 Drum Chamber**

This Setup links a tunneling-downward pitch program into a great sounding reverb. Play around with BMIX for a different kind of effect.

**MchA EA:804 Sky Down** This preset tunnels downward due to the liberal amount of delay feedback. If the effect is too heavy, lower the feedback amount.

**MchB EB:703 Drum Chamber** Good starting point for acoustic drums. This preset is slightly larger than the standard chamber, but has less Diffusion. Rt is set to 1.0 second at mid frequencies.

**P305 CC:Rev->Comp**  
**EA:705 Guitar Room EB:901 EZ Comp 2:1**

This preset changes the dynamics of the Guitar Room effect preset. If you play around with the compressor preset, you can, no doubt, get some strange effects.

**MchA EA:705 Guitar Room** This is a big, wide-sounding room for your guitars. For heavy rock stuff, consider panning "in" the returns. The room is a little bottom heavy for additional warmth.

**MchB EB:901 EZ Comp 2:1** A nice preset to add to an overall mix. You may need to adjust Threshold to make it work for the particular signal you're feeding it. Release is set to gently fall away after 363ms.

**P306 CC:Comp->Rev**  
**EA:902 Drum Comp 3:1 EB:709 Basement**

Squash it up a little before they (the drums) go into the Basement.

**MchA EA:902 DrumComp 3:1** This is a bit more aggressive, with 7dB of boost below the selected threshold. A quick release of 58ms snaps up the volume. As with all compressor presets, Threshold is the critical parameter.

**MchB EB:709 Basement** Tight and short. Room size 15.8 meters, and the tonality is fairly resonant sounding. Almost trashy-sounding (low diffusion), and will certainly get so if the Rt is made longer.

**P307 CC:Dly->Pch**  
**EA:609 Chorus EB:801 Mono Shift**

This preset combines a stereo chorus passing into a mono shift program. Go to Machine B Effect Edit and modify the Glide Pitch (GLD) parameter. If you want to open the stereo chorus effect, reduce BMIX so that some of the Chorus program passes by the Mono Shift program. The LFO is set moderately fast, to 2.14Hz, with a Triangle shape.

**MchA EA:609 Chorus** This preset makes use of a small variation in the glide delay to modulate the sound. The glide moves between 9.7ms and 11.8ms. Advancing the LFO to values near 1.50Hz to 2.0 Hz yields a nice chorusing effect. There are no other delay lines, but the output lines are channel-swapped such that the left input passes to the right output, and vice-versa. (In a Dual Mono Setup, of course, this is inaudible.)

**MchB EB:801 Mono Shift** Baseline mono shift program with no pitch shift. Go to the glide parameter (GLD) in Effect Edit mode to select the amount of pitch shifting you want.

**P308 CC:Pch->\*Dly**  
**EA:810 Vocal Shift EB:603 \*PingoPongo**

This is a very interesting detuned left/right delay effect. The Soft knob parameter controls the timing of the bouncing delays. The stored value of the Soft knob parameter is 16.

**MchA EA:810 Vocal Shift** This preset combines a short delay line recirculating around a -7 cent pitch shifter.

**MchB EB:603 \*Pingo Pongo** Ping Pong delays bouncing back and forth. The Soft knob controls the timing of the bounce.

**P309 CC:\*Dly->Comp**  
**EA:604 \*3Voice Dly EB:901 EZ Comp 2:1**

The Soft knob controls the timing relationships of the delay settings in the Machine A effect. The Soft knob parameter is stored with a value of 31.

**MchA EA:604 \*3Voice Dlys** Two taps (Delays 3 and 4) are set with delay ratios of 1:2, meaning that, when one is 200ms, the other is 400ms, or when one is 359, the other is 718ms. This relationship is patched to the Soft knob in Setup Select.

**MchB EB:901 EZ Comp 2:1** A nice preset to add to an overall mix. You may need to adjust the Threshold parameter to make it work for the particular signal you're feeding it. Release is set to gently fall away after 363ms.

**P310 CC:Comp->\*Dly**  
**EA:901 EZ Comp 2:1 EB:613\*Wall Slaps**

This effect places a soft compressor ahead of Machine B, which is running a delay program. The Soft knob value is set to 20 when the setup is selected.

**MchA EA:901 EZ Comp 2:1** A "soft" preset to add to an overall mix. You may need to adjust the Threshold parameter to make it work for the particular signal you're feeding it. Release is set to gently fall away after 363ms.

**MchB EB:613\*Wall Slaps** Walls tied to the Soft knob move outward. A small amount of diffusion to smear the attack.

**P311 CC:Pch->Comp**  
**EA:802 Guit Shift EB:901 EZ Comp 2:1**

This preset combines a guitar shift effect going into an “easy” compressor effect. The LFO controls the Glide Shift parameter (GLD) in Machine A. The LFO rate is set to 0.16Hz with a sine waveform.

**MchA EA:802 Guitar Shift** This preset offers a heavy amount of micropitch shift (-21c), along with a small amount of recirculating predelay. Raunchy sounding on “beefy” guitars.

**MchB EB:901 EZ Comp 2:1** A nice preset to add to an overall mix. You may need to adjust the Threshold parameter to make it work for the particular signal you’re feeding it. Release is set to gently fall away after 363ms. If you’re using this with a guitar, you might want to grab the SLP (slope) control and increase the value.

**P312 CC:\*SurrVerb**  
**EA:720 Recital Hall EB:010 \*Small St. Adj**

Machine B (Small Stereo Adjust) has three Soft knob patches which control the spacial placement of the source audio — in this case, the output of the reverb effect. In a surround mixing environment, advancing the Soft knob parameter will place more of the reverb into the surround channel — assuming the returns of the 300 are panned hard left and right at the console.

**MchA EA:720 Recital Hall** This medium large (44.5M) space opens sound sources beautifully. Made for string pads and voice.

**MchB EB:010 \*Small St.Adj** This preset is a cut down version of the larger Stereo Adjust program available in Single Setups. This particular preset has the Soft knob patched to three parameters: Spatial EQ (SPEQ), Bass Left (BASL), and Bass Right (BASR) boosts and cuts.

**P313 CC:\*V3Comp**  
**EA:010 \*Small St Adj EB:901 EZ Comp 2:1**

This is a straight ahead stereo compressor setup. Use it in a mix insert point or pre-fade send.

**MchA EA:010 \*Small St.Adj** This preset is a cut down version of the larger Stereo Adjust program available in Single Setups. This particular preset has the Soft knob patched to three parameters: Spatial EQ (SPEQ), Bass Left (BASL), and Bass Right (BASR) boosts and cuts.

**MchB EB:901 EZ Comp 2:1** A soft and easy preset to add to an overall mix. You may need to adjust the Threshold parameter to make it work for the particular signal you’re feeding it. Release is set to gently fall away after 363ms.

**P314 CC:V3Chamber**  
**EA:701 Chamber EB:001 PONS+Dither**

This preset is a reverb ahead of the dither program. The reverb is essentially untouched as it passes through Machine B. Remember, the chamber algorithm is actually mono in, stereo out.

**MchA EA:701 Chamber** A great general purpose reverb tail. Size is set to 28.1M (the largest value is 64M), so the density is rather close in. As you adjust Size, Rt will also change. If you want to unlink this natural phenomena, set LINK to Unlink (on Page Two).

**MchB EB:001PONS / Dither** This preset has dither turned on and set to PONS (Psycoacoustically Optimized Noise Shaping), with level of 32. Experiments have shown this to be an optimum starting level of dither.

**P315 CC:\*SpaceOut**  
**EA:711 \*Great Room EB:604 \*3Voice Dllys**

This preset loads two effects, both of which have Soft knob parameterpatches. The Soft knob parameter has a Setup value of 18. AMIX is set to 37%, so that much of the dry signal bypasses the reverb preset and passes through to the delay effect. If you want to increase the amount of reverb going into the delay effect, locate the AMIX Setup parameter and increase it.

**MchA EA:711 \*Great Room**

The Soft knob parameter advances Predelay and Spread to open the room up nearly to hall proportions. Bass multiply (BASS) is set to 2.0X to round out the bottom end.

**MchB EB:604 \*3Voice Dllys**

Two taps (Delays 3 and 4 ) are set with delay ratios of 1:2, meaning that, when one is 200ms, the other is 400ms, or when one is 359, the other is 718ms. This relationship is patched to the Soft knob parameter in Setup Select mode.

**P316 CC:\*JetVerb**  
**EA:712 \*Great Hall EB:616 NegativeFIng**

Take off!!! The long reverb in Machine A (which can be made longer by advancing the Soft knob parameter) passes into a flange driven by 0.14Hz triangle LFO.

**MchA EA:712 \*Great Hall** The largest room size yet at 64meters. Similar to Great Room, with Spread and Predelay patched to the Soft knob, with the addition of reverb time also patched. Dig Deep!!

**MchB EB:616 NegativeFIng** This is a really stiff flange which goes almost 20ms deep. Flange gain is set extremely negative, so the sound is tunnel-like.

**P317 CC:BigBricks**  
**EA:713 Big Bricks EB:902 Drum Comp 3:1**

This Setup really enunciates the Big Bricks preset. 100% of the reverb in Machine A preset feeds into the compressor in Machine B.

**MchA EA:713 Big Bricks** Real "ratchety" sounding effect. Powerful for non-linear applications.

**MchB EB:902 DrumComp 3:1** This preset amplifies Big Bricks, with 7dB of boost below the selected Threshold. A quick release of 58ms snaps up the volume. As with all compressor presets, Threshold is the critical parameter.

**P318 CC:Rev->EKOz**  
**EA:710 Big Hall EB:612 Chorus+EKOz**

This is a beautiful long lasting effect. Half (50% AMIX) of the input signal passes around Big Hall and feeds directly to the Chorus and EKOz effect in Machine B. If you need a pristine effect for a pristine track, this is it!! The LFO is set moderately high with a rate of 2.92Hz (sine wave). You may want to slow it down if the glide is too much.

**MchA EA:710 Big Hall** Big and open sounding. The 44ms of Predelay helps to separate the stage from the seating area. Real good sounding on ballad vocals.

**MchB EB:612 Chorus+EKOz** Chorus+EKOz makes use of the flange gliding delay under the control of the Setup LFO plus several recurring long echoes.

**P319 CC:Rev->Korus**  
**EA:706 Big & Short EB:609 Chorus**

This Setup is a variation of the one above, except that it's a shorter "close in" effect. There is also a different twist to this Setup preset — L-Meter ballistics are patched to the AMIX Setup parameter. As the signal becomes stronger, AMIX becomes progressively dryer, allowing more of the input signal to pass directly into the chorus effect. The LFO is set to 1.98Hz with a triangle waveform. It controls the speed of the Glide in Machine B.

**MchA EA:706 Big & Short** This reverb effect is short, almost gated. Big room size set to 54.6M, and Rt set to 0.3 seconds. This preset really "opens up a sparse track."

**MchB EB:609 Chorus** This preset makes use of a small variation in the glide delay to modulate the sound. The glide moves between 9.7ms and 11.8ms. Advancing the LFO to values near 1.50Hz to 2.0 Hz yields a nice chorusing effect. There are no other delay lines, but the output lines are channel-swapped such that the left input passes to the right output, and vice-versa.

**P320 CC:Over!Top**  
**EA:605 OverTheTop1 EB:606 OverTheTop2**

Use pre-fade. One flanger feeds the next. Very heavy duty. The input gain to the Setup is set to -4dB. This is to compensate for the heavy amount of flange gain in both Machines. Since the LFO is in the setup domain, it drives both flange glide delays in each Machine. *!Remember the outputs of OverThe Top2 are reversed, so don't drive yourself crazy trying to find reversed patch cords!*

**MchA EA:605 OverTheTop1** This preset should be used pretty much through the box, i.e. patched to the LFO. When properly modulated, the flange delay glides between 9.5ms and 18.7ms. The base delays are set to 10ms with a positive feedback gain. Over the top cancellation occurs as the glide delay passes *over* the 10ms base delay.

**MchB EB:606 OverTheTop2**

Similar to OverTheTop1, except the flange delay glides between 0.08 ms and 10.7ms. This flange delay is patched to the LFO. Base delays are set to 10ms with a negative amplifier gain. Over the top cancellation occurs as the glide delay passes *over* the 10ms base delay. *The channel outputs are reversed such that the left input will pass through to the right output and vice-versa.*

**P321 CC:GuitarXP**  
**EA:611 LFO:Pan&Faze EB:607 LFO:Faze Dllys**

GuitarXP incorporates a left/right panning effect in Machine A into a modulating glide effect with added delays. The LFO (set to 0.20Hz with a triangle waveform) ties it all together. Here're some suggestions: add some extra LDLY (Left delay) and RDLY (Right delay) to Machine B in Effect Edit. Go back to Setup Edit, and reduce BMIX to less than the preset 100% — say, to something like 45%, find the Cascade feedback parameter and add a *small* amount of feedback gain, either positive or negative, then store it all in a Setup Register.

**MchA EA:611 LFO:Pan&Faze** This cool wavy preset should be run pre-fader with the Setup LFO at about .20Hz. With a mono or stereosignal attached to both inputs, the acoustic effect is a slow rotation in phase. Thank goodness for CD's. No record cutting lathe could handle this one. Clean compressed guitars are the best here.

**MchB EB:607 LFO:FazeDllys** Faze Dllys makes use of the LFO patched to the Flange Glide Delay(FDLY). The base delays are set in different time domains: one side at 1.9ms with a feedforward gain; the other at 5.6 with a negative feed gain. As the Glide passes over each base delay, the phase of each gain is changed. In between, the output is a mixture of each. A great effect on a ripping guitar solo.

**P322 CC:\*EKO->Faze**  
**EA:805 Env\*EKOShift EB:608 Env:Phazer**

This pitch into Gliding delay Setup is great for the "rockers". Use the Soft knob parameter to set the timing of the echoes in Machine A.

**MchA EA:805 Env\*EKOShift** The Soft knob parameter controls the delay line length, and the L-Meter is negatively patched to the feedback (FBK) parameter so that, when signal is present, delay feedback is reduced; when the signal disappears, feedback is increased. This is a very interesting effect when the echo fits the beat of the music.

**MchB EB:608 Env:Phazer** This preset makes use of a patch between the envelope detector in the meters and the flange glide delay. As signal becomes stronger, the glide delay drops in the time domain, eventually crossing the 5.2ms base delays. As audio signal strength lessens, the glide returns to its preset value of 10ms. Very good on vocals. To make this effect work properly, be sure to drive the 300 to within 12dB of full scale (dBfs).

**P323 CC: Verb->Down**  
**EA:720 Recital Hall EB:806 Echo Down**

This cascade preset has the net effect of a stereo reverb field followed by delayed mono pitch shift which recirculates downward... in pitch. BMIX is set with a relatively low value of 38%. This means that most of the effect at the main output is the reverb effect from Machine A. If you increase BMIX, more of the reverb will pass directly into the mono shift program. Bear in mind, this will cause the reverb to become more mono.

**MchA EA:720 Recital Hall** This medium large (44.5M) space opens sound sources beautifully. Made for string pads and voice.

**MchB EB:806 Echo Down** 14 cents down with a 258ms recirculating delay line. In this setup, the reverb echoes downward in pitch into the middle of the mix field ...Very Interesting.

**P324 CC:\*The Sky**  
**EA:804 Sky Down EB:610 \*Sky Delays**

This setup's got a little bit of everything. A downward flanging pitch shifter cascading into a dual delay preset with many recirculating delay clusters. The Soft knob parameter is patched to the left and right delays (LDLY and RDLY). This Setup also incorporates cascade feedback set to -36%. Don't try to add too much more, you might take off your head. This is definitely a WOWIEE!!- ZOWIEEEE!!! effect. The Soft knob parameter, which is stored with a value of 28, is patched to LDLY and RDLY in Machine B.

**MchA EA:804 Sky Down** This preset tunnels downward due to the liberal amount of delay feedback. If the effect is too heavy, lower the feedback.

**MchB EB:610 \*Sky Delays** This preset combines a bit of giding delay along with all sets of delays. Delays 1 and 2 are set short with feedback and "tuned" diffusion gains. Delays 3 and 4 are also set short and crossfeed into 2 and 1, respectively. There is a small amount of post delay (LDLY and RDLY), and these two post echoes are patched to the Soft knob. Use the Soft knob parameter to adjust the post delays to match the tempo. By itself, \*Sky Delays is sort of a chorused cluster echo. Very similar to a bright resonant small room. Beautiful effect on stacked vocals. If you use this preset in a Cascade setup which has a small amount of Machine B feedback, the chorus will trail itself up and down in pitch. A very interesting twist. *IBe CAREFUL. Do not use too much feedback ,as a runaway feedback situaton may occur.*

**P325 CC:Spinola**  
**EA:609Chorus EB:011Panola**

This is a sort of "retro" sounding audio effect. The Chorus preset passes into the fast panning Panola effect. Mix post-fader. Kind of like a rotating speaker — only different. The LFO is set to 8.00Hz, with a sine waveform.

**MchA EA:609Chorus** This preset makes use of a small variation in the glide delay to modulate the sound. The glide moves between 9.7 and 11.8ms. If the LFO is advanced to values near 1.50Hz to 2.0Hz, a nice chorusing effect is achieved. There are no other delay lines, but the output lines are channel swapped such that the left input passes to the right output and vice-versa.

**MchB EB:011Panola** This preset is a stereo adjust program with the Balance set to full left. The Balance parameter is patched to the LFO. If loaded into a Setup which has the LFO running, Panola will cause the audio to move between the left and right speakers.

**Split Setup Effect Descriptions** For your reference, all of the presets effects available in the split mode are listed and described below, in numerical order.

EP #	Name	Algorithm	Description
601	*Dual Delays	Dual Delays	Baseline effect with the Soft knob patched to the last two delay lines in the signal path. Advancing the Soft knob parameter will cause the two post-delays to move in sync out to more than 2200ms.
602	Space Delays	Dual Delays	This preset incorporates a bit of left-right diffused delay along with some small delay offset between left and right delay outputs. If the effect is too strong you could try turning back the feedback levels for Delays 3 and 4.
603	*Pingo Pongo	Dual Delays	Ping - Pong delays bouncing back and forth. The Soft knob parameter controls the timing of the bounce.
604	*3Voice Dlys	Dual Delays	Two taps (Delay 3 and 4 ) are set with delay ratios of 1:2 — meaning when one is 200ms the other is 400ms, or when one is 359 the other is 718ms. This relationship is patched to the Soft knob.
605	OverTheTop1	Dual Delays	This preset should be used pretty much through the box, i.e. send it a pre-fader signal then mix only the returns. Flange Delay is patched to the LFO. When properly modulated, the flange delay glides between 9.5 and 18.7ms. The base delays are set to 10ms with a positive feedback gain. Over the top cancellation occurs as the glide delay passes over the 10ms base delay. Remember, the LFO is part of the Setup, so if you load the effect into a Setup where there is no LFO activity, the preset will sound “hollow” and resonant!
606	OverTheTop2	Dual Delays	Similar to OverTheTop1 except the flange delay glides between 0.08 and 10.7ms. Flange Delay is patched to the LFO. The base delays are set to 10ms with a negative amplifier gain. Over the top cancellation occurs as the glide delay passes over the 10ms base delay. The channel outputs are reversed such that the left input will pass through to the right output and vice-versa. Remember, the LFO is part of the Setup, so if you load the effect into a Setup where there is no LFO activity, the preset will sound “hollow” and resonant!
607	LFO:FazeDlys	Dual Delays	Faze Dlys also makes use of the LFO again to the Flange Glide Delay (FGLD). The base delays are set in different time domains; one side at 1.9ms with a feedforward gain and the other at 5.6 with a negative feed gain. As the glide passes over each base delay the phase of each gain is changed and in between the output is a mixture of each. A great effect on a ripping guitar solo.
608	Env:Phazer	Dual Delays	This preset makes use of a patch between the envelope detector in the meters and the Flange Glide Delay. As signal becomes stronger the glide delay drops in time domain eventually crossing the 5.2 ms base delays. As audio signal strength lessens the glide returns to its preset value of 10ms. Very good on vocals. To make this effect work properly be sure to drive the 300 to within 12dB of full scale (dBfs).



609	Chorus	Dual Delays	This preset makes use of a small variation in the glide delay to modulate the sound. The glide moves between 9.7 and 11.8ms. If the LFO is advanced to values near 1.50Hz to 2.0 Hz, a nice chorusing effect is achieved. There are no other delay lines, but the output lines are channel swapped such that the left input passes to the right output and vice-versa.
610	*Sky Delays	Dual Delays	This preset combines a bit of gliding delay along with all sets of delays. Delays 1 and 2 are set short with feedback and "tuned" diffusion gains. Delays 3 and 4 are also set short and crossfeed into 2 and 1 respectively. There is a small amount of post delay (LDLY and RDLY) and these two post echoes are patched to the Soft knob. Use the Soft knob parameter to adjust the post delays to match the tempo. By itself, *Sky Delays is sort of a chorused cluster echo. Very similar to a bright resonant small room. Beautiful effect on stacked vocals. If you use this preset in a cascade setup which has some small amount of Machine B feedback, the chorus will trail itself up and down in pitch. Very interesting twist. Be careful not to use too much feedback to avoid runaway feedback.
611	LFO:Pan&Faze	Dual Delays	This cool wavy preset runs pre-fader with the Setup LFO at about 20Hz LFO drifts back and forth with a stereo signal attached to it. With a mono signal attached to both inputs, the acoustic effect is a slow rotation in phase. Thank goodness for CD's. No record cutting lathe could handle this one. Clean compressed guitars are the best here.
612	Chorus+EKOz	Dual Delays	This preset makes use of a gliding delay and several recurring echoes.
613	*Wall Slaps	Dual Delays	Walls tied to the Soft knob parameter move outward. A small amount of diffusion to smear the attack.
614	Env:Peak	Dual Delays	This preset is similar to an OverTheTop type effect, except the flange delay is patched to the meter ballistics.
615	NegativeFIng	Dual Delays	This is a really stiff flange, which goes almost 20ms deep. Flange gain is set extremely negative, so the sound is tunnel-like.

EP #	Name	Algorithm	Description
701	Chamber	Split Chamber	A great general purpose reverb tail. The size is set to 28.1M (the largest value is 64M) so the density is rather close in. As you adjust size the Rt value will also change. If you want to unlink this natural phenomena, you can set the link value to unlink.
702	Key Chamber	Split Chamber	A nice "bloomy"-sounding reverb. The diffusion is set midway so there is some good articulation at the beginning of the reverb envelope. Use this on most keyboards but those with a strong point may require a bit more diffusion.
703	Drum Chamber	Split Chamber	Good starting point for acoustic drums. This preset is slightly larger than the standard chamber but has less diffusion. RT is set to 1.0 second at mid frequencies.
704	Drum Plate	Split Chamber	Tight and diffuse with all the "ring" you could possibly want.
705	Guitar Room	Split Chamber	This is a big wide sounding room for your guitars. For the heavy rock stuff you might consider panning "in" the returns. The room is a little bottom heavy for additional warmth. Could also work well on vocals.
706	Big & Short	Split Chamber	This reverb effect is sort of gated. Big room size set to 54.6 meters and RT set to 0.3 seconds. This preset really "opens up" a sparse track.
707	"U" Chamber	Split Chamber	This preset is shaped liked an upside down "U" with the speaker on top of the wall and a microphone on either side of the wall.
708	"L" Chamber	Split Chamber	"L" Chamber mimics the shape of a chamber by that letter. One side is shorter than the other with the speaker closer to one side. A little bigger than the "U" chamber.
709	Basement	Split Chamber	Tight and short. The room size 15.8 meters and the tonality is fairly resonant sounding. Almost trashy sounding (low diffusion) and will certainly get so if the RT is made longer.
710	Big Hall	Split Chamber	Big and open sounding. The 44ms of predelay help to separate the stage from the seating area. Real good sounding on ballad vocals.
711	*Great Room	Split Chamber	The Soft knob parameter advances the Predelay and spreads to open the room up almost to hall proportions. Bass multiply is set to 2.0X to round out the bottom end.
712	*Great Hall	Split Chamber	The largest room size yet at 64meters. Similar to Great Room with Spread and Predelay patched to the Soft knob with RT also patched. Dig Deep!!
713	Big Bricks	Split Chamber	Real "ratchety"-sounding effect. Powerful effect for non-line applications.
714	Joe's B&G	Split Chamber	Live performances in Joe's 14.6M Bar. Advance the Soft knob parameter and the room size grows into a Bar and Grill.
715	Joe's Garage	Split Chamber	Two bays, no waiting. Small and bright.
716	Sizzle City	Split Chamber	Small and long type Plate. Very metallic reverb effect Great for cheap cymbals.

717	*Drum Rooms	Split Chamber	Deep and narrow in shape. The Soft knob parameter makes the room “shallower” and gated-sounding.
718	*BigBathroom	Split Chamber	Bright and clean. Generic WC. Great for solo stuff. or for adding liveness to a track. Soft knob draws out the Reverb Time.
719	*Delay Room	Split Chamber	This preset offers a nice room reference. The Soft knob parameter is patched to Predelay. Use this to make a bounce off the back wall effect without changing the Reverb Time.
720	Recital Hall	Split Chamber	This medium large (44.5M) space opens sound sources beautifully. Made for string pads and voice.

EP #	Name	Algorithm	Description
801	Mono Shift	Mono Pch Shift	Baseline program with no pitch shift. Go to the glide parameter (GLD) in the Effect Edit mode to dial up the amount of pitch shifting you want.
802	Guitar Shift	Mono Pch Shift	This preset offers a heavy amount of micropitch shift(-21c) along with a small amount of recirculating predelay. Raunchy sounding on the “beefy” guitars.
803	*Up Shift	Mono Pch Shift	Up Shift is a sweet sounding microshift up +7cents. There is a slight “chorus edge” due to a modest amount feedback around a 0ms delay line. The Soft knob parameter controls the delay line length.
804	Sky Down	Mono Pch Shift	This preset is tunnels downward due to the liberal amount of delay feedback. If the effect is too heavy, dial back the feedback amount.
805	Env*EKOShift	Mono Pch Shift	The Soft knob parameter controls the delay line length and the L-Meter is negatively patched to the feedback (FBK) parameter such that when signal is present delay feedback is reduced, but when the signal disappears, the feedback is increased. This is a very interesting effect when the echo fits the beat of the music.
806	Echo Down	Mono Pch Shift	14 cents down with a 258ms recirculating delay line. This effect works great either before or after a Reverb preset.
807	HalfStepsUp	Mono Pch Shift	Just what you would think.....
808	HalfStepsDn	Mono Pch Shift	Ditto....
809	Octave Down	Mono Pch Shift	Sounds good and deep.
810	Vocal Shift	Mono Pch Shift	This preset combines a short delay line recirculating around a -7 cent pitch shifter.

EP #	Name	Algorithm	Description
901	EZ Comp 2:1	Compressor	A nice preset to add to an overall mix. You might need to adjust the threshold parameter to make it work for the particular signal you feed it. The release parameter is set to gently fall away after 363ms.
902	DrumComp 3:1	Compressor	This is a bit more aggressive with 7dB of boost below average selected threshold. A quick release of 58ms snaps up the volume. As is the case with all compressor presets, the threshold is the critical parameter.

EP #	Name	Algorithm	Description
001	PONS / Dither	PONS	This preset has dither turned on and set to PONS with a level of 32. Experiments have shown this to be an optimum starting level of dither.

EP #	Name	Algorithm	Description
010	*Small St.Adj	Small Stereo Adj	This preset is cut-down version of the larger stereo adjust program in Single Setups. This particular preset has the Soft knob patched to three parameters: Spatial EQ (SPEQ), Bass Left (BASL), and Bass Right (BASR) boosts and cuts. As you advance the Soft knob parameter, the stereo image should move outward, beyond the boundaries of the left and right speakers.
011	Panola	Small Stereo Adj	This preset is a stereo adjust program with the Balance set to full left. The Balance parameter is patched to the LFO. If loaded into a Setup which has the LFO running, Panola will cause the audio to move between the left and right speakers.

## Effect Preset Parameters

### Effect Presets Using the Random Hall Algorithm

<b>P101 Large Hall</b>			
RTIM	SIZE	ROLL	PDLY
2.0s	37.1M	0.9k	0m
RLVL	TDCY	BASS	XOVR
full	3.6k	1.2X	0.2k
SPIN	WAND	SHAP	SPRD
38	10.1m	120	157
DIFF	LINK	SHLF	SIZE
65	link	-6dB	37.1M
DLY1	DLY2	RTIM	-
14m	20m	2.03s	-
LVL1	LVL2	RLVL	-
off	off	full	-
DLY3	FBK3	DLY4	FBK4
40m	0%	48m	0%
LVL3	-	LVL4	-
off	-	off	-

<b>P102 Medium Hall</b>			
RTIM	SIZE	ROLL	PDLY
1.7s	29.3M	1.0k	0m
RLVL	TDCY	BASS	XOVR
full	4.4k	1.2X	0.2k
SPIN	WAND	SHAP	SPRD
33	8016u	100	97
DIFF	LINK	SHLF	SIZE
68	link	-6dB	29.3M
DLY1	DLY2	RTIM	-
14m	20m	1.7s	-
LVL1	LVL2	RLVL	-
off	off	full	-
DLY3	FBK3	DLY4	FBK4
40m	0%	48m	0%
LVL3	-	LVL4	-
off	-	off	-

<b>P103 Small Hall</b>			
RTIM	SIZE	ROLL	PDLY
1.1s	23.6M	1.3k	0m
RLVL	TDCY	BASS	XOVR
full	5.5k	1.2X	0.2k
SPIN	WAND	SHAP	SPRD
28	6762u	70	64
DIFF	LINK	SHLF	SIZE
65	link	-6dB	23.6M
DLY1	DLY2	RTIM	-
8m	18m	1.1s	-
LVL1	LVL2	RLVL	-
off	off	full	-
DLY3	FBK3	DLY4	FBK4
44m	0%	34m	0%
LVL3	-	LVL4	-
off	-	off	-

<b>P104 *Church</b>			
RTIM	SIZE	ROLL	PDLY
4.0s	38.8M	4.0k	36m
RLVL	TDCY	BASS	XOVR
full	2.9k	1.5X	0.9k
SPIN	WAND	SHAP	SPRD
40	10.1	82	226
DIFF	LINK	SHLF	SIZE
70	link	off	38.8M
DLY1	DLY2	RTIM	-
32m	26m	4.0s	-
LVL1	LVL2	RLVL	-
-8dB	-7dB	full	-
DLY3	FBK3	DLY4	FBK4
374m	12%	462m	12%
LVL3	-	LVL4	-
-14dB	-	-18dB	-

**MOD EDIT**  
SOURCE: SOFTKNOB

DEST	SCALE
<i>Size</i>	-49%
<i>TDCY</i>	--30%
<i>LVL3</i>	-14%
<i>LVL4</i>	-10%

<b>P105 *Rooms</b>			
RTIM	SIZE	ROLL	PDLY
0.7s	19.1M	6.6k	0m
RLVL	TDCY	BASS	XOVR
full	3.6k	1.2X	0.5k
SPIN	WAND	SHAP	SPRD
38	6258u	52	82
DIFF	LINK	SHLF	SIZE
65	link	off	19.1M
DLY1	DLY2	RTIM	-
10m	20m	0.7s	-
LVL1	LVL2	RLVL	-
-12dB	-10dB	full	-
DLY3	FBK3	DLY4	FBK4
40m	0%	48m	0%
LVL3	-	LVL4	-
off	-	off	-

**MOD EDIT**  
SOURCE: SOFTKNOB

DEST	SCALE
<i>Size</i>	-25%

<b>P106 RehursalRoom</b>			
RTIM	SIZE	ROLL	PDLY
1.3s	15.2M	5.1k	0m
RLVL	TDCY	BASS	XOVR
full	4.4k	0.4X	2.4k
SPIN	WAND	SHAP	SPRD
0	0u	124	65
DIFF	LINK	SHLF	SIZE
98	link	off-	15.2M
DLY1	DLY2	RTIM	-
56m	60m	1.3s	-
LVL1	LVL2	RLVL	-
off	off	-4dB	-
DLY3	FBK3	DLY4	FBK4
0m	0%	0m	0%
LVL3	-	LVL4	-
off	-	-10dB	-

**MOD EDIT**  
SOURCE: SOFTKNOB

DEST	SCALE
<i>PDLY</i>	+2.4%
<i>SPRD</i>	-63%
<i>SHAP</i>	-24%
<i>TDCY</i>	+16%

<b>P107 *Chamber</b>			
RTIM	SIZE	ROLL	PDLY
1.3s	25.3M	3.4k	2m
RLVL	TDCY	BASS	XOVR
full	4.4k	1.5X	0.4k
SPIN	WAND	SHAP	SPRD
34	6258u	67	95
DIFF	LINK	SHLF	SIZE
79	link	off	25.3M
DLY1	DLY2	RTIM	-
8m	20m	1.3s	-
LVL1	LVL2	RLVL	-
-7dB	-7dB	full	-
DLY3	FBK3	DLY4	FBK4
40m	0%	48m	0%
LVL3	-	LVL4	-
off	-	off	-

**MOD EDIT**  
SOURCE: SOFTKNOB

DEST	SCALE
<i>Size</i>	-30%

**Effect Presets Using the Random Hall Algorithm, Cont'd.**

<b>P108 LiveDrumRoom</b>			
RTIM	SIZE	ROLL	PDLY
1.0s	18.6M	8.2k	0m
RLVL	TDCY	BASS	XOVR
full	7.5k	0.8X	26.5k
SPIN	WAND	SHAP	SPRD
34	11348u	168	11
DIFF	LINK	SHLF	SIZE
18	link	off-	18.6M
DLY1	DLY2	RTIM	-
14m	20m	1.0s	-
LVL1	LVL2	RLVL	-
off	off	full	-
DLY3	FBK3	DLY4	FBK4
40m	0%	48m	0%
LVL3	-	LVL4	-
off	-	off	-
<b>MOD EDIT</b>			
SOURCE: SOFTKNOB			
DEST	SCALE		
Size	11%		
Roll	11%		
PDLY	0.8%		

<b>P110 * Studio B</b>			
RTIM	SIZE	ROLL	PDLY
0.6s	16.9M	5.5k	4m
RLVL	TDCY	BASS	XOVR
-2dB	4.4k	1.2X	1.0k
SPIN	WAND	SHAP	SPRD
34	2562u	75	87
DIFF	LINK	SHLF-	SIZE
57	link	off	16.9M
DLY1	DLY2	RTIM	-
18m	12m	0.6s	-
LVL1	LVL2	RLVL	-
-10dB	-10dB	-2dB	-
DLY3	FBK3	DLY4	FBK4
14m	0%	28m	0%
LVL3	-	LVL4	-
off	-	off	-
<b>MOD EDIT</b>			
SOURCE: SOFTKNOB			
DEST	SCALE		
1 LVL3	94%		
2 LVL4	94%		

<b>P112 *Deep End</b>			
RTIM	SIZE	ROLL	PDLY
2.4s	29.3M	4.0k	20m
RLVL	TDCY	BASS	XOVR
full	4.4k	2.0X	0.5k
SPIN	WAND	SHAP	SPRD
37	5922u	141	137
DIFF	LINK	SHLF	SIZE
67	unlk	off	29.3M
DLY1	DLY2	RTIM	-
76m	50m	2.4s	-
LVL1	LVL2	RLVL	-
-1dB	-2dB	full	-
DLY3	FBK3	DLY4	FBK4
612m	18%	600m	18%
LVL3	-	LVL4	-
-14dB	-	-14dB	-
<b>MOD EDIT</b>			
SOURCE: SOFTKNOB			
DEST	SCALE		
1 Size	-27%		
2 Dly3	-19%		
3 Dly4	-18%		
4 RTIM	-41%		

<b>P109 * Studio A</b>			
RTIM	SIZE	ROLL	PDLY
0.5s	24.8M	4.6k	14m
RLVL	TDCY	BASS	XOVR
full	5.5k	1.2X	1.0k
SPIN	WAND	SHAP	SPRD
25	4914u	95	120
DIFF	LINK	SHLF-	SIZE
86	link	off	24.8M
DLY1	DLY2	RTIM	-
18m	6m	0.5s	-
LVL1	LVL2	RLVL	-
-6dB	-8dB	full	-
DLY3	FBK3	DLY4	FBK4
38m	0%	20m	0%
LVL3	-	LVL4	-
Off	-	off	-
<b>MOD EDIT</b>			
SOURCE: SOFTKNOB			
DEST	SCALE		
1 LVL3	94%		
2 LVL4	94%		
3 Roll	22%		
4 TDCY	19%		

<b>P111 * Brick Wall</b>			
RTIM	SIZE	ROLL	PDLY
0.2s	27.0M	10.1k	6m
RLVL	TDCY	BASS	XOVR
full	15.9k	3.0X	1.9k
SPIN	WAND	SHAP	SPRD
45	210u	255	16
DIFF	LINK	SHLF	SIZE
31	unlk	off	27.0M
DLY1	DLY2	RTIM	-
38m	66m	0.2s	-
LVL1	LVL2	RLVL	-
-3dB	-3dB	full	-
DLY3	FBK3	DLY4	FBK4
50m	0%	64m	0%
LVL3	-	LVL4	-
-3dB	-	-3dB	-
<b>MOD EDIT</b>			
SOURCE: SOFTKNOB			
DEST	SCALE		
Size	-21%		

<b>P113 Oil Tanker</b>			
RTIM	SIZE	ROLL	PDLY
1.6s	12.4M	2.9k	14m
RLVL	TDCY	BASS	XOVR
full	4.4k	2.0X	0.5k
SPIN	WAND	SHAP	SPRD
33	1890u	141	108
DIFF	LINK	SHLF	SIZE
92	Unlink	off	12.4M
DLY1	DLY2	RTIM	-
28m	12m	1.6s	-
LVL1	LVL2	RLVL	-
-1dB	-2dB	full	-
DLY3	FBK3	DLY4	FBK4
62m	12%	54m	12%
LVL3	-	LVL4	-
-3dB	-	-3dB	-

**Effect Presets Using the Random Hall Algorithm, Cont'd.**

<b>P114 *Synth Hall</b>			
RTIM	SIZE	ROLL	PDLY
3.7s	22.0M	4.8k	0m
RLVL	TDCY	BASS	XOVR
full	5.5k	0.6X	0.4k
SPIN	WAND	SHAP	SPRD
30	147u	0	0
DIFF	LINK	SHLF	SIZE
99	link	off	22.0M
DLY1	DLY2	RTIM	-
12m	16m	3.7s	-
LVL1	LVL2	RLVL	-
off	off	full	-
DLY3	FBK3	DLY4	FBK4
0m	0%	0m	0%
LVL3	-	LVL4	-
off	-	off	-
<b>MOD EDIT</b>			
SOURCE: SOFTKNOB			
DEST	SCALE		
<i>Shape</i>	47%		
<i>SPRD</i>	44%		
<i>PDLY</i>	7.1%		
<i>Roll</i>	16%		
<b>P115 Dance Hall</b>			
RTIM	SIZE	ROLL	PDLY
1.4s	20.3M	8.5k	44m
RLVL	TDCY	BASS	XOVR
full	7.5k	1.2X	1.4k
SPIN	WAND	SHAP	SPRD
18	4410u	135	129
DIFF	LINK	SHLF	SIZE
98	link	off	20.3M
DLY1	DLY2	RTIM	-
6m	22m	1.4s	-
LVL1	LVL2	RLVL	-
-4dB	-4dB	full	-
DLY3	FBK3	DLY4	FBK4
40m	0%	48m	0%
LVL3	-	LVL4	-
off	-	off	-

**Effect Presets Using the Random Ambience Algorithm**

<b>P201 * Ambience</b>			
RTIM	SIZE	DIFF	ROLL
2.0s	29.3M	75	3.6k
RLVL	DDLJ	PDLY	-
-14dB	0m	0m	-
SPIN	WAND	-	-
30	7098	-	-
<b>MOD EDIT</b>			
SOURCE: SOFTKNOB			
DEST	SCALE		
<i>1 Size</i>	-63%		
<i>2 Spin</i>	18%		
<b>P202 In A Room</b>			
RTIM	SIZE	DIFF	ROLL
0.9s	9.0M	79	5.5k
RLVL	DDLJ	PDLY	-
-7dB	0m	7.3m	-
SPIN	WAND	-	-
15	63u	-	-
<b>P203 Stairwell</b>			
RTIM	SIZE	DIFF	ROLL
3.6s	27M	99	6.3k
RLVL	DDLJ	PDLY	-
-4dB	0m	17.1m	-
SPIN	WAND	-	-
0	0u	-	-
<b>MOD EDIT</b>			
SOURCE: SOFTKNOB			
DEST	SCALE		
<i>Size</i>	-5.5%		
<i>Roll</i>	-13%		
<i>PDLY</i>	-21%		
<i>RTIM</i>	-2.4%		
<b>P204 *Hangar</b>			
RTIM	SIZE	DIFF	ROLL
6.6s	39.4M	34	5.5k
RLVL	DDLJ	PDLY	-
-8dB	56.5m	1m	-
SPIN	WAND	-	-
33	7434u	-	-
<b>MOD EDIT</b>			
SOURCE: SOFTKNOB			
DEST	SCALE		
<i>Size</i>	-25%		
<b>P205 Marble Foyer</b>			
RTIM	SIZE	DIFF	ROLL
2.9s	19.7M	63	6.3k
RLVL	DDLJ	PDLY	-
-7dB	17.5m	0m	-
SPIN	WAND	-	-
26	2730u	-	-

<b>P206 EarlyReflectl</b>			
RTIM	SIZE	DIFF	ROLL
0.3s	8.5M	59	21.2k
RLVL	DDLJ	PDLY	-
full	0m	0.1m	-
SPIN	WAND	-	-
30	0u	-	-
<b>P207 Lecture Hall</b>			
RTIM	SIZE	DIFF	ROLL
1.1s	24.8M	32	8.9k
RLVL	DDLJ	PDLY	-
-12dB	0m	27.7m	-
SPIN	WAND	-	-
34	9450u	-	-
<b>P208 *CarInterior</b>			
RTIM	SIZE	DIFF	ROLL
0.3s	4.5M	0	6.3k
RLVL	DDLJ	PDLY	-
off	0m	0m	-
SPIN	WAND	-	-
18	1008	-	-
<b>MOD EDIT</b>			
SOURCE: SOFTKNOB			
DEST	SCALE		
<i>Spin</i>	60%		
<b>P209 Score Stage</b>			
RTIM	SIZE	DIFF	ROLL
2.1s	20.3M	94	4.4k
RLVL	DDLJ	PDLY	-
-4dB	0m	9.6m	-
SPIN	WAND	-	-
9	6426u	-	-
<b>P210 Gate It!!</b>			
RTIM	SIZE	DIFF	ROLL
0.0s	14.1M	59	21.2k
RLVL	DDLJ	PDLY	-
full	0m	0m	-
SPIN	WAND	-	-
33	6426u	-	-

### Effect Presets Using the Rich Plate Algorithm

<b>P301 *Rich Plate</b>			
RTIM	SIZE	ROLL	PDLY
1.7s	24.2M	14.2k	0m
RLVL	TDCY	BASS	XOVR
full	12.8k	1.0X	0.8k
RAND	-	SHAP	SPRD
82%	-	16	31
DIFF	LINK	-	SIZE
99	link	-	24.2M
DLY1	DLY2	DLY3	DLY4
500m	500m	30m	38m
FBK1	FBK2	LVL3	LVL4
0%	0%	off	off
DLY5	FBK5	DLY6	FBK6
74	0%	250m	0%
LVL5	-	LVL6	-
off	-	off	-
<b>MOD EDIT</b>			
SOURCE: SOFTKNOB			
<b>DEST</b>		<b>SCALE</b>	
1 RTIM		-33%	

<b>P302 Glossy Plate</b>			
RTIM	SIZE	ROLL	PDLY
1.8s	20.3M	flat	0m
RLVL	TDCY	BASS	XOVR
full	21.2k	0.6X	0.2k
RAND	-	SHAP	SPRD
64%	-	24	20
DIFF	LINK	-	SIZE
99	link	-	20.3M
DLY1	DLY2	DLY3	DLY4
90m	92m	30m	20m
FBK1	FBK2	LVL3	LVL4
0%	0%	full	full
DLY5	FBK5	DLY6	FBK6
8m	0%	16m	0%
LVL5	-	LVL6	-
-3dB	-	-3dB	-

<b>P303 Warm Plate</b>			
RTIM	SIZE	ROLL	PDLY
1.2s	18.6M	7.5k	0m
RLVL	TDCY	BASS	XOVR
full	8.9k	1.2X	2.5k
RAND	-	SHAP	SPRD
off	-	115	74
DIFF	LINK	-	SIZE
83	link	-	18.6M
DLY1	DLY2	DLY3	DLY4
90m	92m	30m	20m
FBK1	FBK2	LVL3	LVL4
0%	0%	off	off
DLY5	FBK5	DLY6	FBK6
8m	0%	16m	0%
LVL5	-	LVL6	-
off	-	off	-

<b>P304 Perc Plate</b>			
RTIM	SIZE	ROLL	PDLY
1.1s	16.3M	8.5k	0m
RLVL	TDCY	BASS	XOVR
full	10.6k	0.8X	1.4k
RAND	-	SHAP	SPRD
77%	-	15	29
DIFF	LINK	-	SIZE
87	link	-	16.3M
DLY1	DLY2	DLY3	DLY4
90m	92m	18m	8m
FBK1	FBK2	LVL3	LVL4
0%	0%	-4dB	-4dB
DLY5	FBK5	DLY6	FBK6
8m	0%	16m	0%
LVL5	-	LVL6	-
off	-	off	-

<b>P305 Contem-Plate</b>			
RTIM	SIZE	ROLL	PDLY
1.7s	29.8M	9.7k	0m
RLVL	TDCY	BASS	XOVR
full	8.9k	0.8X	0.6k
RAND	-	SHAP	SPRD
22%	-	22	50
DIFF	LINK	-	SIZE
99	link	-	29.8M
DLY1	DLY2	DLY3	DLY4
0m	0m	6m	22m
FBK1	FBK2	LVL3	LVL4
0%	0%	-8dB	-6dB
DLY5	FBK5	DLY6	FBK6
0m	0%	0m	0%
LVL5	-	LVL6	-
off	-	off	-

<b>P306 *EKO Plate</b>			
RTIM	SIZE	ROLL	PDLY
1.5s	28.7M	8.5k	10m
RLVL	TDCY	BASS	XOVR
-4dB	6.3k	1.0X	1.0k
RAND	-	SHAP	SPRD
46%	-	0	0
DIFF	LINK	-	SIZE
67	link	-	28.7M
DLY1	DLY2	DLY3	DLY4
660m	628m	30m	34m
FBK1	FBK2	LVL3	LVL4
43%	-37%	-4dB	-4dB
DLY5	FBK5	DLY6	FBK6
54m	25%	28m	25%
LVL5	-	LVL6	-
-4dB	-	-4dB	-
<b>MOD EDIT</b>			
SOURCE: SOFTKNOB			
<b>DEST</b>		<b>SCALE</b>	
1 RTiM		-24%	
2 Dly1		-27%	
3 Dly2		-29%	

<b>P307 Bright Plate</b>			
RTIM	SIZE	ROLL	PDLY
1.3s	23.1M	10.6k	0m
RLVL	TDCY	BASS	XOVR
full	12.8k	1.0X	1.0k
RAND	-	SHAP	SPRD
Off	-	0	0
DIFF	LINK	-	SIZE
88	link	-	23.1M
DLY1	DLY2	DLY3	DLY4
0m	0m	2m	14m
FBK1	FBK2	LVL3	LVL4
0%	0%	-2dB	-2dB
DLY5	FBK5	DLY6	FBK6
14m	0%	2m	0%
LVL5	-	LVL6	-
-2dB	-	-2dB	-

<b>P306 * Round Plate</b>			
RTIM	SIZE	ROLL	PDLY
0.7s	27.6M	15.0k	0m
RLVL	TDCY	BASS	XOVR
full	5.5k	2.0X	3.6k
RAND	-	SHAP	SPRD
off	-	0	0
DIFF	LINK	-	SIZE
99	link	-	27.6M
DLY1	DLY2	DLY3	DLY4
582m	592m	30m	38m
FBK1	FBK2	LVL3	LVL4
0%	0%	off	off
DLY5	FBK5	DLY6	FBK6
18m	0%	10m	0%
LVL5	-	LVL6	-
-3dB	-	-3dB	-
<b>MOD EDIT</b>			
SOURCE: SOFTKNOB			
<b>DEST</b>		<b>SCALE</b>	
1 FBK1		-29%	
2 FBK2		-29%	
3 SIZE		100%	
4 SIZE		100%	



## Effect Presets Using the Stereo Adjust Algorithm

<b>P401 Stereo Adjust</b>			
MSTR	BAL	ROT	DLAY
0dB	<0>	<0>	0m
D-EM	11uS	RFnS	-
off	off	+L+R	-
BASS	TREB	LTRB	RTRB
flat	flat	flat	flat
BXOV	TXOV	TXLR	SPEQ
0.5k	7.5k	12.2k	flat
LDLY	LFIN	RDLY	RFIN
0m	0S	0m	0S
LFBK	Lfbk	RFBK	Rfbk
0%	0%	0%	0%

<b>P402 Phase Invert</b>			
MSTR	BAL	ROT	DLAY
0dB	<0>	<0>	0m
D-EM	11uS	RFnS	-
off	off	+L-R	-
BASS	TREB	LTRB	RTRB
flat	flat	flat	flat
BXOV	TXOV	TXLR	SPEQ
0.5k	7.5k	12.2k	flat
LDLY	LFIN	RDLY	RFIN
0m	0S	0m	0S
LFBK	Lfbk	RFBK	Rfbk
0%	0%	0%	0%

<b>P403 2 Frame Dly</b>			
MSTR	BAL	ROT	DLAY
0dB	<0>	<0>	60m
D-EM	11uS	RFnS	-
off	off	+L+R	-
BASS	TREB	LTRB	RTRB
flat	flat	flat	flat
BXOV	TXOV	TXLR	SPEQ
0.5k	7.5k	12.2k	flat
LDLY	LFIN	RDLY	RFIN
0m	282S	0m	282S
LFBK	Lfbk	RFBK	Rfbk
0%	0%	0%	0%

<b>P404 2 Frame Dly</b>			
MSTR	BAL	ROT	DLAY
0dB	<0>	<0>	60m
D-EM	11uS	RFnS	-
off	off	+L+R	-
BASS	TREB	LTRB	RTRB
flat	flat	flat	flat
BXOV	TXOV	TXLR	SPEQ
0.5k	7.5k	12.2k	flat
LDLY	LFIN	RDLY	RFIN
0m	282S	0m	282S
LFBK	Lfbk	RFBK	Rfbk
0%	0%	0%	0%

<b>P404 3 Frame Dly</b>			
MSTR	BAL	ROT	DLAY
0dB	<0>	<0>	100m
D-EM	11uS	RFnS	-
off	off	+L+R	-
BASS	TREB	LTRB	RTRB
flat	flat	flat	flat
BXOV	TXOV	TXLR	SPEQ
0.5k	7.5k	12.2k	flat
LDLY	LFIN	RDLY	RFIN
0m	0S	0m	0S
LFBK	Lfbk	RFBK	Rfbk
0%	0%	0%	0%

<b>P405 4 Frame Dly</b>			
MSTR	BAL	ROT	DLAY
0dB	<0>	<0>	130m
D-EM	11uS	RFnS	-
off	off	+L+R	-
BASS	TREB	LTRB	RTRB
flat	flat	flat	flat
BXOV	TXOV	TXLR	SPEQ
0.5k	7.5k	12.2k	flat
LDLY	LFIN	RDLY	RFIN
0m	133S	0m	133S
LFBK	Lfbk	RFBK	Rfbk
0%	0%	0%	0%

<b>P406 MS Decode</b>			
MSTR	BAL	ROT	DLAY
0dB	L+0	R+67	0m
D-EM	11uS	RFnS	-
off	off	+L+R	-
BASS	TREB	LTRB	RTRB
flat	flat	flat	flat
BXOV	TXOV	TXLR	SPEQ
0.5k	7.5k	12.2k	flat
LDLY	LFIN	RDLY	RFIN
0m	0S	0m	0S
LFBK	Lfbk	RFBK	Rfbk
0%	0%	0%	0%

<b>P407 *MultiEchoes</b>			
MSTR	BAL	ROT	DLAY
0dB	<0>	<0>	0m
D-EM	11uS	RFnS	-
off	off	+L+R	-
BASS	TREB	LTRB	RTRB
flat	flat	flat	flat
BXOV	TXOV	TXLR	SPEQ
0.5k	7.5k	12.2k	flat
LDLY	LFIN	RDLY	RFIN
60m	434S	270m	436S
LFBK	Lfbk	RFBK	Rfbk
45%	-20%	28%	-17%

<b>MOD EDIT</b>			
SOURCE: SOFTKNOB			
<b>DEST</b>	<b>SCALE</b>		
1 DELAY	100%		

<b>P408 LFO Panner</b>			
MSTR	BAL	ROT	DLAY
0dB	L+78	<0>	0m
D-EM	11uS	RFnS	-
off	off	+L+R	-
BASS	TREB	LTRB	RTRB
flat	flat	flat	flat
BXOV	TXOV	TXLR	SPEQ
0.5k	7.5k	12.2k	flat
LDLY	LFIN	RDLY	RFIN
0m	0S	0m	0S
LFBK	Lfbk	RFBK	Rfbk
0%	0%	0%	0%

<b>MOD EDIT</b>			
SOURCE: SOFTKNOB			
<b>DEST</b>	<b>SCALE</b>		
LFO	100%		

<b>P410 Telephone</b>			
MSTR	BAL	ROT	DLAY
0dB	<0>	<0>	0m
D-EM	11uS	RFnS	-
off	off	+L+R	-
BASS	TREB	LTRB	RTRB
-15	+6.0	-16	cut
BXOV	TXOV	TXLR	SPEQ
1.4k	0.5k	6.6k	flat
LDLY	LFIN	RDLY	RFIN
0m	0S	0m	0S
LFBK	Lfbk	RFBK	Rfbk
0%	0%	0%	0%

## Effect Presets Using the Stereo Pitch Shift Algorithm

<b>P501 Stereo Shift</b>			
MODE	GLDL	-	GLDR
ster	100%	-	100%
PCHL	FINL	PCHR	FINR
nul	0C	nul	0C
LDLY	LFBK	RDLY	RFBK
32m	0%	32m	0%
BNPS	SYNC	-	-
on	on	-	-
<b>MOD EDIT</b>			
SOURCE: SOFTKNOB			
	<b>DEST</b>	<b>SCALE</b>	
	1 GLDL	100%	

<b>P502 Octave Down</b>			
MODE	GLDL	-	GLDR
ster	50%	-	50%
PCHL	FINL	PCHR	FINR
-Oct	0C	-Oct	0C
LDLY	LFBK	RDLY	RFBK
30m	0%	30m	0%
BNPS	SYNC	-	-
On	On	-	-

<b>P503 Vox Chorus</b>			
MODE	GLDL	-	GLDR
Mono	100%	-	99%
PCHL	FINL	PCHR	FINR
Nul	-7C	Nul	-14C
LDLY	LFBK	RDLY	RFBK
16m	11%	26m	7%
BNPS	SYNC	-	-
On	Off	-	-

<b>P504 Pole Flange</b>			
MODE	GLDL	-	GLDR
Ster	100%	-	100%
PCHL	FINL	PCHR	FINR
Nul	-7C	Nul	-7C
LDLY	LFBK	RDLY	RFBK
0m	46%	0m	46%
BNPS	SYNC	-	-
On	On	-	-

<b>P505 Bulkie Roll</b>			
MODE	GLDL	-	GLDR
Mono	99%	-	101%
PCHL	FINL	PCHR	FINR
Nul	-14C	Nul	+13C
LDLY	LFBK	RDLY	RFBK
8m	18%	8m	18%
BNPS	SYNC	-	-
On	On	-	-

<b>P506 Heavy Roll</b>			
MODE	GLDL	-	GLDR
Mono	99%	-	101%
PCHL	FINL	PCHR	FINR
Nul	-14C	Nul	+20C
LDLY	LFBK	RDLY	RFBK
50m	20%	60m	20%
BNPS	SYNC	-	-
On	On	-	-

<b>P507 *Going, Going</b>			
MODE	GLDL	-	GLDR
Ster	112%	-	112%
PCHL	FINL	PCHR	FINR
+Ma2	+0C	+Ma2	+0C
LDLY	LFBK	RDLY	RFBK
150m	60%	150m	60%
BNPS	SYNC	-	-
On	On	-	-

<b>MOD EDIT</b>			
SOURCE: SOFTKNOB			
	<b>DEST</b>	<b>SCALE</b>	
	1 LDly	69%	
	2 RDly	69%	

<b>P508 Zorch!</b>			
MODE	GLDL	-	GLDR
Mono	111%	-	87%
PCHL	FINL	PCHR	FINR
+mi2	+81C	-Ma2	-38C
LDLY	LFBK	RDLY	RFBK
38m	57%	76m	50%
BNPS	SYNC	-	-
On	On	-	-

### Effect Presets using the Dual Delays Algorithm

<b>P601 *Dual Delays</b>			
CC:	FDLY	LFBD	RFBD
	0.0m	0.0m	0.0m
MchA		LFLG	RFLG
		0%	0%
CC:		DLY1	FBK1
		0.0m	0%
MchA		DLY2	FBK2
		0.0m	0%
CC:		APD1	APG1
		0.0m	0
MchA		APD2	APG2
		0.0m	0
CC:		DLY3	FBK3
		0.0m	0%
MchA		DLY4	FBK4
		0.0m	0%
CC:		LDLY	LPAN
		0.0m	L-CH
MchA		RDLY	RPAN
		0.0m	R-CH
Patch			
#1	LDLY		
Knob	0	0	85%
#2	RDLY		
Knob	0	0	85%

<b>P602 Space Delays</b>			
CC:	FDLY	LFBD	RFBD
	8.6m	0.0m	0.0m
MchA		LFLG	RFLG
		57%	86%
CC:		DLY1	FBK1
		470m	22%
MchA		DLY2	FBK2
		437m	23%
CC:		APD1	APG1
		4.0m	185
MchA		APD2	APG2
		7.4m	50
CC:		DLY3	FBK3
		186m	28%
MchA		DLY4	FBK4
		228m	36%
CC:		LDLY	LPAN
		36.2m	L-CH
MchA		RDLY	RPAN
		18.9m	R-CH

<b>P603 *PingoPongo</b>			
CC:	FDLY	LFBD	RFBD
	0.0m	0.0m	0.0m
MchA		LFLG	RFLG
		0%	0%
CC:		DLY1	FBK1
		150m	30%
MchA		DLY2	FBK2
		150m	40%
CC:		APD1	APG1
		4.8m	100
MchA		APD2	APG2
		8.6m	100
CC:		DLY3	FBK3
		0.0m	0%
MchA		DLY4	FBK4
		0.0m	0%
CC:		LDLY	LPAN
		75m	L-CH
MchA		RDLY	RPAN
		0m	R-CH
Patch			
#1	DLY1		
Knob	0	0	80%
#2	DLY2		
Knob	0	0	80%
#3	LDLY		
Knob	0	0	40%

<b>P604 *3VoiceDlys</b>			
CC:	FDLY	LFBD	RFBD
	0.0m	0.0m	0.0m
MchA		LFLG	RFLG
		0%	0%
CC:		DLY1	FBK1
		0.0m	0%
MchA		DLY2	FBK2
		0.0m	0%
CC:		APD1	APG1
		0.0m	0
MchA		APD2	APG2
		0.0m	0
CC:		DLY3	FBK3
		147m	40%
MchA		DLY4	FBK4
		294m	32%
CC:		LDLY	LPAN
		18m	L-CH
MchA		RDLY	RPAN
		18m	R-CH
Patch			
#1	DLY3		
Knob	0	0	40%
#2	DLY4		
Knob	0	0	80%

<b>P605 OverTheTop1</b>			
CC:	FDLY	LFBD	RFBD
	9.5m	10.0m	10.0m
MchA		LFLG	RFLG
		91%	91%
CC:		DLY1	FBK1
		0.0m	0%
MchA		DLY2	FBK2
		0.0m	0%
CC:		APD1	APG1
		0.0m	0
MchA		APD2	APG2
		0.0m	0
CC:		DLY3	FBK3
		0.0m	0%
MchA		DLY4	FBK4
		0.0m	0%
CC:		LDLY	LPAN
		0.0m	L-CH
MchA		RDLY	RPAN
		0.0m	R-CH
Patch			
#1	FDLY		
LFO		0	49%

<b>P606 OverTheTop2</b>			
CC:	FDLY	LFBD	RFBD
	0.8m	10.0m	10.0m
MchA		LFLG	RFLG
		-85%	-85%
CC:		DLY1	FBK1
		0.0m	0%
MchA		DLY2	FBK2
		0.0m	0%
CC:		APD1	APG1
		0.0m	0
MchA		APD2	APG2
		0.0m	0
CC:		DLY3	FBK3
		0.0m	0%
MchA		DLY4	FBK4
		0.0m	0%
CC:		LDLY	LPAN
		0.0m	R-CH
MchA		RDLY	RPAN
		0.0m	L-CH
Patch			
#1	FDLY		
LFO		0	49%

**Effect Presets using the Dual Delays Algorithm, Cont'd.**

<b>P607 LFO:FazeDlys</b>			
CC:	FDLY	LFBD	RFBD
	6.0m	1.9m	5.6m
MchA		LFLG	RFLG
		-99%	99%
CC:		DLY1	FBK1
		382m	23%
MchA		DLY2	FBK2
		366m	19%
CC:		APD1	APG1
		6.6m	164
MchA		APD2	APG2
		8.4m	152
CC:		DLY3	FBK3
		149m	18%
MchA		DLY4	FBK4
		130m	26%
CC:		LDLY	LPAN
		18.2m	L-CH
MchA		RDLY	RPAN
		12.3m	R-CH
Patch			
#1	FDLY		
LFO	0		-22%

<b>P608 Env:Phazer</b>			
CC:	FDLY	LFBD	RFBD
	9.7m	5.2	5.2
MchA		LFLG	RFLG
		86%	86%
CC:		DLY1	FBK1
		0.0m	0%
MchA		DLY2	FBK2
		0.0m	0%
CC:		APD1	APG1
		6.6m	0
MchA		APD2	APG2
		8.4m	0
CC:		DLY3	FBK3
		0.0m	0%
MchA		DLY4	FBK4
		0.0m	0%
CC:		LDLY	LPAN
		0.0m	L-CH
MchA		RDLY	RPAN
		0.0m	R-CH
Patch			
#1	FDLY		
L-Meter	0		-30%

<b>P609 Chorus</b>			
CC:	FDLY	LFBD	RFBD
	9.7m	1.4m	19.4m
MchA		LFLG	RFLG
		19%	19%
CC:		DLY1	FBK1
		0.0m	0%
MchA		DLY2	FBK2
		0.0m	0%
CC:		APD1	APG1
		0.0m	0
MchA		APD2	APG2
		0.0m	0
CC:		DLY3	FBK3
		0.0m	0%
MchA		DLY4	FBK4
		0.0m	0%
CC:		LDLY	LPAN
		5.7m	R-CH
MchA		RDLY	RPAN
		16.0m	L-CH
Patch			
#1	FDLY		
LFO	0		9.5%

<b>P610 *Sky Delays</b>			
CC:	FDLY	LFBD	RFBD
	1.8m	5.8m	4.3m
MchA		LFLG	RFLG
		-28%	28%
CC:		DLY1	FBK1
		79.8m	22%
MchA		DLY2	FBK2
		28.7m	-20%
CC:		APD1	APG1
		10.2m	47
MchA		APD2	APG2
		5.6m	36
CC:		DLY3	FBK3
		81.7m	40%
MchA		DLY4	FBK4
		56.0m	-30%
CC:		LDLY	LPAN
		57.2m	L-CH
MchA		RDLY	RPAN
		41.4m	R-CH
Patch			
#1	LDLY		
Knob	0		78%
#2	RDLY		
Knob	0		72%
#3	FDLY		
LFO			75%

<b>P611 LFO:Pan&amp;Faze</b>			
CC:	FDLY	LFBD	RFBD
	10.1m	3.5m	9.0m
MchA		LFLG	RFLG
		-99%	99%
CC:		DLY1	FBK1
		0.0m	0%
MchA		DLY2	FBK2
		0.0m	0%
CC:		APD1	APG1
		6.6m	0
MchA		APD2	APG2
		8.4m	0
CC:		DLY3	FBK3
		0.0m	0%
MchA		DLY4	FBK4
		0.0m	0%
CC:		LDLY	LPAN
		0.0m	L-CH
MchA		RDLY	RPAN
		0.0m	R-CH
Patch			
#1	FDLY		
LFO	0		-33%
#2	RPAN		
LFO	0		100%
#3	LPAN		
LFO	0		100%

<b>P612 Chorus+EKOz</b>			
CC:	FDLY	LFBD	RFBD
	8.4m	0.0m	0.0m
MchA		LFLG	RFLG
		-37%	-30%
CC:		DLY1	FBK1
		411	15%
MchA		DLY2	FBK2
		223m	20%
CC:		APD1	APG1
		4.9m	71
MchA		APD2	APG2
		7.1m	74
CC:		DLY3	FBK3
		330m	32%
MchA		DLY4	FBK4
		616m	22%
CC:		LDLY	LPAN
		16.6m	L-CH
MchA		RDLY	RPAN
		31.7m	R-CH
Patch			
#1	FDLY		
LFO	5		7.5%

**Effect Presets using the Dual Delays Algorithm, Cont'd.**

<b>P613 *Wall Slaps</b>			
CC:	FDLY	LFBD	RFBD
	0.0m	0.0m	0.0m
MchA		LFLG	RFLG
		0%	0%
CC:		DLY1	FBK1
		40.4m	31%
MchA		DLY2	FBK2
		57.4m	25%
CC:		APD1	APG1
		8.9m	74
MchA		APD2	APG2
		6.0m	83
CC:		DLY3	FBK3
		0.0m	0%
MchA		DLY4	FBK4
		0.0m	0%
CC:		LDLY	LPAN
		26.9m	L-CH
MchA		RDLY	RPAN
		26.9m	R-CH
Patch			
#1	DLY1		
Knob	0	0	5.5%
#2	DLY2		
Knob	0	0	7.1%

<b>P615 NegativeFling</b>			
CC:	FDLY	LFBD	RFBD
	18.5m	8.3m	8.7m
MchA		LFLG	RFLG
		-96%	-96%
CC:		DLY1	FBK1
		0m	0%
MchA		DLY2	FBK2
		0m	0%
CC:		APD1	APG1
		0m	0
MchA		APD2	APG2
		0m	0
CC:		DLY3	FBK3
		0m	0%
MchA		DLY4	FBK4
		0m	0%
CC:		LDLY	LPAN
		0m	R-CH
MchA		RDLY	RPAN
		0m	L-CH
Patch			
#1	FDLY		
LFO	0	-48%	

<b>P614 Env:Peak</b>			
CC:	FDLY	LFBD	RFBD
	6.2m	10.0m	11.5m
MchA		LFLG	RFLG
		87%	87%
CC:		DLY1	FBK1
		0m	0%
MchA		DLY2	FBK2
		0m	0%
CC:		APD1	APG1
		0m	0
MchA		APD2	APG2
		0m	0
CC:		DLY3	FBK3
		0.0m	0%
MchA		DLY4	FBK4
		0.0m	0%
CC:		LDLY	LPAN
		0m	L-CH
MchA		RDLY	RPAN
		0m	R-CH
Patch			
#1	FDLY		
R-Meter	0	30%	

### Effect Presets using the Split Chamber Algorithm

<b>P701 Chamber</b>			
CC:	RTIM	SIZE	PDLY
	1.8s	28.1M	6m
MchA	TDCY	SHAP	SPRD
	1.6k	20	50
CC:	BASS	DIFF	RAND
	1.2X	65	96%
MchA	XOVR	LINK	
	0.8k	Link	

<b>P702 Key Chamber</b>			
CC:	RTIM	SIZE	PDLY
	1.4s	43.9M	18m
MchA	TDCY	SHAP	SPRD
	0,5k	122	124
CC:	BASS	DIFF	RAND
	1.5X	61	90%
MchA	XOVR	LINK	
	0.5k	Link	

<b>P703 Drum Chamber</b>			
CC:	RTIM	SIZE	PDLY
	1.0s	24.2M	24m
MchA	TDCY	SHAP	SPRD
	1.0k	26	50
CC:	BASS	DIFF	RAND
	1.2X	50	97%
MchA	XOVR	LINK	
	0.8k	Link	

<b>P704 Drum Plate</b>			
CC:	RTIM	SIZE	PDLY
	1.4s	42.2M	0
MchA	TDCY	SHAP	SPRD
	3.6k	0	30
CC:	BASS	DIFF	RAND
	0.8X	67	87%
MchA	XOVR	LINK	
	0.6k	Link	

<b>P705 Guitar Room</b>			
CC:	RTIM	SIZE	PDLY
	0.7s	28.7M	12m
MchA	TDCY	SHAP	SPRD
	1.0k	62	77
CC:	BASS	DIFF	RAND
	2.0X	64	90%
MchA	XOVR	LINK	
	1.4k	Link	

<b>P706 Big &amp; Short</b>			
CC:	RTIM	SIZE	PDLY
	0.3s	54.6M	30m
MchA	TDCY	SHAP	SPRD
	1.6k	95	160
CC:	BASS	DIFF	RAND
	2.0X	64	90%
MchA	XOVR	LINK	
	1.2k	Link	

<b>P707 'U' Chamber</b>			
CC:	RTIM	SIZE	PDLY
	2.5s	32.1M	8m
MchA	TDCY	SHAP	SPRD
	1.0k	83	61
CC:	BASS	DIFF	RAND
	1.2X	56	98%
MchA	XOVR	LINK	
	0.6k	Link	

<b>P708 "L" Chamber</b>			
CC:	RTIM	SIZE	PDLY
	1.3s	29.3M	4m
MchA	TDCY	SHAP	SPRD
	1.6k	164	31
CC:	BASS	DIFF	RAND
	1.2X	77	98%
MchA	XOVR	LINK	
	0.6k	Link	

<b>Patch #1</b>			
<b>Knob</b>	<b>RTIM</b>		
	0	0	16%

<b>P709 Basement</b>			
CC:	RTIM	SIZE	PDLY
	0.5s	15.8M	14m
MchA	TDCY	SHAP	SPRD
	1.0k	27	57
CC:	BASS	DIFF	RAND
	1.5X	27	89%
MchA	XOVR	LINK	
	0.8k	Link	

<b>P710 Big Hall</b>			
CC:	RTIM	SIZE	PDLY
	2.4s	48.4M	44m
MchA	TDCY	SHAP	SPRD
	0.5k	109	141
CC:	BASS	DIFF	RAND
	1.5X	68	93%
MchA	XOVR	LINK	
	0.6k	Link	

<b>P711 *Great Room</b>			
CC:	RTIM	SIZE	PDLY
	0.7s	28.7M	12m
MchA	TDCY	SHAP	SPRD
	1.0k	62	77
CC:	BASS	DIFF	RAND
	2.0X	64	90%
MchA	XOVR	LINK	
	1.4k	Unlk	

<b>Patch #1</b>			
<b>Knob</b>	<b>PDLY</b>		
	0	0	1.6%

<b>Patch #2</b>			
<b>Knob</b>	<b>SPRD</b>		
	0	0	22%

<b>P712 *Great Hall</b>			
CC:	RTIM	SIZE	PDLY
	2.1s	66.4M	26m
MchA	TDCY	SHAP	SPRD
	1.0k	34	173
CC:	BASS	DIFF	RAND
	2.0X	80	95%
MchA	XOVR	LINK	
	0.9k	Link	

<b>Patch #1</b>			
<b>Knob</b>	<b>PDLY</b>		
	0	0	4.0%

<b>Patch #2</b>			
<b>Knob</b>	<b>SPRD</b>		
	0	0	30%

<b>Patch #3</b>			
<b>Knob</b>	<b>RTIM</b>		
	0	0	13%

<b>P713 Big Bricks</b>			
CC:	RTIM	SIZE	PDLY
	0.5s	36.0M	6m
MchA	TDCY	SHAP	SPRD
	2.9k	85	111
CC:	BASS	DIFF	RAND
	1.5X	59	96%
MchA	XOVR	LINK	
	1.4k	Unlk	

<b>P714 Joe's B&amp;G</b>			
CC:	RTIM	SIZE	PDLY
	0.5s	14.6M	2m
MchA	TDCY	SHAP	SPRD
	0.5	20	41
CC:	BASS	DIFF	RAND
	1.5X	66	98%
MchA	XOVR	LINK	
	1.4k	Link	

<b>Patch #1</b>			
<b>Knob</b>	<b>SIZE</b>		
	0	0	25%

<b>P715 Joe's Garage</b>			
CC:	RTIM	SIZE	PDLY
	0.7s	7.3M	0m
MchA	TDCY	SHAP	SPRD
	2.2k	11	50
CC:	BASS	DIFF	RAND
	1.2X	30	59%
MchA	XOVR	LINK	
	2.0k	Unlk	

**Effect Presets using the Split Chamber Algorithm, Cont'd.**

<b>P716 Sizzle City</b>			
CC:	RTIM	SIZE	PDLY
	2.6s	13.5M	0m
MchA	TDCY	SHAP	SPRD
	10.6k	161	11
CC:	BASS	DIFF	RAND
	0.4X	68	97%
MchA	XOVR	LINK	
	1.9k	Unlk	

<b>P720 Recital Hall</b>			
CC:	RTIM	SIZE	PDLY
	2.3s	44.5M	30m
MchA	TDCY	SHAP	SPRD
	1.0k	125	59
CC:	BASS	DIFF	RAND
	1.2X	60	96%
MchA	XOVR	LINK	
	0.9k	Link	

<b>P717 *Drum Rooms</b>			
CC:	RTIM	SIZE	PDLY
	1.1s	16.3M	16m
MchA	TDCY	SHAP	SPRD
	3.6k	58	32
CC:	BASS	DIFF	RAND
	1.5X	15	MAX
MchA	XOVR	LINK	
	0.8k	Link	
Patch			
#1	XOVR		
Knob	0	0	85%
#2	SPRD		
Knob	0	0	40%
#3	RTIM		
Knob	0	0	-16%

<b>P718 *BigBathroom</b>			
CC:	RTIM	SIZE	PDLY
	1.1s	18.0M	0m
MchA	TDCY	SHAP	SPRD
	10.6k	205	68
CC:	BASS	DIFF	RAND
	1.2X	44	30%
MchA	XOVR	LINK	
	5.8k	Unlk	
Patch			
#1	RTIM		
Knob	0	0	25%
#2	TDCY		
Knob	0	0	-30%

<b>P719 *Delay Room</b>			
CC:	RTIM	SIZE	PDLY
	0.7s	33.2M	30m
MchA	TDCY	SHAP	SPRD
	1.0k	138	78
CC:	BASS	DIFF	RAND
	1.2X	65	96%
MchA	XOVR	LINK	
	3.6k	Unlk	
Patch			
#1	PDLY		
Knob	0	0	16%

### Effect Presets using the Mono Pitch Shift Algorithm

<b>P801 Mono Shift</b>			
CC:	PCH	DLY	FBK
	Nul	40m	0%
MchA:	GLD	FIN	BNPS
	100%	0c	On

<b>P802 Guit Shift</b>			
CC:	PCH	DLY	FBK
	Nul	8m	17%
MchA:	GLD	FIN	BNPS
	99%	-14c	On
Patch			
#1	GLD		
LFO	0	0.4%	

<b>P803 *Up Shift</b>			
CC:	PCH	DLY	FBK
	Nul	0m	27%
MchA:	GLD	FIN	BNPS
	100%	+7c	On
Patch			
#1	DLY		
Knob	0	0	100%

<b>P804 Sky Down</b>			
CC:	PCH	DLY	FBK
	Nul	2m	49%
MchA:	GLD	FIN	BNPS
	100%	-7%	On

<b>P805 Env*EKOShift</b>			
CC:	PCH	DLY	FBK
	Nul	10m	69%
MchA:	GLD	FIN	BNPS
	100%	+7%	On
Patch			
#1	DLY		
Knob	0	0	93%
#2	FBK		
L-Meter	0	-47%	

<b>P806 Echo Down</b>			
CC:	PCH	DLY	FBK
	Nul	258m	25%
MchA:	GLD	FIN	BNPS
	99%	-14c	On

<b>P807 HalfStepsUp</b>			
CC:	PCH	DLY	FBK
	+mi2	388m	40%
MchA:	GLD	FIN	BNPS
	106%	+0c	On

<b>P808 HalfStepsDn</b>			
CC:	PCH	DLY	FBK
	-mi2	388m	50%
MchA:	GLD	FIN	BNPS
	95%	0c	On

<b>P809 Octave Down</b>			
CC:	PCH	DLY	FBK
	-Oct	30m	0%
MchA:	GLD	FIN	BNPS
	50%	-0c	On

<b>P810 Vocal Shift</b>			
CC:	PCH	DLY	FBK
	Nul	40m	26%
MchA:	GLD	FIN	BNPS
	100%	-7%	On

### Effect Presets using the Compressor Algorithm

<b>P901 EZ Comp2:1</b>			
CC:	PDLY	ATC	RTC
	6m	7	363
MchA:	THRS	GAIN	RATO
	-12	3	1.88
CC:	X-TH	X-GN	X-RT
	-52	7	2.00
MchA:			

<b>P902 Drum Comp3:1</b>			
CC:	PDLY	ATC	RTC
	4m	7	58
MchA:	THRS	GAIN	RATO
	-17	7	3.00
CC:	X-TH	X-GN	X-RT
	-52	7	2.00
MchA:			

### Effect Presets using the PONS Algorithm

<b>P001 PONS</b>			
CC:	DITH	PONS	
	32	On	
MchA:			

<b>Effect Presets using the Small Stereo Adjust Algorithm</b>			
<b>P010 *Small St Ad</b>			
CC:	MSTR	BAL	ROT
	0dB	0	0
MchA:		SPEQ	RFnS
		Flat	+L+R
CC:	BASL	LTRB	BXOV
	+0dB	+0dB	1.2k
MchA:	BASR	RTRB	TXLR
	+0dB	+0dB	2.0k
Patch			
#1	SPEQ		
Knob	0	0	49%
#2	BASL		
Knob	0	0	30%
#3	BASR		
Knob	0	0	30%

<b>P011Panola</b>			
CC:	MSTR	BAL	ROT
	0dB	L+78	0
MchA:		SPEQ	RFnS
		Flat	+L+R
CC:	BASL	LTRB	BXOV
	+0dB	+0dB	1.2k
MchA:	BASR	RTRB	TXLR
	+0dB	+0dB	2.0k
Patch			
#1	BAL		
Knob	0	0	100%



---

## Time Code Operation

**Using time code** The 300 utilizes time code to trigger Setup and Effect changes. It can also use time code to trigger parameter glides. In order for any of the time code functions to work, a time code source must be plugged into the Time Code Input on the 300 rear panel.

Time code is an electronic signal applied to tape or film which identifies each individual video frame. The ability to uniquely identify any frame provides a reference system for fast and accurate location of any point on the tape. This referencing system maintains its accuracy regardless of changes in playback or editing equipment, allowing precise synchronization of an entire editing system.

Time code identifies each video frame by assigning it a unique "address". Frames are sequentially identified by hour, minute, second, and frame. For example, a typical timecode address appears as:

09 : 42 : 31 : 07  
hours minutes seconds frames

As each frame is advanced, the time code address is increased by one frame "count". Because the time code signal is locked to advancing video frames, both advance at exactly the same rate.

In the USA, there are two standard frame rates, one for black and white (monochrome) and one for color.

Monochromatic video runs at a rate of 30 frames per second. If a black and white TV program is measured by time code, the program length, time code display, and clock time will all be in synchronization. Color video signals run at a rate of 29.97 frames per second, and clocking a one-hour color program at 30 frames per second will result in a time discrepancy of 3.6 seconds (or 108 frames). In order to correct this discrepancy, a version of time code called SMPTE Drop Frame was developed.

SMPTE Drop Frame Time Code, as its name implies, eliminates frame addresses from the Time Code each hour to allow matching of time code and clock time. Specifically, frame addresses .00 and .01 are eliminated at the end of every minute in an hour, except for minutes: 00,10,20,30,40 and 50. For example, 00.00.59.29 advances to the number 00.01.00.02. **In Drop Frame mode, the frame numbers .00 and .01 do not exist, except for minutes 00, 10, 20, 30, 40 and 50.** Since Drop Frame time code eliminates only frame addresses, the actual video is unaffected. Color video frames continue to progress at the rate of 29.97 per second. Any calculations of program length based on Drop Frame time code will, therefore, agree with standard clock time.

The 300 reads time code in the following formats:

- SMPTE NON-DROP** SMPTE Standard time code, compatible with a monochromatic frame rate of 30 frames per second
- SMPTE DROP FRAME** SMPTE Standard Drop Frame time code, compatible with a color frame rate of 29.97 frames per second
- EBU** Compatible with the European broadcast standard frame rate of 25 frames per second
- FILM** Compatible with frame rates of 24 frames per second.

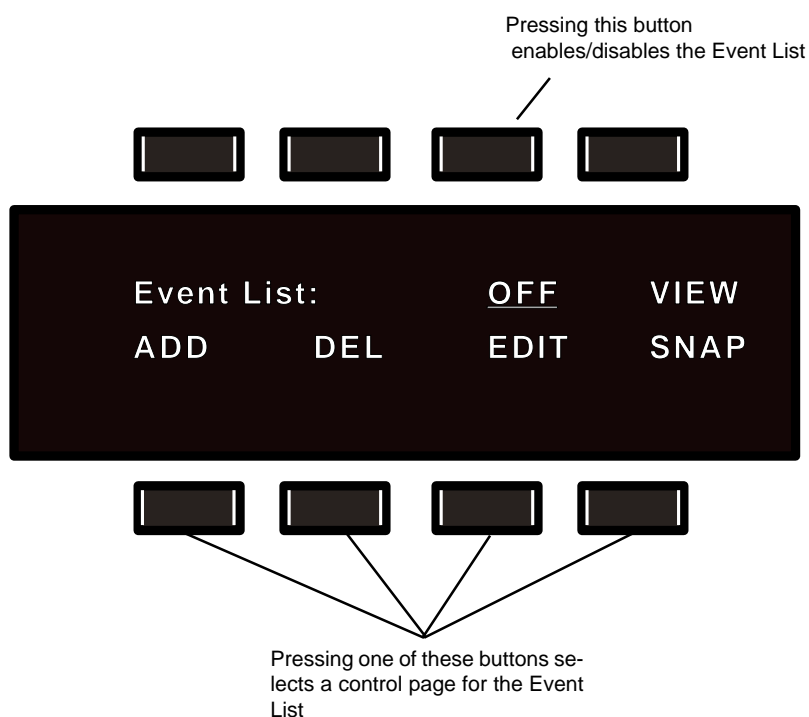
The 300 allows you to use time code (in any of the recognized formats) to trigger Setup, Effect, and parameter changes.

Up to 50 time code entries can be made on an Event List. Time codes can be entered via the numeric keypad, they can be "snapped" on the fly while time code is running, or they can be selected with the soft knob.

To access the Event List simply press the front panel CONTROL button to enter Control mode, then use the Page Down button to step to the Event List display:

## The Event List

### Using time code to initiate program changes

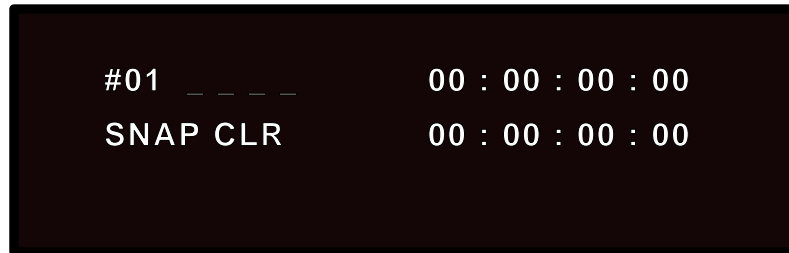


Pressing the second button from the right on the top row allows you to choose to have a Timecode Event list enabled (ON) or disabled (OFF).

Pressing any of the bottom row of buttons selects a page of controls for the item displayed directly above that button. Four pages are available for: addition of events to the list (ADD), deletion of items from the list (DEL), modification of entries (EDIT), and "on the fly" insertion of items to the list (SNAP).

The 300 automatically sorts the Event List based on the time code addresses. If you add a new event it will be placed on the list at the appropriate place, and other entries will move in position. If you delete an entry, the remaining entries will retain their relative positions, but will move up one position.

**Snapping events** The easiest way to develop a list in the 300 is to “SNAP” entries into the list. To use the snap function, select OFF and turn the Soft knob to enable time code (ON). Locate the source machine to the beginning of the section you want to experiment with. Give yourself about a 5 second preroll and “roll tape”. Now, press SNAP. The display should show rolling time code.



The number displayed in the upper left portion of the display indicates the event number which you are about to snap. Simply press the key directly below “SNAP” wherever you want effect changes to happen. This will assign those time code addresses to the Event List.

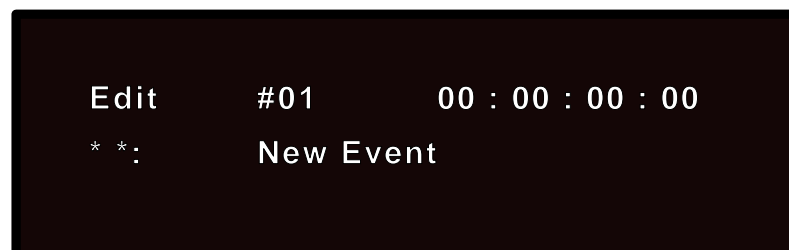
The upper right portion of the display shows running time code. The lower line of the display shows the time code of the most recently snapped entry, and allows you to clear the most recently snapped time code.

Time code formats are indicated as follows:

SV valid SMPTE Non-Drop  
 SDV valid SMPTE Drop Frame  
 E-V valid EBU  
 F-V valid Film  
 V indicates valid time code

**Editing the Event List** Editing the list includes *trimming* snapped time codes, choosing the *type of automation change*, and *selecting the event*. The EDIT function also allows you to enter time code numbers directly into the list rather than snapping them. To edit the event list, press the key directly below “EDIT”. The display will show:

Pressing the key directly above “#01” allows you to use the Soft knob to scroll through the Event List to select the event number you want to edit. You will obviously want to start with number one.



Press the key directly beneath “\*\*\*”. Use the Soft knob to select the automation type. Turn the Soft knob clockwise or counterclockwise to cause the letter S to appear.

The first entry must be a Setup (S). Other available types of Automation are:  
 Setup changes (S)  
 Effect changes Mach A (EA)  
 Effect changes Mach B (EB) — only available if a “split” setup is running  
 Parameter Glide Mach A (PA)  
 Parameter Glide Mach B (PB) — only available if a “split” setup is running  
 Parameter Glide Setup (PS)

Now, press the key under “P101”. You can now use the Soft knob to scroll through the entire list of setups, including any Setup registers which you might have stored. (Remember, the first entry *must* be a Setup.) Once you decide which Setup you want to start the list, press STORE. Your first event has all the necessary elements: a time code address, the type of automation change, and the event to which it changes.

To move on to edit #2, press the key directly above “01”, then turn the Soft knob one “tick”.

Once you’ve got the list edited, and want to test a portion of it, press CNTRL. This will bring you back to the main time code menu. Locate the time code source machine to the top of the production piece. Give yourself a 5 second preroll.

\*NOTE: Your first Event (Edit #1) should occur before first picture or music. You may have to trim edit the first event to reflect this — After all, you really don’t want the 300 cueing up the first Setup while music or dialog is passing through the box.

From Edit mode, select the 8-digit time code number by pressing either of the two keys above the time code entry. Use the Soft knob to increase or decrease the time code value. Usually, when first using time code automation, your first event will need to be trimmed up several seconds to allow the first Setup to load before audio, as explained above. Turn the Soft knob counter-clockwise. When the correct number is displayed, press STORE.

### **Trimming Time Codes in the Event List**

Press CNTRL to return to the main time code menu. Press VIEW. If you’ve given yourself the correct “pre-roll”, roll tape. The 300 should display time code and all subsequent events which you have programmed into the Event List.

### Programming Parameter Glides

Parameter glides can be a very powerful feature. When you select a parameter glide (PA, PB, or PS) as type of automation change, the display will update and display three entries; Parameter Selection (RTIM, PDLY, DLY1, FBK1...), final parameter value (12.5s, 125m, 225m, 45%...), and the frame duration (25Fr) of the glide. The keys beneath each display entry allow you to select the function for Soft knob programming of the parameter glides.

All parameter glides are based on the current Setup and effect which loaded.

#### Example:

Let's say at the end of a scene, we want the Reverb Time to increase from its preset value to 15 seconds. We want this glide to take 100 frames. At the same time, we want the Input parameter to glide from its Setup value to OFF over the same amount of time.

Suppose the current Setup and Effect is *Dance Hall*, then all of the parameters in the Setup and effect can be glided.

The Event List up to the glide might look something like this:

```

Edit      #01      00 : 59 : 27 : 00
S:        Large Hall

```

```

Edit      #02      01 : 00 : 15 : 00
S:        Dance Hall

```

```

Edit      #03      01 : 00 : 21 : 07
* * *
        
New Event

```

You will need to make a copy of event 03 (because you want 2 parameter glides) into the list, then edit both entries.

From the main time code menu, select "ADD". Now select the edit event number by pressing the key directly above "#". Use the Soft knob to select "#3", then press STORE. This makes a complete copy of event # 3 and places it into slot #4. Note that Event #3 and Event #4 now have the same time code address.

PRESS CNTRL to return to the main time code menu.

Press EDIT, then select Edit #3. Now, press the key directly below "" and use the Soft knob to program PA:(parameter,Machine A).

Press the next button to the right to use the Soft knob to program the actual parameter. Turn the Soft knob until the "RTIM" is displayed.

Press the next button to the right to use the Soft knob to select the final reverb time. Adjust the value as close to 15 seconds as possible.

Finally, press the next button to the right. Turn the Soft knob clockwise to enter frame duration values. (100 Fr will equal approximately 3 seconds.)

Press STORE. Event #3 should look like this:

```

Edit      #03      01 : 00 : 21 : 05
PA:      RTIM->14.1s 100Fr

```

Press the key directly above "#", and repeat the above steps so that the display looks like this:

```

Edit      #04      01 : 00 : 21 : 05
PS:      ALVL->Off 100Fr

```

Parameter glides which have been programmed into the Event List will be viewed singly, as the event happens. If you are VIEWing two or more glides which happen to be programmed for the same time code (as in the example above), only the last entry will be displayed.

**Things to Consider  
About Glides**

All parameter glides are based on the effect loaded in the list immediately preceding the glide. For example, let's say that *Medium Hall* is Event Edit #4 and Event Edit #5 specifies PA RTIM moving to a value of 3.8s, with a duration of 007 Frames.

**Q** What happens if you change Event #4 from *Medium Hall* to *Vox Chorus*?

```

Edit      #04      00 : 59 : 27 : 00
S:        VoxChorus

```

```

Edit      #05      01 : 00 : 21 : 05
PA:       GLD-> +Ma4   100Fr

```

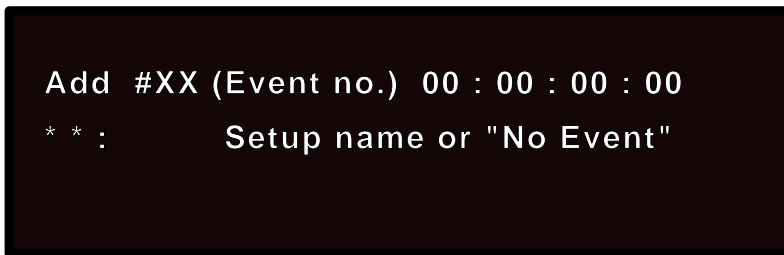
**A** Event #5 is now being driven by an algorithm which does not *have* RTIM as a selectable parameter and which cannot, therefore, have a final parameter value. New values will be automatically placed there based on the selected algorithm's available parameters.

The proper thing to do is to *delete Event #5*.



Once you have created an Event List, you can also modify it by adding effect changes. Select ADD. The display will show:

### Adding an event

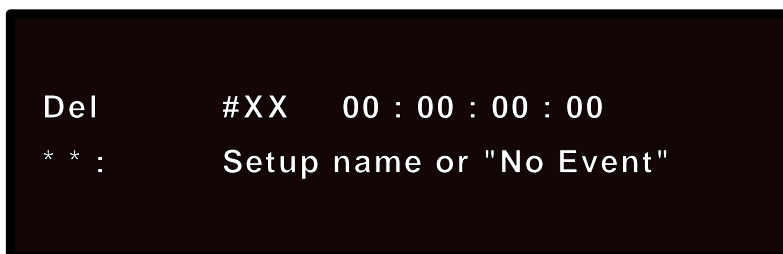


The ADD function is used in two different ways. To duplicate an event, press the button directly above the Event number field and use the Soft knob to scroll to the event that you want to copy. When you press STORE, the event will be copied. (The copy will be placed directly after the original on the list.) To edit the event effect, return to the main Time Code menu (by pressing CONTROL), then press the button directly above "EDIT".

The second way to use the ADD function allows you to edit an existing event and add the edited version as a new event in the list. To do this, press the button directly above the event number, and use the Soft knob to scroll to the event you want to start with. Now select the effect number, or the time code field, by pressing the button directly above these display choices, and change the values as needed. Each time you alter a time code entry, press ENTER. When you have made all the changes you want, press STORE and the modified events will be added to the list.

To delete an entry from the Event List, select DEL. The display will show:

### Deleting an event



Selecting #XX allows soft knob selection from among the Event List entry numbers (1-50). The time code associated with the event number is displayed to the right. Press the key directly above "Del" to delete any event number from the list. Note that if an entry number is deleted from the list, all subsequent entries will move up on the list.

The Event List can be transferred via MIDI data dump via the MIDI Control page in Control Mode.

### Dumping the list to MIDI storage devices

# 300 Event List

Event				Effect		Comment
#	Time Code			#	Name	
1	:	:	:			
2	:	:	:			
3	:	:	:			
4	:	:	:			
5	:	:	:			
6	:	:	:			
7	:	:	:			
8	:	:	:			
9	:	:	:			
10	:	:	:			
11	:	:	:			
12	:	:	:			
13	:	:	:			
14	:	:	:			
15	:	:	:			
16	:	:	:			
17	:	:	:			
18	:	:	:			
19	:	:	:			
20	:	:	:			
21	:	:	:			
22	:	:	:			
23	:	:	:			
24	:	:	:			
25	:	:	:			
26	:	:	:			
27	:	:	:			
28	:	:	:			
29	:	:	:			
30	:	:	:			
31	:	:	:			
32	:	:	:			
33	:	:	:			
34	:	:	:			
35	:	:	:			
36	:	:	:			
37	:	:	:			
38	:	:	:			
39	:	:	:			
40	:	:	:			
41	:	:	:			
42	:	:	:			
43	:	:	:			
44	:	:	:			
45	:	:	:			
46	:	:	:			
47	:	:	:			
48	:	:	:			
49	:	:	:			
50	:	:	:			



The 300 contains innovative MIDI features that exemplify Lexicon's commitment to using the power of MIDI to provide new functions to our users. In the 300 most of these functions fall into one of four categories:

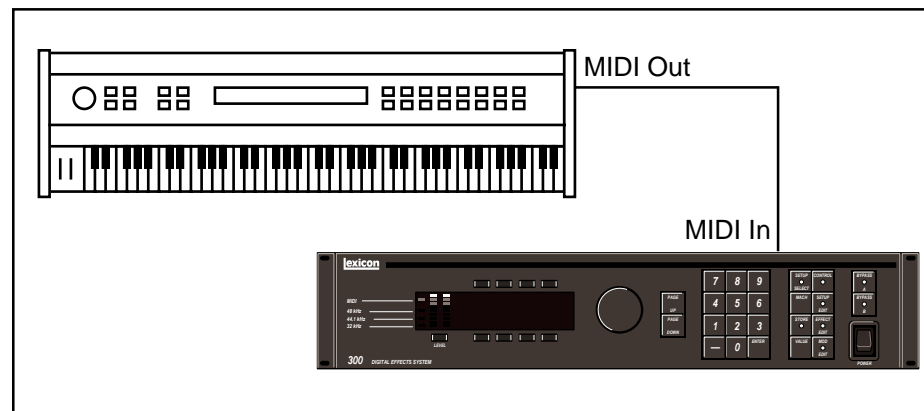
1. Real-time (Dynamic MIDI®) control of as many as ten of the 300's variable parameters simultaneously. Two Setup patches can run on the channel specified for System changes, and each machine can have four patches on a user-designated channel.
2. Automatic selection of a 300 effect via MIDI Program Change messages.
3. Real-time effects automation using MIDI System Exclusive or Non-registered parameters.
4. Transfer of setups, effects, the Event List and corresponding MIDI table to a computer, other MIDI-compatible device, or to another 300.

Each of these applications will be discussed in this chapter, but first, let's cover some typical installations.

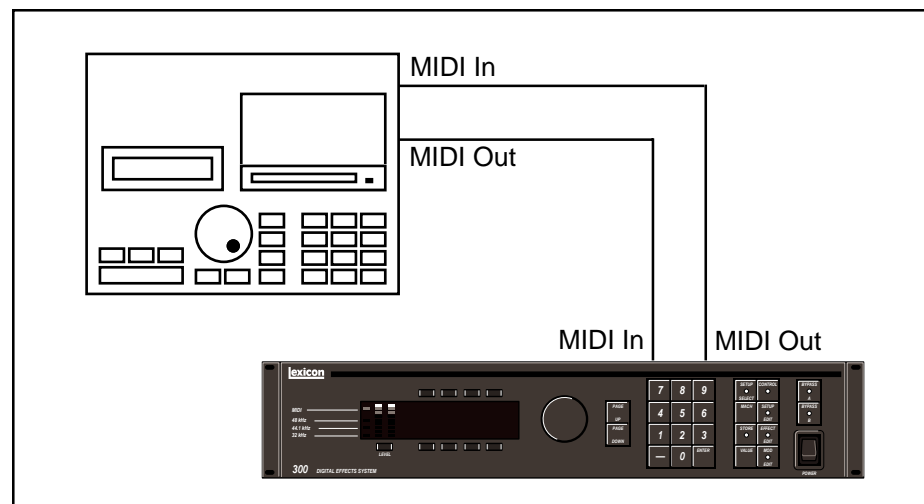
### MIDI Connections

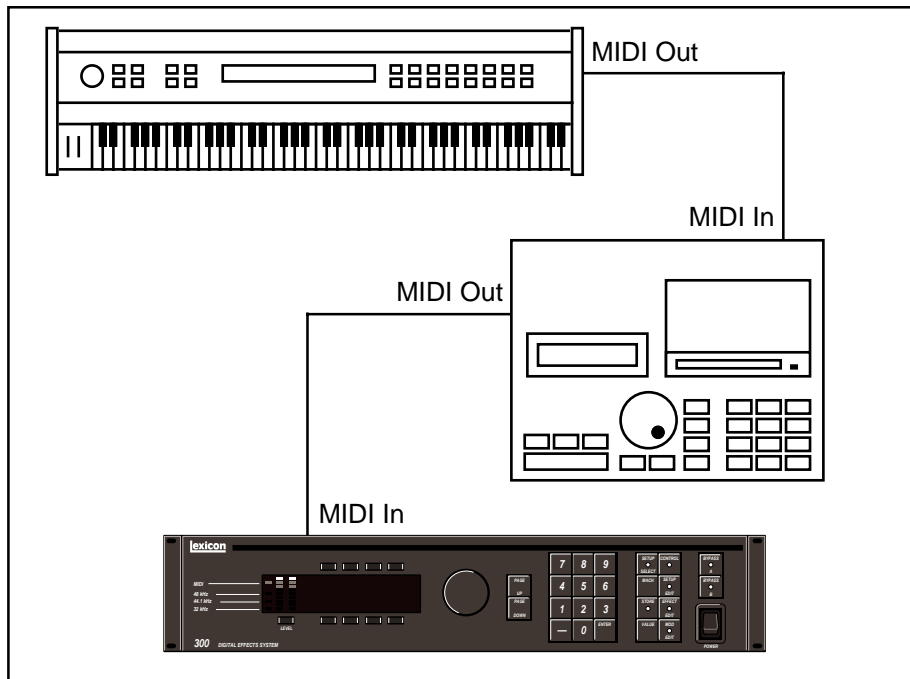
All MIDI connections described in this chapter use the MIDI IN, OUT and THRU connectors located on the rear panel of the 300. As with any MIDI connection, use only standard MIDI cables, and keep them as short as possible to avoid possible data errors. Fifteen meters is generally accepted as the maximum length that should be used to maintain data integrity.

*300 with keyboard*



*300 with sequencer/computer*

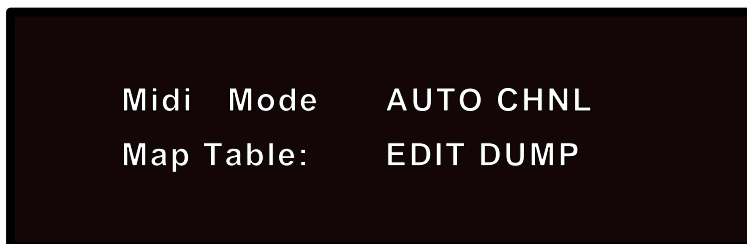




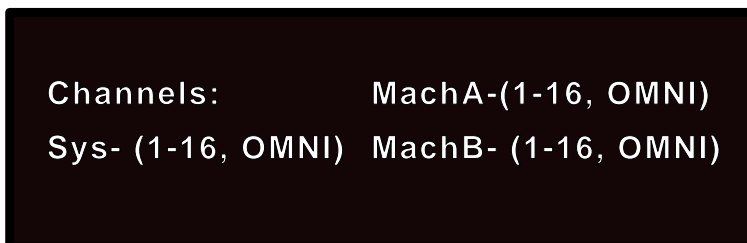
*300 with sequencer/computer and keyboard*

The 300 can receive MIDI information on two independent channels: one for SysEx and Dump messages, and one for Program Change and Dynamic MIDI® patches. MIDI Channel assignments are made in Control mode. To select this function, press CONTROL and use the PAGE UP/DOWN keys to display the MIDI control page.

### Setting MIDI Channels



Pressing the button above "CHNL" will cause the following display to appear:



Press either of the left hand buttons in the lower row to select the MIDI Channel for SysEx system and effect changes. Setup patch channel assignments are also set here. Press either of the right hand buttons in the Upper row to select the MIDI Channel for Dynamic MIDI® parameter changes for Machine A. Press either of the righthand buttons in the lower row for Machine B. (All selections may, of course, be set to the same channel.)

## Dynamic MIDI®

Dynamic MIDI® allows you to patch virtually any MIDI controller to any effect parameter in the 300. Mod Edit mode is used to create or modify Dynamic MIDI® patches.

To use Dynamic MIDI®, you assign a MIDI controller or an event to a setup parameter or to an effect parameter, using the patch parameters found on the pages in Mod Edit. (Two pages for setup patches are available in Setup Edit mode.) Four parameter patch pages are available at any one time in Mod Edit mode. These pages will be for Machine A or Machine B, depending on the type of setup currently running, and on the machine currently selected.

Each of the four patch pages available for each machine shows the following parameters:

- Off
- Cntrl- 0
- ModWheel
- Breath
- Cntrl-3
- FootPedal
- PortaTime
- Volume
- Cntrl-9
- Pan
- Expression
- Cntrl-12-15
- GP Cntrl-1-4
- Cntrl-20-31
- Sustain
- PortaSw
- SostenSw
- SoftPedal
- Switch-68-79
- GP Cntrl-5-8
- Sitch-84-95
- PitchWheel
- AfterTouch
- LastNote
- LastVel
- MidiClock
- Knob->
- L-Meter
- R-Meter
- LFO-1

Available "Source" selections

Patch # 1A	DEST	VALUE
SOURCE	THRS	SCALE

**Destination:** This is used to select the effect parameter that the MIDI controller is patched to. The available parameters are based on the algorithm that you are currently running.

**Value:** This is used to set the initial value of the parameter that you are controlling. This is provided as a convenience so that you do not have to go into Effect Edit mode to view the available parameters of the running algorithm.

**Source:** This is used to select the MIDI controller, or event, that will control an effect parameter in the 300. The list contains the selections shown to the left.

**Threshold:** This is used to set the point below which controller values will not have an effect on the parameter.

**Scale:** This is used to set the effective control range of the MIDI controller. Scaling can be set from -200% to +200%. When Scale is set to 100%, the full range of the MIDI controller will correspond to the full range of the selected Destination parameter. Setting a negative value will cause the 300 to reduce the setting of the parameter as the controller increases.

You can store any patches you create with the Effect simply by pressing STORE, selecting a register number with the Soft knob, and then pressing STORE again.

**Note: Be extremely careful when creating patches while a MIDI device is connected. If you accidentally send a MIDI Program Change before saving the patches in a register, they will be lost. To avoid this possibility, you may want to set the MIDI Master Channel (in Control Mode) to OFF, or unplug the MIDI cable from the 300's rear-panel MIDI IN connector.**

The 300 provides two different methods for using MIDI Program Change messages. These functions are accessed in Control mode (selected by pressing CONTROL). From Control mode, use the PAGE UP/DOWN keys to select the MIDI Control page and press the key directly beneath "EDIT".

## Using MIDI Program Change messages with the 300

MIDI Table mode has three selections: OFF, FIX and MAP.

### MIDI Table mode

OFF sets the 300 to ignore all incoming Program Change messages.

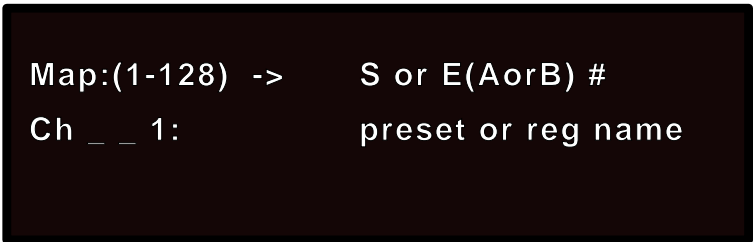
If you are in the FIX mode, *and are transmitting on the System channel*, Program Change messages 0-99 will select 300 Setup Presets P1-P100; Program Change messages 100-127 will select the first 28 Setup Registers (R1-R28). Note that R29-R50 are *not* accessible to the MIDI Program Change mechanism. Setup changes will take precedence over Effect changes.

In FIX mode, if you are transmitting on channels assigned to Machine A and B *which are different from the System channel number*, Setup changes will be ignored. For each Machine, Program Change messages 0-99 will select Effect Presets P1-P100; Program Change messages 100-127 will select Effect Registers R1-R28. *Only effects which are legal for the setup will be selected.* Illegal effects will be ignored (the currently running effect will not change.) An error message will be displayed.

You will quickly discover that a fixed relationship between MIDI Program Changes and the 300's preset and register numbers is not very convenient. Changing the presets in a synth, or the registers in the 300, is not all that easy when you have to arrange everything so that MIDI Program Changes have the desired effect. To solve this problem, the 300 has a corresponding map table which is used when the MIDI Table mode is set to MAP. In this mode, program changes are transmitted on the *System* channel you have assigned. Setups, effects for Machine A and effects for Machine B can be mapped to any program change message. Dealing with MIDI Program Changes becomes much easier since you can completely rearrange the relationship of MIDI Program Change numbers to the 300's registers and presets in minutes.

To assign Program Change messages to presets or setup registers, call up the MIDI Control page (from Control mode), and press the button directly below "EDIT".

### Editing the MIDI Table



```
Map:(1-128) -> S or E(AorB) #
Ch __ 1: preset or reg name
```

Press either the first or second button on the top line, and use the Soft knob to select the MIDI Program Change number you want to use. The third button on the top line allows you to select S (Setup), EA (Effect A) or EB (Effect B). The rightmost button allows Soft knob selection of the setup or effect preset or register number you want loaded by the Program Change number displayed on the top line. Continue this procedure until the table contains all of the entries you need.

## Real-time MIDI Effects Automation

The 300 can be automated in a number of different ways, depending on your applications, and on the capabilities of your MIDI sequencer.

The six major categories of MIDI Automation are:

1. Using the 300's System Exclusive transmissions to record and play individual parameter changes.
2. Using the 300's Non-Registered Parameter transmissions to record and play individual parameter changes.
3. Using MIDI Program Change messages to load Setups or Effects.
4. Using MIDI Controller information and Dynamic MIDI<sup>®</sup> patches to record and play parameter changes.
5. Using the 300's System Exclusive or Non-Registered Parameter messages that are the result of Dynamic MIDI<sup>®</sup> patches. This allows you to control, record, and play as many as five of the 300's variable parameters simultaneously.
6. Controlling multiple 300s from a single master 300.

When using the 300's Automation capabilities, it is good practice to put the 300 on a different MIDI Channel from those used by other equipment in your system. This avoids the possibility of the 300 responding to commands that aren't really intended for it.

## Using Real-time SysEx and Non-Registered Parameters

The 300 will transmit System Exclusive or Non-Registered Parameter messages as you vary any of the available parameters if this function is assigned in automation mode. As you turn the Soft knob to vary one of the 300's effect parameters, MIDI data in the selected output format will be transmitted from the 300's rear panel MIDI OUT connector as a Program Change. (All parameter values are sent when the effect itself is changed.) This information can be recorded on your sequencer.

To set the automation mode, use the MIDI Control page in Control mode. Press the key under "AUTO", and use the Soft knob to select either "SysEx" or "Non-registered Params". There is also an "OFF" setting to prevent unwanted MIDI transmissions.

Once you have selected an automation mode, simply put your sequencer into Record, and change the 300's parameters to get the sounds you want. When you play the sequence back, the 300 will respond to the recorded information just as it was recorded.

**Note:** The choice between SysEx or Non-Registered Parameters is determined by your sequencer's capabilities, and your current utilization of its available functions. With a bit of experimentation, and taking into consideration other MIDI data you need to record, you can find the best combination for your equipment.

**Note:** Program Change messages are transmitted over the PARAM MIDI channel, regardless of automation mode.



Some sequencers cannot record SysEx or Non-Registered Parameter information. In this case, you can use Dynamic MIDI® patches and record the MIDI Controller information used to get the real-time effect changes you want. Simply create the patches you want, and record the Controller information on your sequencer. When the sequence is played back, the 300's Dynamic MIDI® patches will respond to the recorded Controller commands.

This type of operation gives the best of all the 300's MIDI capabilities. As previously described, create the patches you want. Set the 300 to one of the Automation modes. Put your sequencer into Record, and use the MIDI Controllers to create the effect parameter changes you need. As you change the effect parameters, the 300 will transmit information to your sequencer in the format you have chosen (System Exclusive or Non-registered Parameters). This allows you to control and record as many as five parameters simultaneously. Again, when you play back the sequence, the 300 will respond just as the changes were recorded.

In applications that require more than one 300 to work together, you can use one 300 as a master, and slave as many 300s as you need to the master. This is done by connecting the MIDI OUT of the master machine to the MIDI IN of the first slave, then connecting the MIDI THRU of the first slave to the next slave, and so on.

Set the Automation mode on all machines to the same setting, and make sure that all machines are operating on the same MIDI Channel.

To see the results, select an effect from the master machine, then put all of the machines in Effect Edit mode — displaying the same page. When you turn the soft knob on the master machine, all of the slaves will respond to the command. Note that, even if the displays are set to different pages on the various slave machines, the parameter changes are still taking place.

Note: If master and slave machines have different input sources, i.e. a mix of analog and digital, effect changes will not work in SysEx and Non-Registered Parameter modes.

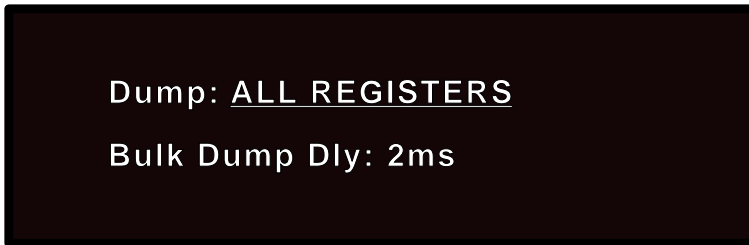
### **Using Dynamic MIDI® to transmit and receive MIDI Controller Information**

### **Using SysEx and Dynamic MIDI® Patches**

### **Controlling Multiple 300s**

### **MIDI Dumps of Current Setup, Event List, MIDI Table, and All Registers**

Go to the MIDI page in Control mode and select "DUMP": The following display will appear:



Pressing any of the buttons in the top row will allow Soft knob selection of the type of dump you want: All Registers, Current Setup, MIDI Map Table, or MTC Event List.

Pressing any of the buttons on the bottom row allow Softknob selection of pre-dump delay of 2ms, 50ms, 100ms or 200ms.

Once you have made the selections you want here, press STORE to send this MIDI information. Please note that some dumps will take longer than others, depending on the amount of information to be passed.

# 8

---

## Troubleshooting

**Troubleshooting** This chapter is intended primarily to help you recognize some common error states which can be corrected from the 300 front panel, or by simple means such as cable replacement. Any error states which are not covered here should be referred to your local dealer for service by a qualified technician.

**Low Voltage** In a low-voltage, or "brown-out" condition, the 300 will freeze in its current state. None of the controls will have any effect. When power returns to a normal level the unit will reset itself as though it had just been powered on. If the unit does not reset itself, turn the power OFF, then ON to resume normal operation.

**Overheating** Temperature extremes may cause the 300 to exhibit unpredictable behavior. If the unit has been subjected to temperatures below 32°F (0°C) or above 95°F (35°C), it should be turned off and allowed to return to normal temperature before use. The unit may be damaged by exposure to temperatures below -22°F (-30°C) or above 167°F (75°C), or by exposure to humidity in excess of 95%. If a unit exposed to such conditions fails to operate after it returns to a normal operating temperature, contact your local service representative.

**Common MIDI Problems** *The 300 doesn't respond to MIDI Program Changes.*  
Check the PARAM MIDI channel on the MIDI Control page in Control mode and check the Table Mode setting on the same page. The Table Mode should be set to FIX or TABLE. Also check MIDI In/Out connections between the units.

*The 300 doesn't respond to Controller messages when using Dynamic MIDI®.*

Check the PARAM MIDI Channel number on the MIDI Control page in Control mode and check the patches in MOD Edit mode. Also check MIDI In/Out connections between the units.

*The 300 doesn't respond to SysEx commands.*

Check the SYSTEM MIDI Channel on the MIDI Control page in Control mode.

*The 300 does not send MIDI parameter changes.*

Check the Automation mode on the MIDI Control page in Control mode. This should be set to SYS EX or NON-REGISTERED PARAMS.

## Common Time Code Problems

***The 300 does not change effects to incoming time code.***

Check your cable connections and the setting of the Event List mode in Control mode. Also check the signal level of the incoming time code. If it is too low, the 300 may not respond.

***The 300 will not lock to the incoming time code.***

Check the signal level of the incoming time code. If the level is too high or too low, the 300 may not lock to the signal. Also check the wiring of the time code cable. The time code input on the 300 is electronically balanced and, if the cable is not wired with this in mind, the 300 may not lock to the signal.

***The 300 changes effects too late.***

Trim the time code values using the Edit function on the Time Code Event List page in Control mode.

***The 300 will not lock onto an incoming digital signal.***

Check the cables that you are using. If the signal is coming in through the RCA connector, cable length must be kept to a minimum. If you are using the XLR input, remember that this is a transformer-balanced input, and the cable must be wired with this in mind. **DO NOT USE ANALOG AUDIO CABLE TO CONNECT DIGITAL AUDIO.**

## Common Digital Interfacing Problems

***When using the ANA+DIG input mode, there is no audio output.***

If you are using this mode and you are not sending a digital signal to the 300, audio may not pass through the system. To correct this, choose the ANALOG mode, or enter Effect Edit mode and turn the digital input level all the way down.

***The meters do not show any incoming signal.***

The meters may be set to read the wrong inputs. Use the Meter page in Setup Edit mode to select the inputs you are using.

## **MIDI Implementation Chart**

MIDI Implementation Details are available to assist experienced programmers in developing software for use with the 300. These can be obtained from your dealer, or directly from Lexicon. Request: Model 300 MIDI Implementation Details.

## MIDI Implementation Chart

Lexicon 300  
Digital Effects System

Version: 3.0

Function		Transmitted	Recognized	Remarks
Basic Channel	Default Channel	1 1-16, OMNI	1 1-16, OMNI	Mach A, Mach B, and System on separate channels; Memorized
Mode	Default Messages Altered		Mode 1, 3	
Note Number	True Voice	X	0 - 127	Used as controller
Velocity	Note ON Note OFF	X X	O v=1-127 X	Used as controller
After Touch	Keys Channels	X X	X X	
Pitch Bender		X	O	MSB only
Control Change	0-95	X	OX 0-99	Controllers can be patched to control effects parameters
	96	OX	OX	Data Increment
	97	OX	OX	Data Decrement
	98	OX	O	N-RPN
	99	OX	O	N-RPN
Program Change	True #	O	O 0 - 127 O 0 - 127	
System Exclusive		O	O	
System Common	:Song Pos :Song Sel :Tune	X X X	X X X	
System Real Time	:Clock :Commands	X X	O X	as Controller
Aux Messages	:Local ON/OFF :All Notes OFF :Active Sense :Reset	X X X X	X X X X	
Notes	If Channel is set to OFF, 300 will not recognize any messages			

Mode 1: OMNI ON, POLY  
Mode 3: OMNI OFF, POLY

Mode 2: OMNI ON, MONO  
Mode 4: OMNI OFF, MONO

**O : Yes**  
**X : No**

# 10

---

300 Specifications



## 300 Specifications

### Audio Input and A/D Conversion

<b>Input Channels (2)</b>	Balanced XLR, pin 2 "high"
<b>Input Impedance</b>	50k $\Omega$ , unbalanced; 100k $\Omega$ , balanced
<b>Full Scale Input Level</b>	Gain switch in 0dB position: +2dBu minimum; +20dBu maximum Gain switch in +16dB position: -14dBu minimum; +4dBu maximum
<b>Common Mode Rejection</b>	DC to 2kHz: 60dB minimum; 2kHz to 20kHz: 40dB minimum
<b>Frequency Response</b>	48kHz sample rate: 10Hz to 21.5kHz, $\pm 0.2$ dB 44.1kHz sample rate: 10Hz to 20kHz, $\pm 0.2$ dB 32kHz sample rate: 10Hz to 14.5kHz, $\pm 0.2$ dB
<b>Phase Linearity</b>	$\pm 5$ degrees, 10Hz to 20kHz
<b>Delay</b>	(Frequency Independent) From Analog Input to Digital Output: 0.75mS
<b>Crosstalk</b>	80dB maximum, 10Hz to 20kHz
<b>Signal to Noise Ratio</b>	90dB minimum, A-weighted
<b>Total Harmonic Distortion</b>	0.01% maximum, 10Hz to 20kHz
<b>SMPTE Intermodulation Distortion</b>	0.01% maximum
<b>Dynamic Range</b>	90dB minimum
<b>Pre-emphasis</b>	15 $\mu$ s ( $\pm 0.9\mu$ s) and 50 $\mu$ s ( $\pm 3\mu$ s)
<b>Gain Control</b>	20dB in 0.1dB increments

### D/A Conversion and Analog Output

<b>Output Channels (2)</b>	Balanced XLR, pin 2 "high"
<b>Output Impedance</b>	75 $\Omega$
<b>Full Scale Output Level</b>	-2dBu to +18dBu
<b>Frequency Response</b>	48kHz sample rate: 10Hz to 21.5kHz, $\pm 0.2$ dB 44.1kHz sample rate: 10Hz to 20kHz, $\pm 0.2$ dB 32kHz sample rate: 10Hz to 14.5kHz, $\pm 0.2$ dB
<b>Phase Linearity</b>	$\pm 5$ degrees, 10Hz to 20kHz
<b>Delay</b>	(Frequency Independent) From Digital Input to Analog Output: 1.8mS
<b>Crosstalk</b>	90dB maximum, 10Hz to 20kHz
<b>Signal-to-Noise Ratio</b>	100dB minimum, A weighted
<b>Total Harmonic Distortion</b>	0.01% maximum, 10Hz to 20kHz
<b>SMPTE Intermodulation Distortion</b>	0.01% maximum
<b>Dynamic Range</b>	90dB minimum
<b>De-emphasis</b>	15 $\mu$ s ( $\pm 0.9\mu$ s) and 50 $\mu$ s ( $\pm 3\mu$ s)
<b>Gain Control</b>	20dB in 0.1dB increments

Unless otherwise specified, specifications presume 48kHz sample rate, Emphasis off, Gain switch at 0dB, and Gain Control at unity (0dB)

		<b>Analog Input to Analog Output (48kHz sampling rate)</b>
48kHz sample rate: 10Hz tp 21.5kHz, $\pm 0.2$ dB		<b>Frequency Response</b>
80dB maximum, 10Hz to 20kHz		<b>Crosstalk</b>
90dB minimum, A-weighted		<b>Signal-to-Noise Ratio</b>
0.01% maximum, 10Hz to 20kHz		<b>Total Harmonic Distortion</b>
0.01% maximum		<b>SMPTE Intermodulation Distortion</b>
90dB minimum		<b>Dynamic Range</b>
		<b>Digital Audio Interfaces</b>
Balanced female XLR digital input; Balanced male XLR digital output Conforms to both the AES ANSI S4.40-1985 spec and the EBU doc tech 3250. Both input and output are transformer-coupled. Input/output levels and impedance comply with CCITT V.11 EIA-422A specification.		<b>AES/EBU professional digital audio interface</b>
Unbalanced coaxial "RCA" type digital input and output; SPDIF compatible Optical (fiber optic) type digital input and output		<b>EIAJ CP-340/SPDIF consumer digital audio interface</b>
Master: 48kHz $\pm$ 5Hz      Slave: 42 kHz to 50kHz 44.1 kHz $\pm$ 5Hz              32kHz $\pm$ 5%		<b>Sample Frequency</b>
		<b>Control Interfaces</b>
Balanced female XLR, EIA-422 input, 100mV p-p minimum. Formats supported::		<b>Time Code Input</b>
	<u>Speed Range</u>	
SMPTE (Drop or Non-drop)	0.75 to 1.18	
EBU	0.80 to 1.33	
Film	0.82 to 1.33	
5-pin DIN connectors provided for MIDI IN, MIDI OUT, and MIDI THRU		<b>MIDI Interface</b>
		<b>General</b>
19.0"W x3.5"H x13.6"D (483x89x346mm) 19" rack mount standard, 2U high		<b>Dimensions</b>
Net weight:18.9 lbs (8.6 kg)		<b>Weight</b>
Shipping weight: 24.5 lbs (11.1 kg)		
100/120/220/240 VAC (-10%, +5%) 50-60 Hz		<b>Power Requirements</b>
3-pin IEC power connector		
75 VA maximum		<b>Power Consumption</b>
Operating Temperature: 32° to 95°F (0° to 35° C)		<b>Environment</b>
Storage Temperature: -22° to 167°F (-30° to 75°C)		
Humidity: 95% max without condensation		
Two lines of 20 alphanumeric characters each		<b>Front Panel Display</b>
Level	Soft Knob	Bypass A and B
8 soft buttons for parameter selection and adjustment	Numeric Keypad for data entry	Power Switch
	Edit Keypad	
		CLA approval
		<b>Safety Approvals</b>

Specifications subject to change without notice.

Lexicon Inc.  
3 Oak Park  
Bedford, MA 01730 USA  
Tel 781-280-0300  
Fax 781-280-0499

Lexicon Part #070-09678